

HOPPP

HO7124

HO7224

CE

Swing gate opener



EN - Instructions and warnings for installation and use

IT - Istruzioni ed avvertenze per l'installazione e l'uso

FR - Instructions et avertissements pour l'installation et l'utilisation

ES - Instrucciones y advertencias para la instalación y el uso

DE - Installierungs-und Gebrauchsanleitungen und Hinweise

PL - Instrukcje i ostrzeżenia do instalacji i użytkowania

NL - Aanwijzingen en aanbevelingen voor installatie en gebruik

Nice

Contents

1 - WARNINGS AND GENERAL PRECAUTIONS	1
1.1 - Safety warnings	1
1.2 - Installation warnings	1
1.3 - Operation warnings	1
2 - PRODUCT DESCRIPTION AND INTENDED USE	1
3 - INSTALLATION	2
3.1 - Preliminary installation checks	2
3.2 - Application limits	2
3.3 - Preliminary installation set-up work	2
3.4 - Installation of gearmotor mod. HO7124 - HO7224	2
3.5 - Mechanical limit switch adjustment	3
3.6 - Manually releasing and locking the gearmotor	3
4 - ELECTRICAL CONNECTIONS	3
4.1 - Gearmotor electrical connections	3
4.2 - Connection of other devices	3
4.3 - Routing connected devices	3
4.4 - Initial start-up and connection check	4
4.5 - Learning of the connected devices	4
4.6 - Learning the mechanical stop positions	4
4.7 - Gate leaf movement check	5
5 - TESTING AND COMMISSIONING	5
5.1 - Testing	5
5.2 - Commissioning	5
6 - CONTROL PANEL PROGRAMMING	6
6.1 - Level 1 programming (ON-OFF functions)	6
6.2 - Level 2 programming (adjustable parameters)	6
6.3 - Special functions	8
6.4 - Deleting the memory	8
7 - TROUBLESHOOTING... (troubleshooting guide)	9
8 - FURTHER INFORMATION	10
8.1 - Connecting a radio receiver	10
8.2 - Connecting and installing the buffer battery mod. PS124	10
8.3 - Connecting the Oview programmer	11
8.4 - Connecting the solar power system Solemyo	11
8.5 - Connecting the external release system Kio	11
9 - PRODUCT MAINTENANCE	11
PRODUCT DISPOSAL	11
TECHNICAL SPECIFICATIONS OF PRODUCT	12
Product lifetime	13
CE DECLARATION OF CONFORMITY	14
APPENDIX	I
Instructions and warnings for the user	II
Images	IX

1 WARNINGS AND GENERAL PRECAUTIONS

1.1 - Safety warnings

- **IMPORTANT!** – This manual contains important instructions and warnings regarding safety. Incorrect installation may cause serious injury. Before commencing work, all sections of the manual must be read carefully. If in any doubt, suspend installation and call the Nice Support Service for clarification.
- **IMPORTANT!** – This manual contains important instructions. Keep it for future maintenance work and disposal of the product.
- **IMPORTANT!** – Under the latest European legislation, automatic door and gate installations must be compliant with the standards specified in Directive 2006/42/EC (formerly 98/37/EC) (the Machinery Directive) and the standards EN 12445, EN 12453, EN 12635 and EN 13241-1 in particular, which enable conformity of the automated functionality to be declared. **In the light of the above, all work involving installation, connection, testing and maintenance of the product must be carried out exclusively by qualified and competent technicians!**

1.2 - Warnings for installation

- Before commencing the installation, check if the product is suitable for the desired type of use (see "Usage limitation" paragraph 3.2 and the "Product technical specifications"). If it is not suitable, DO NOT continue with the installation.
- The contents of this manual refer to a standard system as described in **fig. 3**.
- **All installation and maintenance work must be carried out with the automation system disconnected from the electricity supply.** If the power disconnection device cannot be seen from where the automation system is positioned, then before starting work a notice must be attached to the disconnection device bearing the words "CAUTION! MAINTENANCE IN PROGRESS".
- The Control unit must be connected to an electricity supply line equipped with protective earthing.
- Handle the product with care during installation, taking care to avoid crushing, denting or dropping it, or contact with liquids of any kind. Keep the product away from sources of heat and naked flames. Failure to observe the above can damage the product, and increase the risk of danger or malfunction. Should this occur, suspend installation work immediately and contact the Nice Support Service.
- Do not modify any part of the product. Prohibited modifications can only lead to malfunctions. The manufacturer declines all responsibility for damage resulting from unauthorized changes made to the product.
- If the gate or door being automated has a pedestrian gate, then the system must include a control device that will inhibit the operation of the motor when the pedestrian gate is open.
- The product's packaging material must be disposed of in full compliance with local regulations.

1.3 - Warnings for use

- The product is not intended for use by persons, including children, with limited physical, sensory or mental capacities, or who lack experience or knowledge, unless supervised or trained in the use of the product by a person responsible for their safety.
- Any children near the automation system must be kept under supervision to ensure that they do not play with it.
- Do not allow children to play with the fixed control devices. Keep remote control devices out of the reach of children.

2 PRODUCT DESCRIPTION AND INTENDED USE

The devices making up this product are intended for use in the automation of gates or doors with swing leaves for residential and industrial applications. **CAUTION!** – Any other use than as specified herein or in environmental conditions other than as stated in this manual is to be considered improper and is strictly prohibited!

The main part of the automation comprises one or two gearmotors (according to the number of leaves to be automated), each equipped with a DC motor and a straight tooth gear reducer. One of the gearmotors (mod. HO7124) is fitted with a control unit that manages operation. The control unit comprises a board with radio receiver, for receiving commands sent by the transmitter. It also has a provision for connection to various devices belonging to the Opera system, the Bluebus system and the Solemyo solar power system; see chapter 8 – Further information. It can house a buffer battery (mod. PS124, optional accessory) which in the event of a power failure guarantees a number of automation manoeuvres in the subsequent hours.

In the event of a power failure, the gate leaves can also be moved by unlocking the gearmotor by means of the special key; see paragraph 3.6. Other accessories available include the receivers with "SM" connector (SMXI, OXI, etc.), see chapter 8 - Further information.

3 INSTALLATION

3.1 - Pre-installation checks

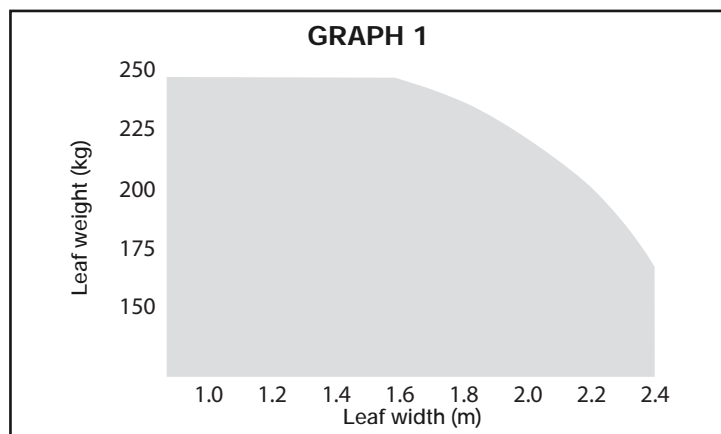
Before going ahead with the installation, check the integrity of the product components, and ensure the model chosen is suitable for its intended use and for the environment in which it is to be installed.

- Check that all the material to be used is in excellent condition and suitable for its intended use.
- Check that the ground-mounted mechanical stops (not supplied), are present both when opening and closing the automation system.
- Check that the mechanical structure of the gate is suitable for the installation of automation and compliant with locally applicable regulations (if necessary, refer to the label on the gate). This product cannot be used to automate a gate which is not already in good, safe working order, neither can it fix faults caused by incorrect installation or poor maintenance of the gate.
- Check that the operating conditions of the devices are compatible with the usage limitation declared (see paragraph 3.2).
- Move the gate leaves manually in both directions and ensure that the resistance to movement is constant at all points of travel (there should not be any points where more force or less is required).
- Bring the gate leaves manually into a position at random, then let go and check that they remain stationary.
- Check that the gearmotor fixing zone is compatible with its overall dimensions (fig. 1).
- Check that the place where the gearmotor is to be installed allows enough space for its arm to execute its full range of movement (fig. 2).
- Check that there is sufficient room around the gearmotor for it to be released manually when required.
- Ensure that the surfaces on which the various devices are to be installed are strong and capable of ensuring a firm hold.
- Ensure that each device is installed in a position which is protected and does not expose it to accidental impacts.
- Ensure that all the electrical cables to be used are the type listed in Table 1.

3.2 - Application limits

Before starting gearmotor installation, perform the following checks:

- ensure that the leaf to be motor-powered remains within the limits specified in Graph 1;
- **maximum** leaf width: **2,4 m** (with weight up to max. 160 kg);
- **maximum** leaf weight: **250 kg** (with width up to max. 1,5 m);
- check limits specified in the table of "Product technical specifications";
- **minimum** width of space for gearmotor installation: **170 mm**;
- The arm fixing bracket must be located in a resistant area of the leaf (for example the frame), to guarantee a solid and safe fixture.



3.3 - Preliminary installation set-up work

Fig. 3 provides an example of an automation system, produced using Nice components (some components may not be present in the kit):

- a - Gearmotor with control unit model HO7124
- b - Gearmotor without control unit model HO7224
- c - Flashing light MLBT
- d - Pair of photocells model MOFB
- e - Digital keypad (mod. MOTB) - Transponder badge reader (mod. MOMB) - Key-operated selector switch (mod. MOSE)
- f - Pair of posts for photocells
- g - Mechanical stop on closing
- h - Electric lock

These parts are positioned according to a typical standard layout. With reference to fig. 3, locate the approximate position for installation of each component envisaged in the system. **Important** – Before installation, prepare the electric cables required for the system, with reference to fig. 4 and "Table 1 - Technical specifications of electric cables".

Caution – When laying the ducting for routing the electrical cables, also take into account that due to possible deposits of water in the routing ducts, the connection pipelines must not create condensate in the control unit, with consequent damage to the electronic circuits.

3.4 - Installation of gearmotor mod. HO7124 - HO7224

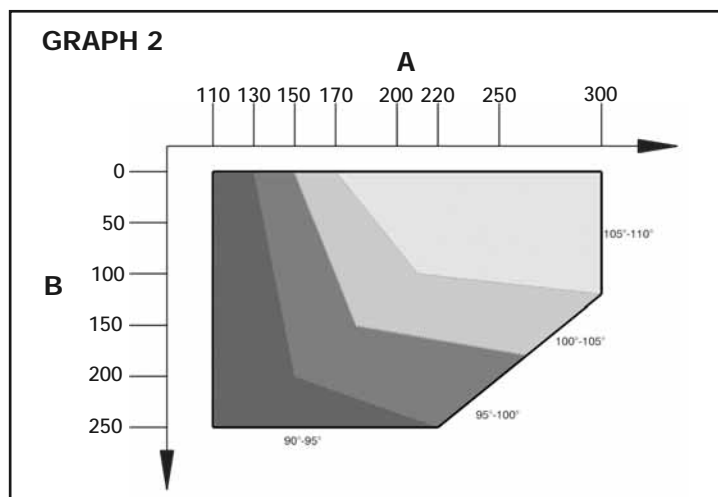
WARNINGS

- **Incorrect installation may cause serious physical injury to those working on or using the system.**
- **Before starting automation assembly, make the preliminary checks as described in paragraphs 3.1 and 3.2.**

01. Measure position "B" (fig. 5);

02. Move the leaf to the maximum required opening position and check that the angle found remains within the values shown on Graph 2;

03. On Graph 2, with value "B" and the opening angle, calculate value "A" (fig. 6). Example: if "B" is 100 mm and the required angle is 100°, value "A" is approx. 180 mm.



- 04. Mount the gearmotor **fixing bracket** on the wall in a horizontal position, as shown in fig. 7: use suitable plugs, screws and washers (not supplied);
- 05. Fix the gearmotor to the previously mounted bracket, as shown in fig. 7-3: use the screw supplied (M4.8x13);
- 06. Then fix the **curved arm** to the straight arm, using the pin and Benzling snap ring (fig. 7-4); fix the leaf fixing bracket to the curved arm, using the pin and Benzling snap ring (fig. 7-4);
- 07. Manually release the gearmotor (fig. 7-6), see paragraph 3.6;
- 08. At this point, determine the zone for fixing the bracket on the gate leaf, setting the gearmotor arms to the maximum extension (fig. 7-7): **it is important to position the bracket at the point furthest from the position of the gearmotor;**

TABLE 1 - Technical specifications of electric cables (fig. 4)

Connection	Cable type	Maximum admissible length
A: CONTROL UNIT POWER SUPPLY cable	1 Cable 3 x 1,5 mm ²	30 m (note 1)
B: ELECTRIC LOCK Cable	1 Cable 2 x 1 mm ²	6 m
C: BLUEBUS DEVICE cable	1 Cable 2 x 0,5 mm ²	20 m (note 2)
D: KEY-OPERATED SELECTOR SWITCH cable	2 cables 2 x 0,5 mm ² (note 3)	50 m
E: GEARMOTOR POWER SUPPLY Cable	1 Cable 3 x 1,5 mm ²	10 m
F: FLASHING LIGHT with aerial cable	1 Cable 2 x 1 mm ²	20 m
	1 RG58 type shielded cable	20 m (less than 5 m recommended)

Note 1 – If the power cable exceeds a length of 30 m, use a cable with a larger section (3x2.5 mm²): in this case earthing is required in the vicinity of the automation.

Note 2 – If the Bluebus cable exceeds a length of 20 m, up to a maximum of 40 m, use a cable with a larger section (2 x 1 mm²).

Note 3 – These 2 cables may be replaced with a single cable of 4 x 0,5 mm².

CAUTION! – The cables used must be suited to the type of environment of the installation site.

- 09. Drill the leaf and fix the bracket using suitable screws (not supplied) (figs. 7-8, 7-9 and 7-10);
- 10. Before locking the gearmotor, adjust the mechanical opening limiter as required (paragraph 3.5).

3.5 - Adjusting the mechanical opening limiter

- 01. Manually move the gate leafs to the maximum opening position;
- 02. Rotate the plastic disk on the lower section of the gearmotor, to position the aperture under the arm as shown in fig. 8;
- 03. Insert the limiter in the first possible place: try to insert as shown in fig. 8 (opening direction);
- 04. Rotate the disk to prevent the limiter from dropping, moving the aperture to the position shown in fig. 8; for more precise adjustments, use the adjustment screw (fig. 8);
- 05. If there is no floor-mounted stop in the system, this procedure must be repeated from point 01 also for the closing limiter;
- 06. Lastly, tighten the disk fixing nut fully down (fig. 8) to ensure that it does not rotate accidentally.

3.6 - Manually releasing and locking the gearmotor

The gearmotor is equipped with a mechanical locking system to enable manual opening and closing of the gate. These manual operations should only be performed in the event of a power failure, malfunctions or during the installation procedures.

Releasing (fig. 9):

- 01. Insert the key;
- 02. Turn the key anti-clockwise (180°);
- 03. At this point the leaf can be moved manually to the required position.

Locking (fig. 10):

- 01. Turn the key clockwise through 180°;
- 02. Remove the key.

4 ELECTRICAL CONNECTIONS

The electrical connection of the various devices (photocells, digital keyboard, transponder card readers, etc.) contained in the automation with the control unit must be made by means of the Nice "Bluebus" system.

Description of electrical connections (fig. 11)

AERIAL	input for the radio receiver aerial
FLASH	output for 1 flashing light with 12V (maximum 21W) bulb. [*]
ELS	output for 12Vac (maximum 15VA) electric lock. [*]
BLUEBUS	input for compatible devices (MOFB, MOFOB, MOB and MOTB); they are connected in parallel using two conductors through which both the electricity supply and the communication signals travel; no polarity needs to be observed. The electrical connection to be used is of the parallel type and no polarity needs to be observed. During the learning stage, the control unit will recognise individually all devices connected to it thanks to a unique code. Each time a device is added or eliminated, it will be necessary to make the control unit perform the learning operation (see paragraph 4.5).
STOP	input for devices that cause the immediate interruption of the manoeuvre in progress (with a short reverse run); NO and NC contacts, as well as devices with 8.2 kΩ constant resistance output (sensitive edges) can be connected to this input. Each device connected to this input is recognised individually by the control unit during the learning stage (paragraph 3.4); in this stage, if the control unit detects any variations with respect to the learned state, it causes a STOP. One or more devices of the same or different kinds can be connected to this input: <ul style="list-style-type: none"> - connect a number of NO devices in parallel without quantity limits; - several NC devices can be connected in series, with no limits as to quantity; - connect 2 devices with 8.2 kΩ constant resistance output in parallel. If there are more than 2 devices, they must be connected in a cascade with just one 8.2 kΩ termination resistance; - connect 2 NO and NC devices in parallel, placing a 8.2 kΩ resistance in series on the NC contact (this also allows for a combination of three devices NO - NC and 8.2 kΩ)
P.P.	input for devices which control Step-by-Step manoeuvres. NO contacts can be connected to this input
OPEN	input for control devices, which intervene to cause partial opening 1 manoeuvre; possibility of connecting NO type contacts
M	output for gearmotor without control unit (HO7224)

[*] The outputs FLASH and ELS can be programmed with other functions (see "TABLE 5 – Level 1 functions"; or via the Oview programmer; see paragraph 8.3).

4.1 - Gearmotor electrical connections

Caution! – Only make the electrical connections after installing the gearmotor.

WARNINGS!

- Connections must be made exclusively by qualified personnel.
- All electrical connections must be made with the unit disconnected from the mains power supply and with the buffer battery disconnected (if present).
- The electrical power line must be fitted with a device that enables complete disconnection of the automation from the mains. The disconnection device must have a gap between contacts that ensures complete disconnection in the conditions of overvoltage category III, in compliance with installation regulations.

- 01. Open the cover of the gearmotor (fig. 12-1);
- 02. Route the power cable and other electric cables through the hole on the lower section of the gearmotor (afb. 12-2);
- 03. First connect the power cable of the motor with the control unit HO7124: loosen the cable clamp (fig. 12-3) and connect the power cable as shown in fig. 12-4; then secure the cable by means of the cable clamp (fig. 12-5);
- 04. Then connect the cable powering the motor without control unit (HO7224) as shown in fig. 13;
- 05. Lastly connect the electric cables of the various devices present, with reference to fig. 11 and paragraph 4.3. *Note – To facilitate cable connections, the terminals can be removed from their seats;*
- 06. In the Table 2 identify the type corresponding to the system to be programmed and if necessary, on the control unit, set the selector JA and jumper JB as described;
- 07. Close the gearmotor cover (fig. 12-6).

	JA	JB
	JA	JB
	JA	JB
	JA	JB
	JA	JB
	JA	JB
	JA	JB
	JA	JB

4.2 - Connection of other devices

If further devices present in the system need to be powered, for example a transponder card reader or the key selector light, these devices can be connected to the control unit using terminals "P.P. (positive)" and "STOP (negative)" (fig. 11). The power supply voltage is 24 Vdc, -30% ÷ +50%, with maximum available current 200 mA.

Note – The voltage present on terminals "P.P." and "STOP" remains connected even when the "Stand By" function is activated on the card.

4.3 - Routing connected devices

To enable control unit recognition of the devices connected to the BlueBus system, they need to be routed. This operation must be performed by positioning

the electric jumper correctly on each device; see the relative instruction manual of individual devices: see **fig. A** and **Table 3**.

To route other devices, consult the relative instruction manuals. At the end of the installation procedure, or after removing photocells or other devices, the device learning procedure must be performed as described in paragraph 4.5.

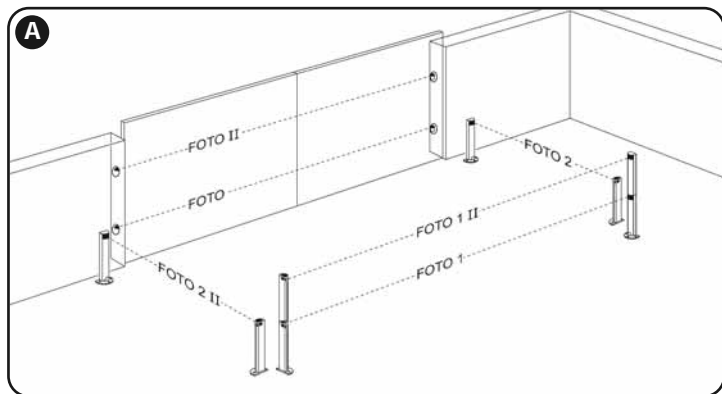


TABLE 3 - PHOTOCELL ADDRESSES

Photocell	Jumpers
FOTO External photocell h = 50 with trip on closure (stops and inverts movement)	
FOTO II External photocell h = 100 with trip on closure (stops and inverts movement)	
FOTO 1 Internal photocell h = 50 with trip on closure (stops and inverts movement) and opening (stops and restarts when photocell is disengaged)	
FOTO 1 II Internal photocell h = 100 with trip on closure (stops and inverts movement) and opening (stops and restarts when photocell is disengaged)	
FOTO 2 Internal photocell with trip on opening (stops and inverts movement)	
FOTO 2 II Internal photocell with trip on opening (stops and inverts movement)	
FOTO 3 CONFIGURATION NOT ADMITTED	

4.4 - Initial start-up and electrical connections

After powering up the control unit, perform the following checks:

- After a few seconds, make sure that the "Bluebus" LED (**fig. 15**) flashes regularly with a frequency of about one flash per second.
- Make sure that the LEDs on the photocells (**fig. 15**) flash (both on TX and RX). The type of flashing is not important during this stage.
- Make sure that the flashing light connected to the FLASH output is off.

If the above conditions are not satisfied, switch off the power supply to the control unit and check the electrical connections previously made.

4.5 - Learning of the devices connected

After the initial power-up, the control unit must be able to recognise the devices connected to the "Bluebus" and "Stop" inputs.

IMPORTANT ! – The learning procedure must be performed even if no device is connected to the control unit.

The control unit is able to recognise the various connected devices individually through the self-learning procedure and detect possible faults. For this reason it is necessary to perform self-learning every time a new device is added or an existing device is removed.

To indicate when the self-learning procedure is required, LEDs L1 and L2 on the control unit (**fig. 15**) emit a number of slow flashes:

01. Press and hold down ◀ and "Set" keys at the same time (**fig. 15**).
02. Release the keys when LEDs L1 and L2 start flashing quickly (after approx. 3 seconds).
03. Wait a few seconds for the control unit to complete the device learning phase.
04. At the end of this phase, the "Stop" LED must be lit and LEDs "L1" and "L2" must be turned off (LEDs L3 and L4 may start flashing).

4.6 - Learning the mechanical stop positions

After learning the connected devices (paragraph 4.6), the positions of the mechanical stops must also be learnt (maximum opening and maximum closing).

There are three ways to perform this procedure: **automatic**, **manual** or **combined**.

In **automatic mode**, the control unit learns the positions of the mechanical stops and calculates the most suitable offset value for the leafs (SA and SC, **fig. B**).

In **manual mode**, the six positions of the mechanical stops **fig. B** are programmed one by one, moving the leafs to the required points. The position to program is identifiable by the flashing status of one of the 6 leds (L1-L6), see **Table 4**.

In **combined mode**, the automatic procedure can be performed and then, using the manual procedure, one or more positions may be modified, with the exception of positions "0" and "1" (**fig. B**) which coincide with the positions of the mechanical stops.

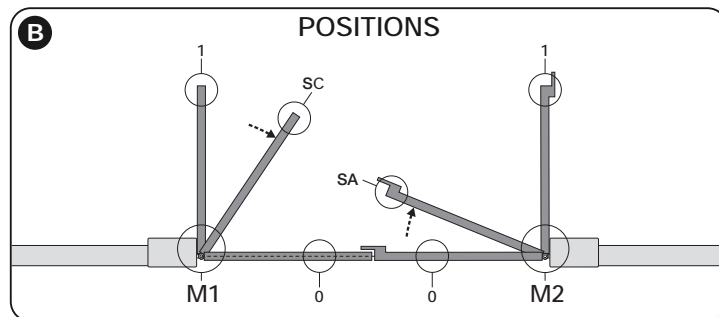


TABLE 4

Position	Led	Description
Position 0 (motor 1)	L1	Maximum closing position: when leaf 1 reaches closing mechanical stop
Position 0 (motor 2)	L2	Maximum closing position: when leaf 2 reaches closing mechanical stop
Position SA (motor 2)	L3	Opening offset: when leaf 2 passes this position the opening of leaf 1 begins
Position SC (motor 1)	L4	Closing offset: when leaf 1 reaches this position, leaf 2 begins to close
Position 1 (motor 1)	L5	Maximum opening position: when leaf 1 reaches the opening mechanical stop
Position 1 (motor 2)	L6	Maximum opening position: when leaf 2 reaches the opening mechanical stop

4.6.1 - Learning in automatic mode

01. Press and hold keys "Set" and "▶" at the same time;
02. Release the keys when leds "L3" and "L4" start flashing quickly (after approx. 3 seconds);
03. Ensure that the automation completes the following sequences of manoeuvres:
 - a - Low speed closure of gearmotor M1 through to the mechanical stop
 - b - Low speed closure of gearmotor M2 through to the mechanical stop
 - c - low speed opening of gearmotor M2 and gearmotor M1 through to the mechanical stop
 - d - High speed closure of gearmotors M1 and M2

Warnings:

- If the first manoeuvre performed by one or both the leafs is not closing, press "◀" or "▶" to stop the learning phase: then check the position of selector JA and jumper JB (see **Table 2**) or check connection polarity of the motor without control unit (HO7224).
- If the first closing manoeuvre is not controlled by M1, press "◀" or "▶" to stop the learning phase; then check the position of selector JA and jumper JB, see **Table 2**;

04. At the end of the Closing manoeuvre of the 2 motors (d), leds "L3" and "L4" turn off to indicate that the procedure has been completed correctly.

Warnings:

- During the automatic learning procedure, if a photocell trips or a device connected to the "stop" input is activated, the procedure is interrupted and led L1 starts flashing. To resume the learning process, the procedure must be started again from point 01;
- The automatic learning procedure can be repeated at any time, also after installation; for example following modifications to the position of the mechanical stops.

4.6.2 - Learning in manual mode

Caution! – From step 03 onwards:

- to move from led L1 to L6, briefly press key ◀ or ▶ (the led flashes to indicate the current position);
- to move the motor in one or the other direction, press and hold key ◀ or ▶.

01. Press and hold keys "Set" and "▶" at the same time.
02. Release the keys when led "L1" starts flashing (after approx. 1 second);
Note – After 3 seconds have elapsed, if the keys "Set" and "▶" are not released, the "automatic learning" procedure is started up, and not the manual procedure.

03. • LED L1 flashes: position 0 of M1

To bring motor 1 to **position 0 (fig. B)**: press and hold down the ◀ or ▶ keys. On reaching the position, release the key to stop the manoeuvre. To memorise the position, press and hold down the "Set" key for at least 3 seconds and then release it (after 2 seconds LED L1 remains on and on releasing the "Set" key LED L2 begins flashing).

• LED L2 flashes: position 0 of M2

To bring motor 2 to **position 0 (fig. B)**: press and hold down the ◀ or ▶ keys. On reaching the position, release the key to stop the manoeuvre. To memorise the position, press and hold down the "Set" key for at least 3 seconds and then release it (after 2 seconds LED L2 remains on and on releasing the "Set" key LED L3 begins flashing).

• LED L3 flashes: position SA of M2

To bring motor 2 to **position SA (fig. B)**: press and hold down the ◀ or ▶ keys. On reaching the position, release the key to stop the manoeuvre. To memorise the position, press and hold down the "Set" key for at least 3 seconds and then release it (after 2 seconds LED L3 remains on and on releasing the "Set" key LED L4 begins flashing).

• LED L4 flashes: position SC of M1

To bring motor 1 to **position SA (fig. B)**: press and hold down the ◀ or ▶ keys. On reaching the position, release the key to stop the manoeuvre. To memorise the position, press and hold down the "Set" key for at least 3 seconds and then release it (after 2 seconds LED L4 remains on and on releasing the "Set" key LED L5 begins flashing).

• LED L5 flashes: position 1 of M1

To bring motor 1 to **position 1 (fig. B)**: press and hold down the ◀ or ▶ keys. On reaching the position, release the key to stop the manoeuvre. To memorise the position, press and hold down the "Set" key for at least 3 seconds and then release it (after 2 seconds LED L5 remains on and on releasing the "Set" key LED L6 begins flashing).

• LED L6 flashes: position 1 of M2

To bring motor 2 to **position 1 (fig. B)**: press and hold down the ◀ or ▶ keys. On reaching the position, release the key to stop the manoeuvre. To memorise the position, press and hold down the "Set" key for at least 3 seconds and then release it to exit programming (after 2 seconds LED L6 remains on until the "Set" key is released).

Note – Manual programming of a system with a single gearmotor: proceed as described at the start of this paragraph from step 01. **At step 03** proceed as follows:

- **program the positions of leds L1 (0 of M1) and L5 (1 of M1) as follows:** press and hold "Set" for at least 3 seconds and then release (after 2 sec. the led remains lit and on release of the "Set" key the next led starts to flash).
- **do not program the positions of leds L3 (SA of M2) - L4 (SC of M1):** to move between positions, briefly press "◀" or "▶".

4.6.3 - Learning in combined mode

Perform this procedure after completing the automatic learning cycle:

01. Press and hold keys "Set" and "▶" at the same time.

02. Release the keys when led "L1" starts flashing (after approx. 1 second):
Note – After 3 seconds have elapsed, if the keys "Set" and "▶" are not released, the "automatic learning" procedure is started up, and not the manual procedure.

03. Briefly press key "◀" or "▶" to move the flashing led (L1-L6) to the position to be programmed and proceed for each position, as described in step 03 of the manual learning procedure (paragraph 4.7.2).
Repeat this operation for all other positions to be modified.

To complete the manual learning process, press key "▶" repeatedly to move the led that flashing beyond position L6.

4.7 - Checking movement of gate leaves

At the end of the learning procedure, it is advisable to make the control unit perform a few opening and closing manoeuvres to ensure that the gate moves correctly and to check for installation or setting defects.

- 01.** Press "Open" and ensure that the opening manoeuvre comprises the acceleration phase, the constant speed phase and the deceleration phase. Check correct offset of the leaves on opening. At the end of the manoeuvre, the leaves must be perfectly open on the mechanical opening stop.
- 02.** Press the "Close" key and check that the closure manoeuvre includes the acceleration, constant speed and deceleration phases. Check that the leaf closure offset is correct. At the end of the manoeuvre, the leaves must be perfectly closed on the mechanical closure stop.
- 03.** Make sure that the flashing light flashes at intervals of 0.5 sec on, 0.5 sec off during manoeuvres.

These are the most important phases in the installation of the automation system, in order to guarantee maximum system safety. Testing can also be used to check the devices in the automation system regularly. The automation system testing and commissioning phases must be carried out by qualified experts who must be responsible for determining the tests necessary to check the solutions adopted vis-a-vis the risks involved, and to check the observance of all legal and regulatory obligations: in particular all the requirements of the EN 12445 standard which sets forth the test methods for checking automated gates.

Additional devices must undergo specific testing, both in terms of functionality as well as their correct interaction with POP; please refer to the relevant individual instruction manuals.

5.1 - Testing

The sequence of steps to take to carry out testing refers to a typical system (fig. 3):

- 1** Ensure that everything stated in the "Installation warnings" chapter has been observed.
- 2** Release the gearmotors manually and check that when you operate the leaf, at the point designed especially for the manual manoeuvre, the leaves can either be opened or closed with a force of less than 390 N.
- 3** Secure the gearmotors (see chapter 3.6).
- 4** Using the control devices (transmitter, command button, key selector, etc.), perform some Gate Opening, Closing and Stop tests, making sure the movement of the leaves corresponds with each test. It is a good idea to carry out several tests in order to evaluate the movement of the leaves and pinpoint any assembly or adjustment defects as well as to check for any particular points of friction.
- 5** Check operation of all system safety devices one at a time (photocells, sensitive edges etc.). When a device trips, the BLUEBUS™ led on the control unit emits 2 quick flashes to confirm recognition.
- 6** If the hazardous situations caused by the movement of the leaves have been safeguarded by limiting the force of impact, the force must be measured in accordance with the EN 12445 standard and, if necessary, if the control of the "gearmotor force" is used as an aid to the system to reduce the force of impact, try and then find the adjustment that achieves the best results.
- 7** Permanently affix a label showing how to manually release the gearmotor in a zone adjacent to the automation.

5.2 - Commissioning

Commissioning can only take place once all the testing phases have been carried out successfully.

- 1** Put together the automation system's technical file, which should include the following documents: an overall diagram of the automation system, the diagram of the electrical connections made, the current risk analysis and the related solutions adopted, the manufacturer's declaration of conformity for all the devices used and the declaration of conformity filled in by the installer.
- 2** Affix a data plate onto the gate which specifies the following information, at least: the type of automation system, the name and address of the manufacturer (responsible for the commissioning), the serial number, the year of manufacture and the EC mark.
- 3** Fill in the declaration of conformity of the automation system and hand it over to its owner.
- 4** Fill in and hand over to the owner of the automation system the "User's guide" of the automation system.
- 5** Fill in and hand over to the owner of the automation system the "Maintenance schedule" which contains instructions on the maintenance of all the devices in the automation system.
- 6** Before commissioning the automation system, inform the owner of all the hazards and residual risks entailed.

For all the documentation mentioned, the Nice technical support service provides the following: instruction manuals, guides and precompiled forms. Also visit: www.nice-service.com

6 PROGRAMMING THE CONTROL UNIT

The control unit has 3 keys **OPEN** (◀), **STOP (SET)**, **CLOSE** (▶) that can be used both for controlling the unit during testing and for programming the available functions.

The programmable functions available are divided into 2 levels and their relative operating status is displayed by means of the 8 LEDs (**L1...L6**) on the control unit (LED lit = function active; LED off = function not active).

Use the programming keys:

OPEN (◀): – key for controlling gate opening; – selection key during programming.

STOP/SET: key for stopping a manoeuvre; if pressed for more than 5 seconds, it enables entry to programming mode.

CLOSE (▶): – key for controlling gate closure; – selection key during programming.

6.1 - Level one programming (ON-OFF functions)


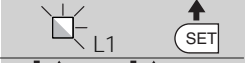



All level 1 functions are set by default to "OFF" and may be modified at any time. To check the functions see **Table 5**. For the programming procedure see **Table 6**.

IMPORTANT – In the programming procedure, the maximum time interval that can elapse between activation of one key and the next is 10 seconds. When this time elapses, the procedure terminates automatically, memorising the modifications made up until then.

TABLE 5 - First level functions

Led	Function	Description
L1	Automatic closure	<u>ACTIVE function</u> : after an opening movement, there is a pause (equal to the programmed time) after which the control unit automatic initiates a closure movement. The factory setting for the Pause time is 30 sec. <u>Function NOT ACTIVE</u> : function is "semiautomatic" type".
L2	Reclose after photo	<u>ACTIVE function</u> : if the photocells are activated during the opening or closing manoeuvre, the pause time is reduced to 5 seconds regardless of the programmed pause time. With "automatic closure" disabled, if the photocells are activated during closure the "automatic closure" is activated with the programmed "pause time".
L3	Always close	<u>ACTIVE function</u> : in the event of a power failure, even of short duration, when power is restored the control unit detects gate open and automatically starts a closure manoeuvre, preceded by 5 seconds of pre-flashing. <u>Function NOT ACTIVE</u> : when power is restored the gate remains where it is.
L4	All standby	<u>ACTIVE function</u> : after 1 minute from the end of the manoeuvre, the control unit turns off the "BlueBus" output (connected devices), Bus T4 (connected devices), the outputs flash and ELS, some internal circuits and all leds with the exception of the BlueBus led, which flashes at a slower interval. When the control unit receives a command, it resumes normal operation (after a short delay). This function is used to reduce consumption, an important aspect in the case of battery powered devices or when using photovoltaic panels.
L5	lock/Courtesy light	<u>ACTIVE function</u> : the "electric lock" output switches its operation to "courtesy light". <u>Function NOT ACTIVE</u> : the output operates as an electric lock.
L6	Pre-flash	<u>ACTIVE function</u> : adds a pause of 3 seconds between switch-on of the flasher and the beginning of the manoeuvre, to signal a dangerous situation in advance. <u>Function NOT ACTIVE</u> : the signalling of the flasher coincides with the beginning of the manoeuvre.
L7	"Step-Step" becomes "Open" and "Open" becomes "Close"	<u>ACTIVE function</u> : the two inputs "Step-step" and "Open" of the control unit have the functions "Open" and "Close". <u>Function NOT ACTIVE</u> : the two inputs "Step-step" and "Open" of the control unit have the functions "Step-step" and "Partial Open 1".
L8	"Flash" or "Gate Open Indicator"	<u>ACTIVE function</u> : the "flash" output of the control unit switches operating mode to "gate open indicator". <u>Function NOT ACTIVE</u> : the "FLASH" output of the control unit performs the "Flashing light" function".

TABLE 6 - Programming procedure (first level functions)

01. Press and hold down the "Set" key for approx. 3 seconds;	
02. Release the key when LED "L1" starts flashing;	
03. Press the "◀" or "▶" key to move the flashing LED to the LED representing the function to be modified;	
04. Press "Set" to change the status of the function: (short flash = OFF; long flash = ON);	
05. Wait 10 seconds (maximum time) to exit the programming mode.	
<i>Note – During this procedure, points 03 and 04 need to be repeated when programming other functions to "ON" or "OFF" during the phase itself.</i>	

6.2 - Level two programming (adjustable parameters)

All level 2 functions are set by default as highlighted in grey in **Table 7** and may be modified at any time as explained in **Table 8**.

The parameters can be set on a scale from 1 to 8. To check the value corresponding to each LED see **Table 10**. **IMPORTANT** – In the programming procedure, the maximum time interval that can elapse between activation of one

key and the next is 10 seconds. When this time elapses, the procedure terminates automatically, memorising the modifications made up until then.





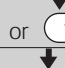

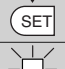


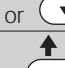



TABLE 7 - Second level functions

Input LED	Parameter	Led (level)	Value	Description
L1	Pause time	L1	5 seconds	Sets the pause time, namely the time which lapses before automatic closure. This will only take effect if closing is active.
		L2	15 seconds	
		L3	30 seconds	
		L4	45 seconds	
		L5	60 seconds	
		L6	80 seconds	
		L7	120 seconds	
		L8	180 seconds	
L2	Step by step function	L1	Open – stop – close – stop	Sets the sequence of commands associated with the "Step-by-Step", "Open", or "Close" inputs or the radio control. <i>Note – When setting L4, L5, L7 and L8, the behaviour of the "Open" and "Close" commands is also modified.</i>
		L2	Open – stop – close – stop	
		L3	Open – stop – close – stop	
		L4	Apartment block: • In the opening manoeuvre the "Step by Step" and "Open" commands have no effect; the "Close" command causes the movement to be inverted, i.e. the closure of the leaf. • In the closure manoeuvre the "Step by Step" and "Open" commands cause the movement to be inverted, i.e. the leaf to open; the "Close" command has no effect.	
		L5	Apartment block 2: • In the opening manoeuvre the "Step by Step" and "Open" commands have no effect; the "Close" command causes the movement to be inverted, i.e. the closure of the leaf. If the transmitted command persists for more than 2 seconds, a "Stop" is performed. • In the closure manoeuvre the "Step by Step" and "Open" commands cause the movement to be inverted, i.e. the leaf to open; the "Close" command has no effect. If the transmitted command persists for more than 2 seconds, a "Stop" is performed.	
		L6	Step-by-step 2 (less than 2 sec. generates partial opening)	
		L7	Hold-to-run: the manoeuvre is performed only if the transmitted command persists; if the command is interrupted the manoeuvre stops.	
		L8	Opening in semi-automatic mode, closing in hold-to-run mode	
L3	Motor speed	L1	Very slow	Sets the motor speed during normal travel.
		L2	Slow	
		L3	Medium	
		L4	Fast	
		L5	Very fast	
		L6	Extremely fast	
		L7	Fast opening, Slow Closing	
		L8	Extremely fast Opening, Medium Closing	
L4	Motor discharge after closing	L1	No discharge	Sets duration of "short inversion" of both motors after performing Close manoeuvre with the aim of reducing the final residual thrust.
		L2	Level 1 - Minimum discharge (about 100 ms)	
		L3	Level 2 - ...	
		L4	Level 3 - ...	
		L5	Level 4 - ...	
		L6	Level 5 - ...	
		L7	Level 6 - ...	
		L8	Level 7 - Maximum discharge (about 1 s)	
L5	Motor force	L1	Level 1 - Minimum Force	Adjusts the force of both motors
		L2	Level 2 - ...	
		L3	Level 3 - ...	
		L4	Level 4 - ...	
		L5	Level 5 - ...	
		L6	Level 6 - ...	
		L7	Level 7 - ...	
		L8	Level 8 - Maximum Force	
L6	Pedestrian or partial opening	L1	Pedestrian 1 (opening of leaf M2 to 1/4 of total opening)	Sets type of opening associated with "Partial open 1" command. In levels L5, L6, L7, L8; "minimum" opening means the smaller opening out of M1 and M2; for example, if M1 opens to 90° and M2 opens to 110°, the minimum opening is 90°
		L2	Pedestrian 1 (opening of leaf M2 to 1/2 of total opening)	
		L3	Pedestrian 3 (opening of leaf M2 to 3/4 of total opening)	
		L4	Pedestrian 4 (Complete opening of leaf 2)	
		L5	Partial 1 (opening of two leaves to 1/4 of "minimum" opening)	
		L6	Partial 2 (opening of two leaves to 1/2 of "minimum" opening)	
		L7	Partial 3 (opening of two leaves to 3/4 of "minimum" opening)	
		L8	Partial 4 (opening of two leaves to "minimum" opening)	
L7	Maintenance warning	L1	500	Controls the number of manoeuvres: when this number is exceeded, the control unit signals an automation maintenance request: see paragraph 6.3.2. – Maintenance warning.
		L2	1000	
		L3	1500	
		L4	2500	
		L5	5000	
		L6	10000	
		L7	15000	
		L8	20000	

L8	List of faults	L1	Manoeuvre 1 result (most recent)	The type of fault that has occurred in the last 8 manoeuvres can be established See TABLE 12 – Fault log.
		L2	Manoeuvre 2 result	
		L3	Manoeuvre 3 result	
		L4	Manoeuvre 4 result	
		L5	Manoeuvre 5 result	
		L6	Manoeuvre 6 result	
		L7	Manoeuvre 7 result	
		L8	Manoeuvre 8 result	

Note – The factory settings are highlighted in grey.

TABLE 8 - Programming procedure second level functions

01. Press and hold down the "Set" key for approx. 3 seconds.;	 3 s
02. Release the key when LED "L1" starts flashing;	 L1 
03. Press the "◀" or "▶" key to move the flashing LED to the LED representing the "input LED" of the parameter to be modified;	 or  
04. Press and hold the "Set" key through to completion of point 06;	
05. Wait approx. 3 seconds, until the LED representing the current level of the parameter to be modified illuminates;	
06. Press keys "◀" or "▶" to move the LED representing the value of the parameter;	 or  
07. Release the "Set" key;	
08. Wait 10 seconds (maximum time) to exit the programming mode.	 10 s

Note – During this procedure, points 03 to 07 need to be repeated when programming other parameters during the phase itself .

6.3 - Special functions

6.3.1 - Function: "Move anyway"

This function allows the automation to be operated even when any of the safety devices does not work correctly or is out of use. The automation can be controlled in the "hold-to-run", mode. Proceed as follows:

- 01.** Send a command to operate the gate using a transmitter or a key selector, etc. If everything operates correctly, the gate will move normally, otherwise proceed as follows;
- 02.** within 3 seconds, activate the control again and keep it activated;
- 03.** after approximately 2 seconds, the gate will perform the required movement in "hold-to-run"; mode; i.e. the gate will continue to move only as long as the control is activated.

If the safety devices do not operate, the flashing light flashes a few times to indicate the kind of problem (see chapter 6 - Table 10).

6.3.2 - Function: "Maintenance warning"

This function serves to indicate when automation maintenance is required. The maintenance warning signal is emitted by a lamp connected to the "flash" or "els" output when this output is programmed as a "maintenance indicator light" The various light signals are shown in Table 9.

To program the limit value of the maintenance operations, see Table 7.

6.4 - Deleting the memory

To delete the control unit memory and restore all factory settings, proceed as follows:

press and hold keys "◀" and "▶" until leds L1 and L2 start flashing.

TABLE 9 - "Maintenance light"

Number of manoeuvres	Signal
Below 80% of the limit	Light on for 2 seconds at the start of the opening manoeuvre.
Between 81% and 100% of the limit	Light flashing for the entire duration of the manoeuvre.
Beyond 100% of the limit	Light flashing continuously.

7 WHAT TO DO IF... (troubleshooting guide)

Some devices are able to emit signals that serve to recognise their state of operation or possible faults.

If a flashing light is connected to the FLASH output on the control unit, it will flash at intervals of 1 second during a manoeuvre. If faults occur, the flashing light will emit a sequence of two shorter flashes separated by a 1 second pau-

se. **Table 10** shows the cause and solution for each type of signal. The LEDs on the control unit also emit signals. **Table 11** shows the cause and solution for each type of signal. It is possible to verify faults that have occurred during the last 8 manoeuvres. See **Table 12**.






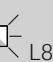






TABLE 10 - Flashing light signals (FLASH)

Flashes	Problem	Solution
1 short flash 1 second pause 1 short flash	Bluebus system error	At the start of the manoeuvre, the devices connected to Bluebus do not correspond to those recognized during the self-learning phase. One or more devices may be disconnected or faulty; check and, if necessary, replace them. In case of modifications repeat the device self-learning process (see paragraph 4.6).
2 short flashes 1 second pause 2 short flashes	Photocell activated	One or more photocells do not enable movement or have caused a movement inversion during travel; check to see if there are any obstructions.
3 short flashes 1 second pause 3 short flashes	Function activation "Obstacle detection" by force limiter	During the movement, the motors encountered excessive resistance; identify the cause and if necessary increase the level of force of the motors.
4 short flashes 1 second pause 4 short flashes	STOP input activation	At the start of the manoeuvre or during the movement, the STOP input was activated; identify the cause.
5 short flashes 1 second pause 5 short flashes	Error on internal parameters in control unit	Wait at least 30 seconds, then try giving a command and if necessary turn off the power supply. If the condition persists, there may be a malfunction and the electronic board must be replaced.
6 short flashes 1 second pause 6 short flashes	Maximum limit of consecutive manoeuvres or manoeuvres per hour exceeded.	Wait a few minutes until the manoeuvre limiting device falls to below the maximum limit.
7 short flashes 1 second pause 7 short flashes	Electric circuits fault	Wait at least 30 seconds, then try sending a command and if necessary turn off the power supply. If the condition persists, there may be a malfunction and the electronic board must be replaced.
8 short flashes 1 second pause 8 short flashes	A command is already present that disables execution of other commands	Check the type of command that is always present; for example, it could be a command from a timer on the "open" input.
9 short flashes 1 second pause 9 short flashes	The automation has been blocked by a "Block automation" command	Release the automation by giving the "Automation release" command.

TABLE 11 - Signals given by LEDs on control unit (fig. 14)

LED	Problem	Solution
BLUEBUS Always off	Fault	Check that the control unit is powered. Check that the fuses have not blown: if they have, check the cause of the fault and replace with others with the same value
Always on	Serious fault	A serious fault has occurred: try disconnecting electrical power from the control unit. If the problem persists it will be necessary to replace the electronic board
1 flash per second	Everything normal	Control unit works correctly
2 quick flashes	Input status variation	Normal if one of the inputs (PP, STOP, OPEN, CLOSE) changes: photocells activated or a command given via a transmitter
Series of flashes separated by one second pause	Various	Refer to Table 10
STOP Always off	Activation of the devices connected to the STOP input	Check the devices connected to the STOP input
Always on	Everything normal	STOP input active
S.S. Always off	Everything normal	S.S. input not active
Always on	S.S. input activation	Normal if the device connected to the S.S. input is active
OPEN Always off	Everything normal	OPEN input not active
Always on	OPEN input activation	Normal if the device connected to the OPEN input is active
L1 - L2 Slow flashing	Change in number of devices connected to Bluebus or device self-learning not performed	The device self-learning process must be performed (see paragraph 4.5)
L3 - L4 Slow flashing	Change in self-learning of the motor types or the positions of the mechanical stops	Self-learning of the mechanical stop positions has not been performed (see paragraph 4.6)
L5 Slow flash	All OK	The ELS output has been with a function different from "electric lock" and "courtesy light".
L7 Slow flash	All OK	The inputs SS and OPEN have been assigned with a function different from "Step Step" and "Partial Open 1" or "open" and "close".
L8 Slow flash	All OK	The FLASH output has been assigned with a function different from "Flashing Light" and "gate open indicator"

TABLE 12 - Fault log

01. Press and hold down the "Set" key for approx. 3 seconds;	 3 s
02. Release the key when LED "L1" starts flashing;	 L1 
03. Press keys "◀" or "▶" to move from the flashing LED to L8 LED ("input LED") for the "Fault log" parameter;	 or  
04. Press and hold the "Set" key through to completion of point 06;	
05. Wait approx. 3 seconds until the LEDs representing the levels corresponding to the manoeuvres with faults illuminate. The LED L1 indicates the result of the most recent manoeuvre while L8 indicates the eighth-to-last manoeuvre. If the LED is on this means that a fault has occurred; if the LED is off, everything is normal;	3 s 
06. Press keys "◀" and "▶" to select the required manoeuvre: the corresponding LED performs a number of flashes equal to those normally performed by the flashing light;	 and  
07. Release the "Set" key.	

8 FURTHER DETAILS

The following accessories are envisaged for HOPP (optional): receivers in the family SMXI, OXI, the programmer Oview, the solar power panel Solemyo and buffer battery mod. PS124.

8.1 - Connecting a radio receiver

The control unit has a connector for connecting radio receivers (optional accessories) belonging to the SMXI and OXI families. To connect a receiver, disconnect power from the control unit and proceed as shown in **fig. 16**. **Table 13** and

Table 14 show the commands corresponding to the outputs on the control unit.

8.2 - Connection and installation of the back-up battery mod. PS124

IMPORTANT! - The battery must only be connected to the control unit after all the phases of installation and programming have been completed, as the battery constitutes a source of emergency power.

To arrange connection to the Solemyo system, follow the stages of assembly **fig. 17**.

TABLE 13

SMXI / SMXIS or OXI / OXIFM / OXIT / OXITFM in mode I or Mode II

Output N°1	"S.S." (Step by Step) command
Output N°2	"Partial opening 1" command
Output N°3	"Open" command
Output N°4	"Close" command

TABLE 14 - OXI / OXIFM / OXIT / OXITFM in extended mode II

N°	Command	Description
1	Step by step	"S.S." (Step by Step) command
2	Partial opening 1	"Partial opening 1" command
3	Open	"Open" command
4	Close	"Close" command
5	Stop	Stops manoeuvre
6	Apartment block	Apartment block control
7	Step by Step	Gives command even when automation is blocked or commands are in progress
8	Partial open 2	Partial open (Opening of leaf M2 to 1/2 of normal opening)
9	Partial open 3	Partial open (Opening of two leaves to 1/2 of normal opening)
10	Open and block	It causes an opening manoeuvre, after which the automation is blocked; the control unit accepts no further commands with the exception of "Step by step high priority", "Release" automation and (from Oview only) the commands "Release and close" and "Release and open"
11	Close and block	It causes a closure manoeuvre, after which the automation is blocked; the control unit accepts no further commands with the exception of "Step by step high priority", "Release" automation and (from Oview only) the commands "Release and close" and "Release and open"
12	Block automation	It causes the manoeuvre to stop and the automation to block; the control unit accepts no further commands with the exception of "Step by step high priority", "Release" automation and (from Oview only) the commands "Release and close" and "Release and open"
13	Release	It causes the automation to be released and normal operation to resume
14	On Timer Courtesy light	The Courtesy light comes on with timed turning off
15	On-Off Courtesy light	The Courtesy light turns on and off in step-by-step mode

8.3 - Connection of the Oview programmer

The control unit has a BusT4 connector to which the Oview programming unit can be connect, and which allows the complete rapid management of the installation and maintenance phase as well as the diagnosis of the entire automation system. To access this connector, proceed as shown in fig. 18 and connect the connector to the dedicated seat. The Oview can be connected to several Control units simultaneously (up to 5 without any particular precautions, and up to 60 observing the dedicated warnings) and can stay connected to the control unit even during the normal operation of the automation system. In this case, it can be used to send the commands directly tot he control unit using the specific "user" menu. The Firmware upgrade can also be carried out. If there is a radio receiver from the OXI family in the control unit, Oview can be used to gain access to the parameters of the transmitters stored in the receiver itself. For further information, please consult the relevant instruction manual and the manual for the "Opera system book" system.

8.4 - Connecting the solar power system Solemyo

CAUTION! – When the automation is powered by the "Solemyo" system, IT MUST NEVER BE POWERED simultaneously by the electrical mains.

For more information on the Solemyo system, refer to the relative instruction manual.

To connect the Solemyo system, proceed as shown in fig. 19.

8.5 - Connecting the external release system Kio (fig. 20)

CAUTION! – Kio must be connected to the gearmotor controlling the leaf that moves first (starting from the gate closed position).

01. Remove the plastic cover (1);
02. Insert pin (3) in the hole of the release shaft (2);
03. Insert the steel cable (7) before the screw (4), then in the specific hole (5) and then in the hole of pin (3);
04. Hook up the spring (6) with the two ends positioned as shown in the figure;
05. Secure the cable by tightening the relative screw (4);
06. Route the other end of the cable through the hole on the lower section of the gearmotor;
07. Refit the plastic cover (1);
08. At this point, connect the cable to Kio, with reference to the relative instruction manual.

9 PRODUCT MAINTENANCE

In order to keep the safety level constant and to guarantee the maximum life span of the entire automation system, regular maintenance is vital.

All maintenance work must be carried out in compliance with the safety provisions of this manual and in accordance with existing laws and regulations.

The product requires frequent inspection to check for imbalances of the doors or signs of wear or damage to the cables. Do not use the product if adjustments or repairs are required.

Important – During the product maintenance or cleaning operations, cut off the electricity supply to the control unit and any batteries envisaged.

For the other devices in the system, follow the instructions provided in their respective maintenance schedules.

For gearmotors HO7124, HO7224, scheduled maintenance is required at the latest 6 months or 20,000 manoeuvres after the previous maintenance work.

Maintenance can be performed as follows:

01. Cut off any electrical power source, including any back-up batteries;
02. Check the condition and wear of brackets and fixing plugs, paying special attention to erosion or rusting; replace all parts which do not provide sufficient guarantees;

03. Perform a trial release to ensure it is working properly – see paragraph 3.6.
04. Reconnect the electrical power sources and perform all the checks envisaged in chapter 5 - Testing.

DISPOSING OF THE PRODUCT

This product is an integral part of the automation system, and should therefore be disposed of together with it.

As for the installation operations, even at the end of this product's life span, the dismantling operations must be carried out by qualified experts.

This product is made up of various types of materials: some can be recycled while others need to be disposed of. Find out about the recycling or disposal systems envisaged by your local regulations for this product category.

Important! – Parts of the product could contain pollutants or hazardous substances which, if released into the environment, could cause harmful effects to the environment itself as well as to human health.

As indicated by the symbol opposite, throwing away this product as domestic waste is strictly forbidden. So dispose of it as differentiated waste, in accordance with your local regulations, or return the product to the retailer when you purchase a new equivalent product.



Important! – the local applicable regulations may envisage heavy sanctions in the event of illegal disposal of this product.

Disposal of the back-up battery (where present)

Important! – The flat battery contains pollutants and should therefore not be thrown away as common waste.

It should be disposed of as differentiated waste, as envisaged by your local applicable regulations.

TECHNICAL SPECIFICATIONS OF PRODUCT

WARNINGS: • All technical specifications stated in this section refer to an ambient temperature of 20°C (± 5°C). • Nice S.p.a. reserves the right to apply modifications to products at any time when deemed necessary, maintaining the same intended use and functionality.

	HO7124	HO7224
Type	Electromechanical gearmotor for automations of gates and automatic doors with DC motor, epicyclical gear reducer and mechanical release. Built-in control unit and OXI radio receiver.	
Maximum torque	250 Nm	
Rated torque	100 Nm	
Speed under no load	0,17 rad/s (1,6 rpm)	
Speed at rated torque	0,13 rad/s (1,2 rpm)	
Maximum cycle frequency *	35 cycles/hour	
Maximum time of continuous cycle **	10 minutes	
Application limits	the product can be used on gates with leaf weight up to 250 kg for lengths up to 1,5 m and weight up to 160 kg for lengths up to 2,4 m	
Lifetime	estimated between 80.000 cycles and 250.000 cycles, depending on the conditions reported in Table 15 and Graph 3	
Power supply	230 V~ (120 V~ for version HO7124/V1) ±10%: 50/60 Hz	24 V=== (±25%)
Back-up power supply	provision for buffer battery PS124	
Solar power	provision for SYKCE kit	
Maximum power absorption at rated torque	170 W	50 W
Peak power	280 W	100 W
Rated current absorption	0,8 A (1,6 A for version HO7124/V1)	2 A
Maximum current absorption	1,3 A (2,6 A for version HO7124/V1)	4 A (for maximum time of 1 s)
Absorbed power with "All - Standby" function when powered by PS124 or SYKCE kit (including OXI receiver)	less than 100 mW	
Flashing light output ***	one LUCYB flashing light (12 V===, 21 W)	
Electric lock output ***	one electric lock, 12 V~ max 15 VA	
BLUEBUS output	one output with load of maximum 15 Bluebus units (max. 6 pairs of MOFB or MOFOB photocells plus 2 pairs of MOFB or MOFOB photocells routed as opening devices plus max. 4 MOMB or MOTB control devices)	
STOP input	for normally closed contacts, normally open contacts or contacts with constant 8,2 kΩ resistance; selection of the type of contact is in self-learning mode and a modification with respect to the memorised status will generate a "STOP" command	
SS input	for normally open contacts (closure of the contact generates a Step Step command)	
OPEN input	for normally open contacts (closure of the contact generates a Partial Open 1 command)	
Radio engage	SM connector for receivers in the families SMXI, OXI and OXIFM	
Radio AERIAL input	50 Ω for cable type RG58 or similar	
Programmable functions	8 ON-OFF type functions (Table 5) and 8 settable functions (Table 6)	
Self-learning Functions	<ul style="list-style-type: none"> • Self-learning of devices connected to the BlueBus output • Self-learning of the type of device connected to the "STOP" terminal (NO, NC contact or 8,2 kΩ) • Self-learning of the gate leaf travel and automatic calculation of deceleration points and partial opening. • Self-learning of operation with one or two motors 	
Assembly	Vertical, with dedicated fixing plate	
Operating temperature	from -20°C to +50°C (at low temperatures, gearmotor efficiency is reduced)	
Use in acid, saline or potentially explosive atmospheres	NO	
IP protection rating	IP 54 (with container intact)	
Dimensions (mm)	180 x 252 x 290 h	
Weight (kg)	9	6,5

[*] Cycle frequency at maximum temperature: 25 cycles/hour

[**] Maximum continuous cycle time at maximum temperature: 8 minutes

[***] The outputs Flashing Light and Electric lock can be programmed with other functions (see "TABLE 5 - Level 1 functions"; or via the Oview programmer; see chapter 8.3). The electrical specifications of the output are adapted to the type of selected function: • flashing light function: lamp 12 V===, 21 W max; • electric lock function: 12 V~ 15 VA max; • other outputs (all types): 1 lamp or relay 24V=== (-30 to +50%), max. 4 W.

PRODUCT LIFETIME

The lifetime is the average economic duration of the product. The value of lifetime is strongly influenced by the intensity of the manoeuvres performed by the automation. i.e. the sum of all factors that contribute to product wear (see Table 15).

To establish the probable lifetime of your automation, proceed as follows:

01. Calculate the severity index by adding all percentages of the items specified in Table 15;

02. In **Graph 3** from the value obtained above, trace vertical line until it intersects the curve; from this point trace a horizontal line until it intersects the line of the "manoeuvre cycles". The value obtained is the estimated lifetime of your product.

The estimation of lifetime is made on the basis of design calculations and the results of tests performed on prototypes. As it is only an estimation, it does not represent any form of guarantee on the effective lifetime of the product.

Example of calculating the lifetime of a HOPP gearmotor (refer to Table 15 and Graph 3):

- leaf length = 1,3 m (severity index: 15%);

- leaf weight: 180 Kg m (severity index: 30%);

- solid leaf (severity index: 15%);

Total severity index = 60%;

Estimated lifetime = 100.000 manoeuvre cycles

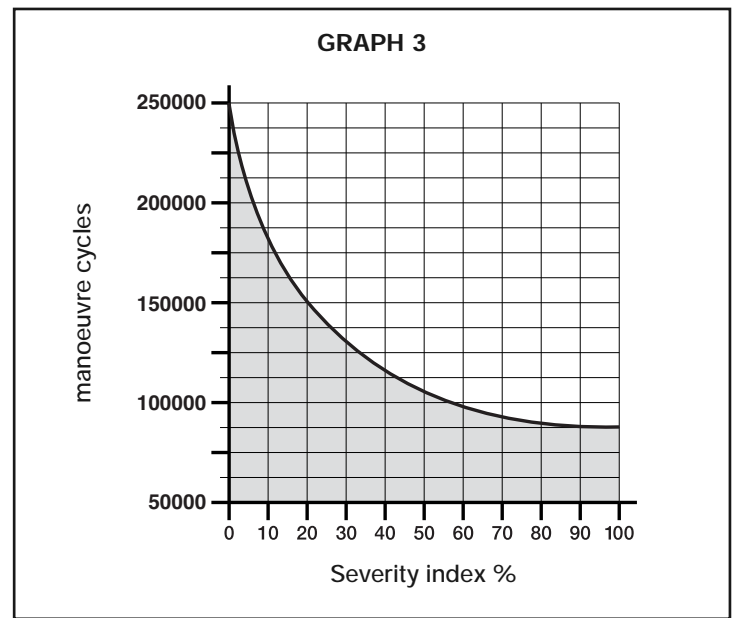


TABLE 15

		Severity index
Leaf length	< 1,0 m	-
	1,0 - 1,5 m	15%
	1,5 - 2,4 m	20%
Leaf weight	< 100 kg	-
	100 - 150 kg	20%
	150 - 250 kg	30%
Ambient temperature above 40°C or below 0°C or humidity over 80%		20%
Solid leaf		15%
Installation in windy zone		15%
<i>Note - The data refer to a balanced sectional door in perfect maintenance conditions</i>		

CE DECLARATION OF CONFORMITY and declaration of incorporation of "quasi machinery"

Declaration in accordance with the Directives: 2004/108/EC (EMC); 2006/42/EC (MD) appendix II, part B

*Note - The contents of this declaration correspond to declarations in the official document deposited at the registered offices of Nice S.p.a. and in particular to the last revision available before printing this manual. The text herein has been re-edited for editorial purposes.
A copy of the original declaration can be requested from Nice S.p.a. (TV) I.*

Declaration number: 376/HOPP

Revision: 0

Language: EN

Manufacturer's Name: NICE S.p.A.
Address: Via Pezza Alta N° 13, 31046, Rustignè di Oderzo (TV) Italy
Person authorised to draw up technical documentation: Mr. Oscar Marchetto
Address: Via Pezza Alta N° 13, 31046, Rustignè di Oderzo (TV) Italy
Product type: "HOPP" Electromechanical gearmotor with built-in control unit
Model / Type: HO7124, HO7224
Accessories: SMXI, OXI, PS124, Oview

The undersigned, Luigi Paro, in the role of Managing Director, declares under his sole responsibility, that the product specified above conforms to the provisions of the following directives:

- DIRECTIVE 2004/108/EC OF THE EUROPEAN PARLIAMENT AND COUNCIL of 15 December 2004 regarding the approximation of member state legislation related to electromagnetic compatibility, repealing directive 89/336/EEC, according to the following harmonized standards:
EN 61000-6-2:2005, EN 61000-6-3:2007

The product also conforms to the following directive according to the requirements envisaged for "quasi machinery":

- Directive 2006/42/EC THE EUROPEAN PARLIAMENT AND COUNCIL of 17 May 2006 regarding machinery and which amends directive 95/16/EC (recasting)
 - It is hereby declared that the pertinent technical documentation has been compiled in compliance with appendix VII B of directive 2006/42/EC and that the following essential requirements have been observed:
1.1- 1.1.2- 1.1.3- 1.2.1-1.2.6- 1.5.1-1.5.2- 1.5.5- 1.5.6- 1.5.7- 1.5.8- 1.5.10- 1.5.11
 - The manufacturer undertakes to transmit to the national authorities, in response to a motivated request, all information regarding the "quasi-machine", while maintaining full rights to the related intellectual property.
 - Should the "quasi machine" be put into service in a European country with an official language other than that used in this declaration, the importer is obliged to arrange for the relative translation to accompany this declaration.
 - The "quasi-machine" must not be used until the final machine in which it is incorporated is in turn declared as compliant, if applicable, with the provisions of directive 2006/42/EC.

The product also complies with the following standards:

EN 60335-1:2002 + A1:2004 + A11:2004 + A12:2006 + A2:2006 + A13:2008
EN 60335-2-103:2003

The product also complies, within the constraints of applicable parts, with the following standards:

EN 13241-1:2003, EN 12445:2002, EN 12453:2002, EN 12978:2003

Oderzo, 24 January 2011

Ing. Luigi Paro (Managing Director)



Sommario

1 - AVVERTENZE E PRECAUZIONI GENERALI	1
1.1 - Avvertenze per la sicurezza	1
1.2 - Avvertenze per l'installazione	1
1.3 - Avvertenze per l'uso	1
2 - DESCRIZIONE DEL PRODOTTO E DESTINAZIONE D'USO	1
3 - INSTALLAZIONE	2
3.1 - Verifiche preliminari all'installazione	2
3.2 - Limiti d'impiego	2
3.3 - Lavori di predisposizione all'installazione	2
3.4 - Installazione del motoriduttore mod. HO7124 - HO7224	2
3.5 - Regolazione dei fincorsa meccanici	3
3.6 - Sbloccare e bloccare manualmente il motoriduttore	3
4 - COLLEGAMENTI ELETTRICI	3
4.1 - Collegamenti elettrici dei motoriduttori	3
4.2 - Collegamento di altri dispositivi	3
4.3 - Indirizzamento dei dispositivi collegati	3
4.4 - Prima accensione e verifica dei collegamenti	4
4.5 - Apprendimento dei dispositivi collegati	4
4.6 - Apprendimento delle posizioni degli arresti meccanici	4
4.7 - Verifica del movimento delle ante del cancello	5
5 - COLLAUDO E MESSA IN SERVIZIO	6
5.1 - Collaudo	6
5.2 - Messa in servizio	6
6 - PROGRAMMAZIONE DELLA CENTRALE DI COMANDO	6
6.1 - Programmazione primo livello (ON-OFF)	6
6.2 - Programmazione secondo livello (parametri regolabili)	6
6.3 - Funzioni speciali	8
6.4 - Cancellazione della memoria	8
7 - COSA FARE SE... (guida alla risoluzione dei problemi)	9
8 - APPROFONDIMENTI	10
8.1 - Collegamento di un ricevitore radio	10
8.2 - Collegamento e installazione della batteria tampone mod. PS124	10
8.3 - Collegamento del programmatore Oview	11
8.4 - Collegamento del sistema ad energia solare Solemyo	11
8.5 - Collegamento del sistema di sblocco esterno Kio	11
9 - MANUTENZIONE DEL PRODOTTO	11
SMALTIMENTO DEL PRODOTTO	11
CARATTERISTICHE TECNICHE DEL PRODOTTO	12
Durabilità del prodotto	13
DICHIARAZIONE CE DI CONFORMITÀ	14
APPENDICE	I
Istruzioni ed avvertenze destinate all'utilizzatore	III
Immagini	IX

1 AVVERTENZE E PRECAUZIONI GENERALI

1.1 - Avvertenze per la sicurezza

- **ATTENZIONE!** – Il presente manuale contiene importanti istruzioni e avvertenze per la sicurezza. Un'installazione errata può causare gravi ferite. Prima di iniziare il lavoro è necessario leggere attentamente tutte le parti del manuale. In caso di dubbi, sospendere l'installazione e richiedere chiarimenti al Servizio Assistenza Nice.
- **ATTENZIONE!** – Istruzioni importanti: conservare questo manuale per eventuali interventi di manutenzione e di smaltimento del prodotto.
- **ATTENZIONE!** – Secondo la più recente legislazione europea, la realizzazione di una porta o di un cancello automatico deve rispettare le norme previste dalla Direttiva 2006/42/CE (ex 98/37/CE) (Direttiva Macchine) e in particolare, le norme EN 12445; EN 12453; EN 12635 e EN 13241-1, che consentono di dichiarare la conformità dell'automazione. **In considerazione di ciò, tutte le operazioni di installazione, di collegamento, di collaudo e di manutenzione del prodotto devono essere effettuate esclusivamente da un tecnico qualificato e competente!**

1.2 - Avvertenze per l'installazione

- Prima di iniziare l'installazione verificare se il presente prodotto è adatto al tipo di utilizzo desiderato (vedere i "Limiti d'impiego" paragrafo 3.2 e le "Caratteristiche tecniche del prodotto"). Se non è adatto, NON procedere all'installazione.
- Il contenuto del presente manuale è riferito ad un impianto tipico come quello descritto in fig. 3.
- **Tutte le operazioni di installazione e di manutenzione devono avvenire con l'automazione scollegata dall'alimentazione elettrica.** Se il dispositivo di sconnessione dell'alimentazione non è visibile dal luogo dove è posizionato l'automatismo, prima di iniziare il lavoro è necessario attaccare sul dispositivo di sconnessione un cartello con la scritta "ATTENZIONE! MANUTENZIONE IN CORSO".
- La centrale deve essere collegata ad una linea di alimentazione elettrica dotata di messa a terra di sicurezza.
- Durante l'installazione maneggiare con cura il prodotto evitando schiacciamenti, urti, cadute o contatto con liquidi di qualsiasi natura. Non mettere il prodotto vicino a fonti di calore, né esporlo a fiamme libere. Tutte queste azioni possono danneggiarlo ed essere causa di malfunzionamenti o situazioni di pericolo. Se questo accade, sospendere immediatamente l'installazione e rivolgersi al Servizio Assistenza Nice.
- Non eseguire modifiche su nessuna parte del prodotto. Operazioni non permesse possono causare solo malfunzionamenti. Il costruttore declina ogni responsabilità per danni derivanti da modifiche arbitrarie al prodotto.
- Se il cancello o il portone da automatizzare è dotato di una porta pedonale occorre predisporre l'impianto con un sistema di controllo che inibisca il funzionamento del motore quando la porta pedonale è aperta.
- Il materiale dell'imballo del prodotto deve essere smaltito nel pieno rispetto della normativa locale.

1.3 - Avvertenze per l'uso

- Il prodotto non è destinato ad essere usato da persone (bambini compresi) le cui capacità fisiche, sensoriali o mentali siano ridotte, oppure con mancanza di esperienza o di conoscenza, a meno che esse abbiano potuto beneficiare, attraverso l'intermediazione di una persona responsabile della loro sicurezza, di una sorveglianza o di istruzioni riguardanti l'uso del prodotto.
- I bambini che si trovano in prossimità dell'automazione, devono essere sorvegliati; verificare che non giochino con quest'ultima.
- Non permettere ai bambini di giocare con i dispositivi di comando fissi. Tenere i dispositivi di comando portatili (remoti) fuori dalla portata dei bambini.

2 DESCRIZIONE DEL PRODOTTO E DESTINAZIONE D'USO

I dispositivi che compongono il presente prodotto, sono destinati ad essere utilizzati per automatizzare cancelli o portoni ad ante battenti per uso residenziale ed industriale. **ATTENZIONE!** – **Qualsiasi altro uso diverso da quello descritto e in condizioni ambientali diverse da quelle riportate in questo manuale è da considerarsi improprio e vietato!**

La parte principale dell'automazione è formata da uno o due motoriduttori elettromeccanici (in base al numero di ante da automatizzare), provvisti ognuno di un motore in corrente continua e di un riduttore con ingranaggi a denti dritti. Uno dei motoriduttori (mod. HO7124) è dotato di una centrale di comando che ne gestisce il funzionamento. La centrale è formata da una scheda con un ricevitore radio, per la ricezione dei comandi inviati dal trasmettitore. È predisposta per essere collegata a vari dispositivi appartenenti al Sistema Opera, al sistema Bluebus e al sistema di alimentazione ad energia solare Solemyo, vedere capitolo 8 - Approfondimenti. Può ospitare una batteria tampone (mod. PS124, accessorio opzionale) che nel caso di mancanza dell'energia elettrica (black-out elettrico) garantisce all'automatismo di eseguire, nelle ore successive, alcune manovre.

In caso d'interruzione dell'energia elettrica, è possibile muovere le ante del cancello sbloccando il motoriduttore con l'apposita chiave, vedere paragrafo 3.6. Altri accessori disponibili sono i ricevitori predisposti con innesto "SM" (SMXI, OXI, ecc.), vedere capitolo 8 - Approfondimenti.

3 INSTALLAZIONE

3.1 - Verifiche preliminari all'installazione

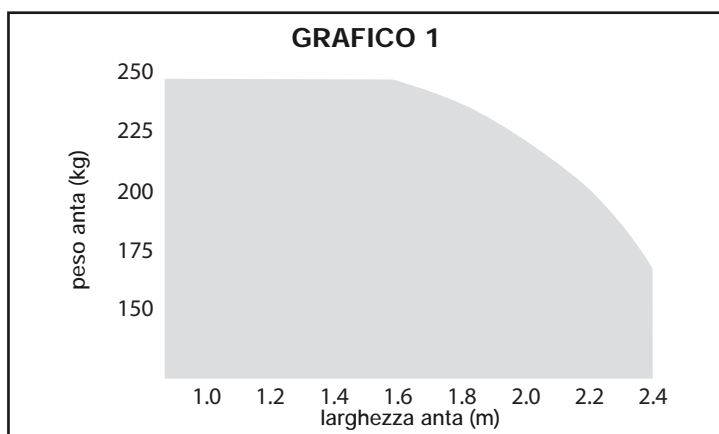
Prima di procedere all'installazione, è necessario verificare l'integrità dei componenti del prodotto, l'adeguatezza del modello scelto e l'idoneità dell'ambiente destinato all'installazione:

- Verificare che tutto il materiale da utilizzare sia in ottimo stato e adatto all'uso previsto.
- Verificare che la struttura meccanica del cancello sia adatta ad essere automatizzata e conforme alle norme vigenti sul territorio (eventualmente fare riferimento ai dati riportati sull'etichetta del cancello). Il presente prodotto non può automatizzare un cancello che non sia già efficiente e sicuro; inoltre, non può risolvere difetti causati da un'installazione errata del cancello o da una sua cattiva manutenzione.
- Verificare che le condizioni di funzionamento dei dispositivi siano compatibili con i limiti d'impiego dichiarati (vedere paragrafo 3.2).
- Muovere manualmente le ante del cancello nelle due direzioni e accertarsi che il movimento avvenga con un attrito costante in ogni punto della corsa (non devono esserci punti che richiedono uno sforzo maggiore o minore).
- Portare manualmente le ante del cancello in una posizione qualsiasi; quindi lasciarle ferme e accertarsi che non si muovano.
- Verificare che la zona di fissaggio del motoriduttore sia compatibile con l'ingombro di quest'ultimo (fig. 1).
- Nell'ambiente in cui deve essere installato il motoriduttore, accertarsi che ci sia lo spazio sufficiente per la rotazione completa del suo braccio (fig. 2).
- Nelle vicinanze del motoriduttore, accertarsi che ci sia spazio sufficiente per effettuare la manovra manuale di sblocco del motoriduttore.
- Accertarsi che le superfici scelte per installare i vari dispositivi, siano solide e possano garantire un fissaggio stabile.
- Accertarsi che ciascun dispositivo da installare sia collocato in una posizione protetta e al riparo da urti accidentali.
- Verificare che tutti i cavi elettrici da utilizzare siano del tipo elencato nella Tabella 1.

3.2 - Limiti d'impiego

Prima di eseguire l'installazione del motoriduttore eseguire le seguenti verifiche:

- verificare se l'anta da motorizzare rientra nei limiti dei valori riportati sul **Grafico 1**;
- larghezza massima dell'anta: **2,4 m** (con peso fino a 160 kg massimo);
- peso massimo dell'anta: **250 kg** (con larghezza fino a 1,5 m massimo);
- verificare i limiti dei valori riportati nella tabella delle "Caratteristiche tecniche del prodotto";
- larghezza minima dello spazio destinato all'installazione del motoriduttore: **170 mm**;
- La staffa di fissaggio del braccio deve risultare in una zona robusta dell'anta (ad esempio, il telaio), per garantire un fissaggio solido e sicuro.



3.3 - Lavori di predisposizione all'installazione

La **fig. 3** mostra un esempio di impianto di automatizzazione, realizzato con componenti **Nice** (alcuni componenti possono non essere presenti nel kit):

- a - Motoriduttore con centrale mod. HO7124
- b - Motoriduttore senza centrale mod. HO7224
- c - Segnalatore lampeggiante MLBT
- d - Coppia di fotocellule mod. MOFB
- e - Tastiera digitale (mod. MOTB) - Lettore a transponder (mod. MOMB) - Selettore a chiave (mod. MOSE)
- f - Coppia di colonnine per fotocellule
- g - Arresto meccanico in chiusura
- h - Elettroserratura

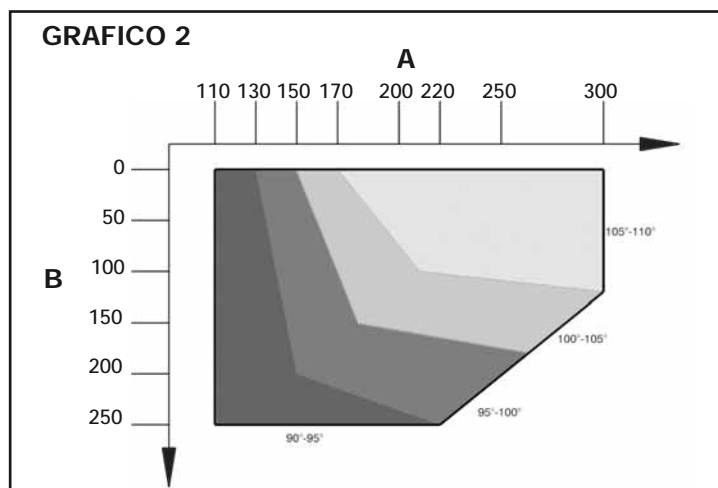
Questi componenti sono posizionati secondo uno schema tipico e usuale. Facendo riferimento alla **fig. 3**, stabilire la posizione approssimativa in cui verrà installato ciascun componente previsto nell'impianto. **Importante** - Prima di eseguire l'installazione, preparare i cavi elettrici necessari al vostro impianto, facendo riferimento alla **fig. 4** e alla "Tabella 1 - Caratteristiche tecniche dei cavi elettrici". **Attenzione** - Durante la posa in opera dei tubi per il passaggio dei cavi elettrici, considerare che a causa di possibili depositi d'acqua presenti nei pozzetti di derivazione, i tubi di collegamento possono creare fenomeni di condensa all'interno della centrale e danneggiare i circuiti elettronici.

3.4 - Installazione del motoriduttore mod. HO7124 - HO7224

AVVERTENZE

- Un'installazione errata può causare gravi ferite alla persona che esegue il lavoro e alle persone che utilizzeranno l'impianto.
- Prima di iniziare l'assemblaggio dell'automazione, effettuare le verifiche preliminari descritte nel paragrafo 3.1 e 3.2.

01. Misurare la quota "B" (fig. 5);
02. Portare l'anta nella posizione di massima apertura desiderata e verificare se il valore dell'angolo trovato rientra nei valori riportati sul **Grafico 2**;
03. Sul **Grafico 2**, con la quota "B" e l'angolo di apertura, determinare la quota "A" (fig. 6). Esempio: se "B" è 100 mm e l'angolo desiderato è pari a 100°, la quota "A" è di circa 180 mm.



04. Fissare la staffa di fissaggio del motoriduttore alla parete, in posizione orizzontale, come mostrato in **fig. 7**: utilizzare tasselli, viti e rondelle adeguate (non in dotazione);
05. Fissare il motoriduttore alla staffa, fissata precedentemente, come mostrato in **fig. 7-3**: utilizzare la vite M4,8x13 in dotazione;
06. Ora, fissare il braccio curvo al braccio dritto utilizzando il perno e il benzing d'arresto (**fig. 7-4**); poi, fissare la staffa di fissaggio per l'anta del cancello al braccio curvo, utilizzando il perno e il benzing d'arresto (**fig. 7-4**);
07. Sbloccare manualmente il motoriduttore (**fig. 7-6**), vedere paragrafo 3.6;
08. A questo punto, determinare la zona di fissaggio della staffa sull'anta del cancello allungando al massimo i bracci del motoriduttore (**fig. 7-7**): è importante posizionare la staffa nel punto più lontano rispetto alla posizione del motoriduttore;

TABELLA 1 - Caratteristiche tecniche dei cavi elettrici (fig. 4)

Collegamento	Tipo di cavo	Lunghezza massima consentita
A: Cavo ALIMENTAZIONE CENTRALE DI COMANDO	1 cavo 3 x 1,5 mm ²	30 m (nota 1)
B: Cavo ELETTROSERRATURA	1 cavo 2 x 1 mm ²	6 m
C: Cavo DISPOSITIVI BLUEBUS	1 cavo 2 x 0,5 mm ²	20 m (nota 2)
D: Cavo SELETTORE A CHIAVE	2 cavi 2 x 0,5 mm ² (nota 3)	50 m
E: Cavo ALIMENTAZIONE MOTORIDUTTORE	1 cavo 3 x 1,5 mm ²	10 m
F: Cavo LAMPEGGIANTE con antenna	1 cavo 2 x 1 mm ²	20 m
	1 cavo schermato tipo RG58	20 m (consigliato minore di 5 m)

Nota 1 - Se il cavo di alimentazione supera i 30 m di lunghezza, occorre utilizzare un cavo con sezione maggiore (3 x 2,5 mm²) ed è necessario installare una messa a terra di sicurezza in prossimità dell'automazione.

Nota 2 - Se il cavo Bluebus supera i 20 m di lunghezza, fino ad un massimo di 40 m, occorre utilizzare un cavo con sezione maggiore (2 x 1 mm²).

Nota 3 - Questi 2 cavi possono essere sostituiti da 1 unico cavo da 4 x 0,5 mm².

ATTENZIONE! - I cavi utilizzati devono essere adatti al tipo di ambiente in cui avviene l'installazione.

09. Forare l'anta e fissare la staffa utilizzando viti adeguate (non in dotazione) (figg. 7-8, 7-9 e 7-10);

10. Prima di bloccare il motoriduttore, eseguire la regolazione del finecorsa meccanico di apertura (paragrafo 3.5).

3.5 - Regolazione dei finecorsa meccanici

01. Portare manualmente le ante del cancello in posizione di massima apertura;

02. Ruotare il disco in plastica, posto sulla parte inferiore del motoriduttore, portando la feritoia sotto il braccio nella posizione mostrata nella fig. 8;

03. Inserire il finecorsa nella prima posizione possibile: provare ad inserirlo come mostrato in fig. 8 (direzione di apertura);

04. Ruotare il disco in modo da non far cadere il finecorsa, portando la feritoia nella posizione mostrata nella fig. 8; per una regolazione più precisa, agire sulla vite di regolazione (fig. 8);

05. Se nell'impianto non è presente il fermo a terra di chiusura, è necessario ripetere la procedura dal punto 01 anche per la regolazione del finecorsa in chiusura;

06. Infine, avvitare a fondo il dado di fissaggio del disco (fig. 8) per assicurarsi che non possa ruotare accidentalmente.

3.6 - Sbloccare e bloccare manualmente il motoriduttore

Il motoriduttore è dotato di un sistema di sblocco meccanico che consente di aprire e chiudere il cancello manualmente.

Queste operazioni manuali devono essere eseguite nei casi di mancanza di corrente elettrica, anomalie di funzionamento o nelle fasi di installazione.

Sboccare (fig. 9):

01. Inserire la chiave;

02. Ruotare la chiave in senso antiorario (180°);

03. A questo punto, è possibile muovere manualmente l'anta nella posizione desiderata.

Bloccare (fig. 10):

01. Ruotare la chiave di 180° in senso orario;

02. Estrarre la chiave.

4 COLLEGAMENTI ELETTRICI

Il collegamento elettrico dei vari dispositivi (fotocelle, tastiere digitali, lettori di tessere a transponder, ecc.) presenti nell'automazione, con la centrale di comando, deve essere effettuato tramite il sistema "Bluebus" di Nice.

Descrizione dei collegamenti elettrici (fig. 11)

ANTENNA ingresso per l'antenna di un ricevitore radio

FLASH uscita per 1 lampeggiante con lampada da 12 V (massimo 21 W). [*]

ELS uscita per elettroserratura da 12 Vac (massimo 15 VA). [*]

BLUEBUS ingresso per dispositivi compatibili (MOFB, MOFOB, MOB e MOTB; collegamento dei dispositivi in parallelo tramite 2 conduttori nel quale transita sia l'alimentazione elettrica sia i segnali di comunicazione; nessuna polarità da rispettare. Il collegamento elettrico da utilizzare è di tipo parallelo e non necessita di rispettare alcuna polarità. Durante la fase di apprendimento, ogni dispositivo collegato alla centrale verrà riconosciuto singolarmente da questa, grazie ad un codice univoco. Ogni volta che verrà aggiunto o eliminato un dispositivo, sarà necessario eseguire l'apprendimento di questo da parte della centrale (vedere paragrafo 4.5).

STOP ingresso per dispositivi che con il loro intervento provocano l'arresto immediato della manovra in atto, seguito da una breve inversione; possibilità di collegare contatti di tipo NA, NC oppure dispositivi con uscita a resistenza costante 8,2 kΩ (bordi sensibili). Ogni dispositivo collegato a questo ingresso, viene riconosciuto singolarmente dalla centrale durante la fase di apprendimento (paragrafo 3.4); in questa fase, se la centrale rileva una qualsiasi variazione rispetto allo stato appreso, provoca uno STOP.

È possibile collegare a questo ingresso uno o più dispositivi anche diversi tra loro:

- collegare in parallelo più dispositivi NA, senza limiti di quantità;
- collegare in serie più dispositivi NC, senza limiti di quantità;
- collegare in parallelo 2 dispositivi con uscita a resistenza costante 8,2 kΩ. Se sono più di 2 i dispositivi è necessario collegarli a cascata con 1 sola resistenza di terminazione da 8,2 kΩ;
- collegare in parallelo 2 dispositivi NA e NC, mettendo in serie al contatto NC una resistenza da 8,2 kΩ (questo rende possibile anche la combinazione tra 3 dispositivi NA - NC e 8,2 kΩ)

P.P. ingresso per dispositivi di comando che intervenendo, provocano la manovra con modalità Passo Passo: possibilità di collegare contatti di tipo NA

OPEN ingresso per dispositivi di comando che intervenendo, provocano la manovra di apertura parziale; possibilità di collegare contatti di tipo NA

M uscita per motoriduttore senza centrale (HO7224)

[*] Le uscite FLASH, ELS, possono essere programmate con altre funzioni (vedere "TABELLA 5 - Funzioni 1° livello"; oppure tramite programmatore Oview, vedere paragrafo 8.3).

4.1 - Collegamenti elettrici dei motoriduttori

Attenzione! - Effettuare i collegamenti elettrici solo dopo aver installato il motoriduttore.

AVVERTENZE!

- Le operazioni di collegamento devono essere eseguite esclusivamente da personale qualificato.

- Tutti i collegamenti elettrici devono essere eseguiti in assenza di alimentazione elettrica di rete e con la batteria tampone scollegata, se presente nell'automazione.

- Sulla linea elettrica di alimentazione, è necessario prevedere un dispositivo che assicuri la disconnessione completa dell'automazione dalla rete. Il dispositivo di disconnessione deve avere i contatti con distanza di apertura tale da consentire la disconnessione completa, nelle condizioni sancite dalla categoria di sovratensione III, conformemente alle regole di installazione.

01. Aprire il coperchio del motoriduttore (fig. 12-1);

02. Passare il cavo di alimentazione e gli altri cavi elettrici attraverso il foro presente sulla parte inferiore del motoriduttore (fig. 12-2);

03. Collegare per primo il cavo di alimentazione del motore con centrale HO7124: svitare il pressa-cavo (fig. 12-3) e collegare il cavo di alimentazione come mostrato in fig. 12-4; poi, bloccare il cavo con il pressa-cavo (fig. 12-5);

04. Ora, collegare il cavo che alimenta il motore senza centrale (HO7224) come mostrato in fig. 13;

05. Infine, collegare i cavi dei vari dispositivi presenti facendo riferimento alla fig. 11 e al paragrafo 4.3. *Nota - Per facilitare i collegamenti dei cavi, è possibile estrarre i morsetti dalle proprie sedi;*

06. Individuare sulla **TABELLA 2** la tipologia corrispondente all'impianto da programmare e se necessario, sulla centrale, impostare il selettore **JA** e il ponticello **JB** come descritto;

07. Richiudere il coperchio dei motoriduttori (fig. 12-6).

TABELLA 2		
	JA	JB
	JA	JB
	JA	JB
	JA	JB
	JA	JB
	JA	JB
	JA	JB
	JA	JB
	JA	JB
	JA	JB

4.2 - Collegamento di altri dispositivi

Se si necessita di alimentare ulteriori dispositivi previsti nell'impianto, ad esempio un lettore di tessere a transponder oppure la luce d'illuminazione per il selettore a chiave, è possibile collegare questi dispositivi alla centrale di comando sui morsetti "P.P. (positivo)" e "STOP (negativo)" (fig. 11). La tensione di alimentazione è 24 Vcc (-30% ÷ +50%) con corrente massima disponibile di 200 mA. **Nota** - La tensione disponibile nei morsetti "P.P." e "STOP", rimane presente anche quando viene attivata la funzione "Stand By" sulla scheda.

4.3 - Indirizzamento dei dispositivi collegati

Per permettere alla centrale di riconoscere i dispositivi collegati al sistema Bluebus, è necessario eseguire l'indirizzamento di quest'ultimi. Questa operazione

deve essere eseguita posizionando correttamente il ponticello elettrico presente in ogni dispositivo, vedere il manuale istruzioni di ogni singolo dispositivo: vedere **fig. A** e **Tabella 3**.

Per eseguire l'indirizzamento di altri dispositivi, consultare i rispettivi manuali istruzioni. Alla fine della procedura d'installazione oppure in seguito alla rimozione di fotocellule o di altri dispositivi, è necessario eseguire la procedura di apprendimento di quest'ultimi: vedere il paragrafo 4.5.

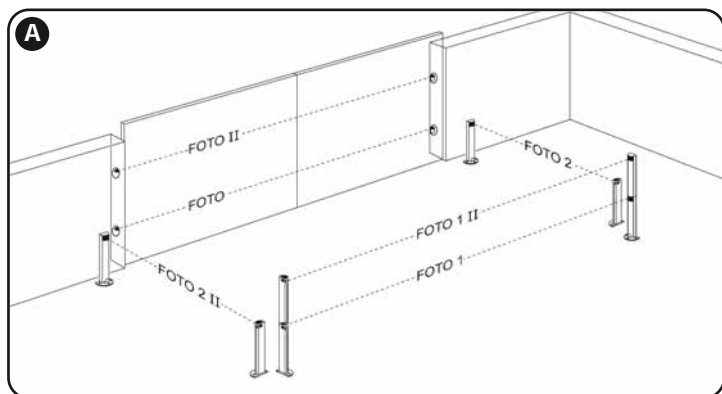


TABELLA 3 - INDIRIZZI DELLE FOTOCELLULE

Fotocellula	Ponticelli
FOTO Fotocellula esterna h = 50 con intervento in chiusura (ferma ed inverte il movimento)	
FOTO II Fotocellula esterna h = 100 con intervento in chiusura (ferma ed inverte il movimento)	
FOTO 1 Fotocellula interna h = 50 con intervento sia in chiusura (ferma ed inverte il movimento) che in apertura (ferma e riparte al disimpegno della fotocellula)	
FOTO 1 II Fotocellula interna h = 100 con intervento sia in chiusura (ferma ed inverte il movimento) che in apertura (ferma e riparte al disimpegno della fotocellula)	
FOTO 2 Fotocellula interna con intervento in apertura (ferma ed inverte il movimento)	
FOTO 2 II Fotocellula interna con intervento in apertura (ferma ed inverte il movimento)	
FOTO 3 CONFIGURAZIONE NON PERMESSA	

4.4 - Prima accensione e verifica dei collegamenti

Dopo aver dato alimentazione elettrica alla centrale di comando, eseguire le seguenti verifiche:

- trascorsi alcuni secondi, verificare che il Led "Bluebus" (**fig. 15**) lampeggi regolarmente con frequenza di 1 lampeggio al secondo;
- verificare che i Led delle fotocellule (**fig. 15**), sia TX sia RX, emettano lampeggi. Il tipo di lampeggio emesso, in questa fase, non è significativo;
- verificare che il lampeggiante collegato all'uscita FLASH sia spento.

Se tutto questo non avviene, è necessario togliere l'alimentazione elettrica alla centrale e controllare i vari collegamenti elettrici precedentemente effettuati.

4.5 - Apprendimento dei dispositivi collegati

Dopo aver effettuato la prima accensione, è necessario far riconoscere alla centrale i dispositivi collegati agli ingressi "Bluebus" e "Stop".

ATTENZIONE! – La fase di apprendimento deve essere eseguita anche se alla centrale non è collegato alcun dispositivo.

La centrale, è in grado di riconoscere singolarmente i vari dispositivi collegati grazie alla procedura di apprendimento e di rilevare le possibili anomalie presenti. Per questo, è necessario eseguire l'apprendimento dei dispositivi ogni volta che uno di questi viene aggiunto oppure viene rimosso.

I Led "L1" e "L2" presenti sulla centrale (**fig. 15**), emettono dei lampeggi lenti per indicare che è necessario eseguire l'apprendimento:

- 01.** Premere e tenere premuti contemporaneamente i tasti "◀" e "Set" (**fig. 15**).
- 02.** Rilasciare i tasti quando i led "L1" e "L2" iniziano a lampeggiare velocemente (dopo circa 3 secondi).
- 03.** Attendere alcuni secondi che la centrale completi la fase di apprendimento dei dispositivi.
- 04.** Al termine di questa fase il Led "Stop" deve essere acceso e i Led "L1" e "L2" si devono spegnere (potrebbero iniziare a lampeggiare i Led "L3" e "L4").

4.6 - Apprendimento delle posizioni degli arresti meccanici

Dopo l'apprendimento dei dispositivi collegati (paragrafo 4.6), è necessario eseguire l'apprendimento delle posizioni degli arresti meccanici (massima apertura e massima chiusura). Questa procedura può essere eseguita in tre modalità: **automatico**, **manuale** e **misto**.

Nel **modo automatico**, la centrale esegue l'apprendimento degli arresti meccanici e calcola gli sfasamenti più opportuni delle ante (SA e SC, **fig. B**).

Nel **modo manuale**, le sei posizioni mostrate in **fig. B** vengono programmate una ad una posizionando le ante nei punti desiderati. La posizione da programmare è individuabile grazie al lampeggio di uno dei 6 led (L1...L6), vedere **Tabella 4**.

Nel **modo misto**, è possibile eseguire la procedura automatica e poi, con la procedura manuale, modificare una o più posizioni ad eccezione delle posizioni "0" e "1" (**fig. B**) che coincidono con le posizioni degli arresti meccanici.

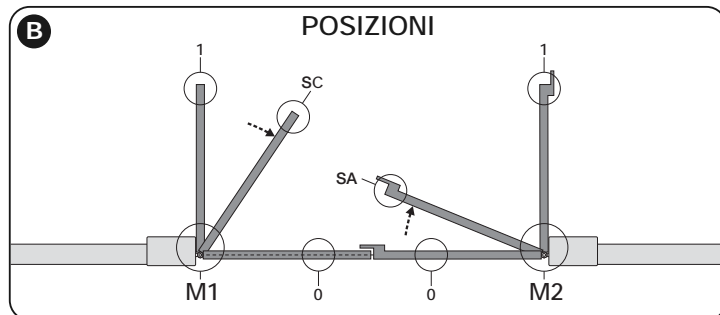


TABELLA 4

Posizione	Led	Descrizione
Posizione 0 (motore 1)	L1	Posizione di massima chiusura: quando l'anta 1 batte sull'arresto meccanico di chiusura
Posizione 0 (motore 2)	L2	Posizione di massima chiusura: quando l'anta 2 batte sull'arresto meccanico di chiusura
Posizione SA (motore 2)	L3	Sfasamento in apertura: quando l'anta 2 supera questa posizione, inizia l'apertura dell'anta 1
Posizione SC (motore 1)	L4	Sfasamento in chiusura: quando l'anta 1 si trova al di sotto di questa posizione, inizia la chiusura dell'anta 2
Posizione 1 (motore 1)	L5	Posizione di massima apertura: quando l'anta 1 batte sull'arresto meccanico di apertura
Posizione 1 (motore 2)	L6	Posizione di massima apertura: quando l'anta 2 batte sull'arresto meccanico di apertura

4.6.1 - Apprendimento in modo automatico

- 01.** Premere e tenere premuti contemporaneamente i tasti "Set" e "▶";
- 02.** Quando i led "L3" e "L4" iniziano a lampeggiare velocemente, (dopo circa 3 sec.) rilasciare i tasti;
- 03.** Verificare che l'automatismo esegua le seguenti sequenze di manovre:
 - a - Chiusura lenta del motoriduttore M1 fino all'arresto meccanico
 - b - Chiusura lenta del motoriduttore M2 fino all'arresto meccanico
 - c - apertura lenta del motoriduttore M2 e del motoriduttore M1 fino all'arresto meccanico
 - d - Chiusura veloce dei motoriduttori M1 e M2

Avvertenze:

- Se la prima manovra eseguita da una o da entrambi le ante, non è una chiusura, premere il tasto "◀" o "▶" per fermare la fase di apprendimento; poi, controllare la posizione del selettore JA e del ponticello JB (vedere **Tabella 2**) oppure verificare la polarità del collegamento del motore senza centrale (HO7224).
- Se la prima manovra di chiusura non è comandata da M1, premere il tasto "◀" o "▶" per fermare la fase di apprendimento; poi, controllare la posizione del selettore JA e del ponticello JB, vedere **Tabella 2**;
- 04.** Al termine della manovra di Chiusura dei 2 motori (d), i led "L3" e "L4" si spengono ad indicare che la procedura è stata eseguita correttamente.

Avvertenze:

- Se durante la procedura di apprendimento automatico, si verifica l'intervento delle fotocellule oppure di un dispositivo collegato all'ingresso "stop", la procedura si interrompe e il led L1 inizia a lampeggiare. Per riattivare l'apprendimento, è necessario riprendere la procedura dal punto **01**;
- La procedura di apprendimento automatico, può essere eseguita nuovamente in qualsiasi momento, anche dopo aver effettuato l'installazione; ad esempio, a seguito della variazione della posizione degli arresti meccanici.

4.6.2 - Apprendimento in modo manuale

Attenzione! – Dal passo 03 in poi:

- per spostarsi dal led L1 a L6, occorre una breve pressione del tasto ◀ oppure ▶ (il led lampeggia, indicando l'attuale posizione);
- per far muovere il motore in un senso o nell'altro, occorre la pressione continua del tasto ◀ oppure ▶.

- 01.** Premere e tenere premuti contemporaneamente i tasti "Set" e "▶";
- 02.** Rilasciare i tasti quando il led "L1" inizia a lampeggiare (dopo circa 1 secondo); **Nota** – Superati i 3 secondi, se i tasti "Set" e "▶" non vengono rilasciati, si attiva la procedura di "apprendimento automatico" e non quello manuale.

03. • il led L1 lampeggia: posizione 0 di M1

Per comandare e portare il motore 1 nella **posizione 0 (fig. B)**: premere e tenere premuto il tasto "◀" o "▶". Raggiunta la posizione, rilasciare il tasto per fermare la manovra. Per memorizzare la posizione, premere e tenere premuto il tasto "Set" per almeno 3 sec. e poi rilasciarlo (dopo 2 sec. il led L1 rimane acceso e al rilascio del tasto "Set" inizia a lampeggiare il led L2).

• il led L2 lampeggia: posizione 0 di M2

Per comandare e portare il motore 2 nella **posizione 0 (fig. B)**: premere e tenere premuto il tasto "◀" o "▶". Raggiunta la posizione, rilasciare il tasto per fermare la manovra. Per memorizzare la posizione, premere e tenere premuto il tasto "Set" per almeno 3 sec. e poi rilasciarlo (dopo 2 sec. il led L2 rimane acceso e al rilascio del tasto "Set" inizia a lampeggiare il led L3).

• il led L3 lampeggia: posizione SA di M2

Per comandare e portare il motore 2 nella **posizione SA (fig. B)**: premere e tenere premuto il tasto "◀" o "▶". Raggiunta la posizione, rilasciare il tasto per fermare la manovra. Per memorizzare la posizione, premere e tenere premuto il tasto "Set" per almeno 3 sec. e poi rilasciarlo (dopo 2 sec. il led L3 rimane acceso e al rilascio del tasto "Set" inizia a lampeggiare il led L4).

• il led L4 lampeggia: posizione SC di M1

Per comandare e portare il motore 1 nella **posizione SC (fig. B)**: premere e tenere premuto il tasto "◀" o "▶". Raggiunta la posizione, rilasciare il tasto per fermare la manovra. Per memorizzare la posizione, premere e tenere premuto il tasto "Set" per almeno 3 sec. e poi rilasciarlo (dopo 2 sec. il led L4 rimane acceso e al rilascio del tasto "Set" inizia a lampeggiare il led L5).

• il led L5 lampeggia: posizione 1 di M1

Per comandare e portare il motore 1 nella **posizione 1 (fig. B)**: premere e tenere premuto il tasto "◀" o "▶". Raggiunta la posizione, rilasciare il tasto per fermare la manovra. Per memorizzare la posizione, premere e tenere premuto il tasto "Set" per almeno 3 sec. e poi rilasciarlo (dopo 2 sec. il led L5 rimane acceso e al rilascio del tasto "Set" inizia a lampeggiare il led L6).

• il led L6 lampeggia: posizione 1 di M2

Per comandare e portare il motore 2 nella **posizione 1 (fig. B)**: premere e tenere premuto il tasto "◀" o "▶". Raggiunta la posizione, rilasciare il tasto per fermare la manovra. Per memorizzare la posizione, premere e tenere premuto il tasto "Set" per almeno 3 sec. e poi rilasciarlo per uscire dalla programmazione (dopo 2 sec. il led L6 rimane acceso fino al rilascio del tasto "Set").

Nota - Programmazione manuale di un impianto con un solo motoriduttore: procedere come descritto all'inizio di questo paragrafo dal passo 01. Al passo 03 procedere come segue:

- **programmare le posizioni relative ai led L1 (0 di M1) e L5 (1 di M1) nel modo seguente:** mantenere premuto il tasto "Set" per almeno 3 secondi e poi rilasciarlo (dopo 2 sec. il led rimane acceso e al rilascio del tasto "Set" inizia a lampeggiare il led successivo).
- **non programmare le posizioni relative ai led L3 (SA di M2) - L4 (SC di M1):** per spostarsi tra le posizioni premere brevemente il tasto "◀" o "▶".

4.6.3 - Apprendimento in modo misto

Eseguire questa procedura dopo l'esecuzione dell'apprendimento in modo automatico:

- 01.** Premere e tenere premuti contemporaneamente i tasti "Set" e "▶";
- 02.** Rilasciare i tasti quando il led "L1" inizia a lampeggiare (dopo circa 1 secondo); *Nota - Superati i 3 secondi, se i tasti "Set" e "▶" non vengono rilasciati, si attiva la procedura di "apprendimento automatico" e non quello manuale.*
- 03.** Con una breve pressione del tasto "◀" o "▶" spostare il led lampeggiante (L1...L6) sulla posizione che si desidera programmare e procedere per ogni singola posizione, come descritto al passo 03 dell'apprendimento in modo manuale (paragrafo 4.7.2).
Ripetere quest'ultima operazione per tutte le altre posizioni che si desidera modificare.

Per terminare l'apprendimento manuale, premere ripetutamente il tasto "▶", per spostare il led che lampeggia, oltre la posizione L6.

4.7 - Verifica del movimento delle ante del cancello

Al termine della fase di apprendimento, si consiglia di far eseguire alla centrale alcune manovre di apertura e Chiusura, in modo da verificare il corretto movimento del cancello, gli eventuali difetti di montaggio e di regolazione.

- 01.** Premere il tasto "Open" e verificare che durante la manovra di Apertura sia presente la fase di accelerazione, la fase a velocità costante, la fase di rallentamento. Verificare il corretto sfasamento delle ante in apertura. Al termine le ante devono essere perfettamente aperte sull'arresto meccanico di apertura;
- 02.** Premere il tasto "Close" e verificare che durante la manovra di Chiusura sia presente la fase di accelerazione, la fase a velocità costante, la fase di rallentamento. Verificare il corretto sfasamento delle ante in chiusura. Al termine le ante devono essere perfettamente chiuse sull'arresto meccanico di chiusura;
- 03.** Verificare, durante le manovre, che il lampeggiante esegua lampeggi con intervalli di 0,5 secondi a lampeggiante acceso e di 0,5 secondi a lampeggiante spento.

Queste sono le fasi più importanti nella realizzazione dell'automazione, al fine di garantire la massima sicurezza dell'impianto. Il collaudo può essere usato anche per verificare periodicamente i dispositivi che compongono l'automazione. Le fasi del collaudo e della messa in servizio dell'automazione devono essere eseguite da personale qualificato ed esperto che dovrà farsi carico di stabilire le prove necessarie a verificare le soluzioni adottate nei confronti dei rischi presenti, e di verificare il rispetto di quanto previsto da leggi, normative e regolamenti: in particolare, di tutti i requisiti della norma EN 12445 che stabilisce i metodi di prova per la verifica degli automatismi per cancelli.

I dispositivi aggiuntivi, devono essere sottoposti ad uno specifico collaudo, sia per quanto riguarda la funzionalità sia per quanto riguarda la loro corretta interazione con POP; quindi, fare riferimento ai manuali istruzioni dei singoli dispositivi.

5.1 - Collaudo

La sequenza di operazioni da eseguire per il collaudo, descritta di seguito, si riferisce ad un impianto tipico (fig. 3):

- 1** Verificare che sia stato rispettato rigorosamente tutto quello previsto nel capitolo "Avvertenze per l'installazione".
- 2** Sbloccare i motoriduttori per la manovra manuale come descritto nel rispettivo manuale di istruzioni. Agendo sull'anta, nel punto previsto per la manovra manuale, verificare che sia possibile muovere le ante in apertura e in chiusura con una forza inferiore a 390 N.
- 3** Bloccare i motoriduttori (vedere capitolo 3.6).
- 4** Utilizzando i dispositivi di comando (trasmettitore, pulsante di comando, selettore a chiave, ecc.), effettuare delle prove di apertura, Chiusura ed Arresto del cancello, accertando che il movimento delle ante corrisponda a quanto previsto. Conviene eseguire diverse prove al fine di valutare il movimento delle ante ed accertare eventuali difetti di montaggio, di regolazione, nonché la presenza di particolari punti d'attrito.
- 5** Verificare uno ad uno il corretto funzionamento di tutti dispositivi di ausilio alla sicurezza presenti nell'impianto (fotocellule, bordi sensibili ecc.). Quando un dispositivo interviene il led "BLUEBUS", presente sulla centrale, emette 2 lampeggi più veloci come conferma dell'avvenuto riconoscimento.
- 6** Se le situazioni pericolose provocate dal movimento delle ante sono state salvaguardate mediante la limitazione della forza d'impatto si deve eseguire la misura della forza secondo quanto previsto dalla norma EN 12445 ed eventualmente, se il controllo della "forza motoriduttore" viene usato come ausilio al sistema per la riduzione della forza d'impatto, provare e trovare la regolazione che dia i risultati migliori.
- 7** Fissare in modo permanente, in una zona adiacente all'automazione, un'etichetta che descrive come sbloccare manualmente il motoriduttore.

5.2 - Messa in servizio

La messa in servizio può avvenire solo dopo aver eseguito con esito positivo tutte le fasi di collaudo.

- 1** Realizzare il fascicolo tecnico dell'automazione che dovrà comprendere i seguenti documenti: un disegno complessivo dell'automazione, lo schema dei collegamenti elettrici effettuati, l'analisi dei rischi presenti e le relative soluzioni adottate, la dichiarazione di conformità del fabbricante di tutti i dispositivi utilizzati e la dichiarazione di conformità compilata dall'installatore.
- 2** Apporre sul cancello una targhetta contenente almeno i seguenti dati: tipo di automazione, nome e indirizzo del costruttore (responsabile della "messa in servizio"), numero di matricola, anno di costruzione e marchio "CE".
- 3** Compilare e consegnare al proprietario dell'automazione la dichiarazione di conformità dell'automazione.
- 4** Compilare e consegnare al proprietario dell'automazione il "Manuale per l'uso" dell'automazione.
- 5** Compilare e consegnare al proprietario dell'automazione il "Piano di manutenzione" che raccoglie le prescrizioni sulla manutenzione di tutti i dispositivi dell'automazione.
- 6** Prima di mettere in servizio l'automazione informare adeguatamente il proprietario sui pericoli ed i rischi residui ancora presenti.
Per tutta la documentazione citata, Nice attraverso il proprio servizio di assistenza tecnica, mette a disposizione: manuali d'istruzioni, guide e moduli precompilati. Vedere anche su: www.nice-service.com

6 PROGRAMMAZIONE DELLA CENTRALE DI COMANDO

Sulla centrale sono presenti 3 tasti OPEN (◀), STOP (SET), CLOSE (▶) che possono essere utilizzati sia per comandare la centrale durante le fasi di prova sia per la programmazione delle funzioni disponibili.

Le funzioni programmabili disponibili sono disposte su 2 livelli e il loro stato di funzionamento viene segnalato dagli 8 led (L1...L8) presenti sulla centrale (led acceso = funzione attiva; led spento = funzione non attiva).

Utilizzare i tasti di programmazione:

OPEN (◀): – tasto per comandare l'apertura del cancello; – tasto di selezione in fase di programmazione.

STOP/SET: tasto per fermare una manovra; se premuto per più di 5 secondi permette di entrare in fase di programmazione.

CLOSE (▶): – tasto per comandare la Chiusura del cancello; – tasto di selezione in fase di programmazione.

6.1 - Programmazione primo livello (ON-OFF)


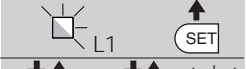



Tutte le funzioni del primo livello sono programmate di fabbrica su "OFF" e possono essere modificate in qualsiasi momento. Per verificare le varie funzioni vedere **Tabella 5**. Per la procedura di programmazione vedere **Tabella 6**.

IMPORTANTE – La procedura di programmazione presenta un tempo massimo di 10 secondi tra la pressione di un tasto e l'altro. Trascorso questo tempo, la procedura termina automaticamente memorizzando le modifiche fatte fino a quel momento.

TABELLA 5 - Funzioni di primo livello

Led	Funzione	Descrizione
L1	Chiusura automatica	<u>Funzione ATTIVA:</u> dopo una manovra di apertura, viene eseguita una pausa (pari al Tempo pausa programmato) trascorsa la quale, la centrale avvia automaticamente una manovra di chiusura. Il valore di fabbrica del Tempo pausa è pari a 30 sec. <u>Funzione NON ATTIVA:</u> il funzionamento è di tipo "semiautomatico".
L2	Richiudi dopo foto	<u>Funzione ATTIVA:</u> se durante la manovra di apertura o chiusura intervengono le fotocellule, il tempo di pausa si riduce a 5 sec. indipendentemente dal "tempo pausa" programmato. Con la "chiusura automatica" disattivata, se durante la Chiusura intervengono le fotocellule, si attiva la "chiusura automatica" con il "tempo pausa" programmato.
L3	Chiudi sempre	<u>Funzione ATTIVA:</u> nel caso di un black-out elettrico, anche breve, al ripristino della corrente elettrica la centrale rileva il cancello aperto e automaticamente avvia una manovra di Chiusura, preceduta da 5 sec. di prelampeggio. <u>Funzione NON ATTIVA:</u> al ritorno della corrente elettrica il cancello rimane dov'è.
L4	Stand by tutto	<u>Funzione ATTIVA:</u> dopo 1 minuto dal termine della manovra, la centrale spegne l'uscita "BlueBus" (dispositivi collegati), il Bus T4 (dispositivi collegati), le uscite flash e ELS, alcuni circuiti interni e tutti i led escluso il Led BlueBus che lampeggerà più lentamente. Quando la centrale riceve un comando ripristina il normale funzionamento (con un breve ritardo). Questa funzione ha lo scopo di ridurre i consumi; aspetto importante con alimentazione a batterie o pannelli fotovoltaici.
L5	Elettroserratura / Luce di cortesia	<u>Funzione ATTIVA:</u> l'uscita "elettroserratura" commuta il proprio funzionamento in "luce di cortesia". <u>Funzione NON ATTIVA:</u> l'uscita funziona come elettroserratura.
L6	Prelampeggio	<u>Funzione ATTIVA:</u> aggiunge una pausa di 3 secondi tra l'accensione del lampeggiante e l'inizio della manovra, per segnalare in anticipo una situazione di pericolo. <u>Funzione NON ATTIVA:</u> la segnalazione del lampeggiante coincide con l'inizio della manovra.
L7	"Passo Passo" diventa "Apre" e "Open" diventa "Chiude"	<u>Funzione ATTIVA:</u> i due ingressi "Passo passo" e "Open" della centrale, hanno la funzione di "Apre" e "Chiude". <u>Funzione NON ATTIVA:</u> i due ingressi "Passo passo" e "Open" della centrale, hanno la funzione di "Passo passo" e "Apre parziale 1".
L8	"Flash" oppure "Spia cancello aperto"	<u>Funzione ATTIVA:</u> l'uscita "Flash" della centrale, commuta il proprio funzionamento in "Spia cancello aperto". <u>Funzione NON ATTIVA:</u> l'uscita "FLASH" della centrale esegue la funzione "Lampeggiante".

TABELLA 6 - Procedura di programmazione primo livello

01. Premere e tenere premuto il tasto "Set" per circa 3 secondi;	
02. Rilasciare il tasto quando il led "L1" inizia a lampeggiare;	
03. Premere il tasto "◀" o "▶" per spostare il led lampeggiante sul led che rappresenta la funzione da modificare;	
04. Premere il tasto "Set" per cambiare lo stato della funzione: (lampeggio breve = OFF - lampeggio lungo = ON);	
05. Attendere 10 secondi (tempo massimo) per uscire dalla programmazione.	
<i>Nota – Per programmare altre funzioni su "ON" oppure "OFF", durante l'esecuzione della procedura, occorre ripetere i punti 03 e 04 durante la fase stessa.</i>	

6.2 - Programmazione secondo livello (parametri regolabili)

Tutti i parametri del secondo livello sono programmati di fabbrica come evidenziato in **colore grigio** nella **Tabella 7** e possono essere modificate in qualsiasi momento, procedendo come descritto nella **Tabella 8**.

I parametri, sono regolabili su una scala di valori da 1 a 8; per verificare il valore corrispondente ad ogni Led vedere **Tabella 10**. **IMPORTANTE** – La procedura

di programmazione presenta un tempo massimo di 10 secondi tra la pressione di un tasto e l'altro. Trascorso questo tempo, la procedura termina automaticamente memorizzando le modifiche fatte fino a quel momento.


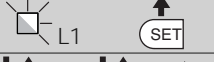






TABELLA 7 - Funzioni di secondo livello

Led di entrata	Parametro	Led (livello)	Valore	Descrizione
L1	Tempo Pausa	L1	5 secondi	Regola il tempo di pausa, cioè il tempo prima della richiusura automatica. Ha effetto solo se la Chiusura è attiva.
		L2	15 secondi	
		L3	30 secondi	
		L4	45 secondi	
		L5	60 secondi	
		L6	80 secondi	
		L7	120 secondi	
		L8	180 secondi	
L2	Funzione Passo Passo	L1	Apri - stop - chiudi - stop	Regola la sequenza di comandi associati all'ingresso "Passo Passo", "Apri", "Chiudi" oppure al comando radio. Nota - Impostando L4, L5, L7 e L8, viene modificato anche il comportamento dei comandi "Apri" e "Chiudi".
		L2	Apri - stop - chiudi - apri	
		L3	Apri - chiudi - apri - chiudi	
		L4	Condominiale: • nella manovra di <u>apertura</u> il comando "Passo Passo" e "Apri" non provocano nessun effetto; invece, il comando "Chiudi" provoca l'inversione del movimento, cioè la chiusura delle ante. • nella manovra di <u>chiusura</u> il comando "Passo Passo" e "Apri" provocano l'inversione del movimento, cioè l'apertura delle ante; invece, il comando "Chiudi" non provoca nessun effetto.	
		L5	Condominiale 2: • nella manovra di <u>apertura</u> il comando "Passo Passo" e "Apri" non provocano nessun effetto; invece, il comando "Chiudi" provoca l'inversione del movimento, cioè la chiusura delle ante. Se il comando inviato permane per più di 2 secondi, viene eseguito uno "Stop". • nella manovra di <u>chiusura</u> il comando "Passo Passo" e "Apri" provocano l'inversione del movimento, cioè l'apertura delle ante; invece, il comando "Chiudi" non provoca nessun effetto. Se il comando inviato permane per più di 2 secondi, viene eseguito uno "Stop".	
		L6	Passo-Passo 2 (meno di 2" fa apri parziale)	
		L7	Uomo presente: la manovra viene eseguita solo se permane il comando inviato; se il comando viene interrotto la manovra si ferma.	
		L8	apertura in "semiautomatico", chiusura a "uomo presente"	
L3	Velocità motori	L1	Molto lenta	Regola la velocità dei motori durante la corsa normale.
		L2	Lenta	
		L3	Media	
		L4	Veloce	
		L5	Molto veloce	
		L6	Velocissima	
		L7	Apri veloce, Chiudi lento	
		L8	Apri velocissima, Chiudi media	
L4	Scaricamento motori dopo la Chiusura	L1	Nessun scaricamento	Regola la durata della "breve inversione" di entrambi i motori, dopo l'esecuzione della manovra di Chiusura, con lo scopo di ridurre la spinta finale residua.
		L2	Livello 1 - Scaricamento minimo (circa 100 ms)	
		L3	Livello 2 - ...	
		L4	Livello 3 - ...	
		L5	Livello 4 - ...	
		L6	Livello 5 - ...	
		L7	Livello 6 - ...	
		L8	Livello 7 - Scaricamento massimo (circa 1 s)	
L5	Forza motori	L1	Livello 1 - Forza minima	Regola la forza di entrambi i motori.
		L2	Livello 2 - ...	
		L3	Livello 3 - ...	
		L4	Livello 4 - ...	
		L5	Livello 5 - ...	
		L6	Livello 6 - ...	
		L7	Livello 7 - ...	
		L8	Livello 8 - Forza massima	
L6	Apertura pedonale o parziale	L1	Pedonale 1 (apertura dell'anta M2 a 1/4 dell'apertura totale)	Regola il tipo di apertura associato al comando "apertura parziale 1". Nei livelli L5, L6, L7, L8; per apertura "minima" si intende apertura minore tra M1 e M2: ad esempio se M1 apre a 90° e M2 apre a 110°; l'apertura minima è 90°
		L2	Pedonale 2 (apertura dell'anta M2 a 1/2 dell'apertura totale)	
		L3	Pedonale 3 (apertura dell'anta M2 a 3/4 dell'apertura totale)	
		L4	Pedonale 4 (apertura totale dell'anta 2)	
		L5	Parziale 1 (apertura delle due ante a 1/4 dell'apertura "minima")	
		L6	Parziale 2 (apertura delle due ante a 1/2 dell'apertura "minima")	
		L7	Parziale 3 (apertura delle due ante a 3/4 dell'apertura "minima")	
		L8	Parziale 4 (apertura delle due ante pari all'apertura "minima")	
L7	Avviso di manutenzione	L1	500	Regola il numero di manovre: quando viene superato questo numero, la centrale segnala la richiesta di manutenzione dell'automazione; vedere paragrafo 6.3.2. - Avviso di manutenzione.
		L2	1000	
		L3	1500	
		L4	2500	
		L5	5000	
		L6	10000	
		L7	15000	
		L8	20000	

L8	Elenco anomalie	L1	Esito 1ª manovra (la più recente)	Permette di verificare il tipo di anomalia avvenuta durante l'esecuzione delle ultime 8 manovre. Vedere TABELLA 12 - Elenco storico delle anomalie
		L2	Esito 2ª manovra	
		L3	Esito 3ª manovra	
		L4	Esito 4ª manovra	
		L5	Esito 5ª manovra	
		L6	Esito 6ª manovra	
		L7	Esito 7ª manovra	
		L8	Esito 8ª manovra	

Nota – Il colore grigio evidenzia i valori impostati in fabbrica.

TABELLA 8 - Procedura di programmazione secondo livello

01. Premere e tenere premuto il tasto "Set" per circa 3 secondi;	
02. Rilasciare il tasto quando il led "L1" inizia a lampeggiare;	
03. Premere il tasto "◀" o "▶" per spostare il led lampeggiante sul led che rappresenta "led di entrata" del parametro da modificare;	
04. Premere e mantenere premuto il tasto "Set" fino alla conclusione del punto 06;	
05. Attendere circa 3 secondi, fino a quando si accende il led che rappresenta il livello attuale del parametro da modificare;	
06. Premere il tasto "◀" o "▶" per spostare il led che rappresenta il valore del parametro;	
07. Rilasciare il tasto "Set";	
08. Attendere 10 secondi (tempo massimo) per uscire dalla programmazione.	

Nota – Per programmare più parametri, durante l'esecuzione della procedura, occorre ripetere le operazioni dal punto 03 al punto 07 durante la fase stessa.

6.3 - Funzioni speciali

6.3.1 - Funzione: "Muovi comunque"

Questa funzione, permette di far funzionare l'automazione anche quando qualche dispositivo di sicurezza non funziona correttamente oppure è fuori uso. È possibile comandare l'automazione in modalità "uomo presente", procedendo nel modo seguente:

- 01.** Inviare un comando per azionare il cancello, con un trasmettitore oppure con un selettore a chiave, ecc. Se tutto funziona correttamente il cancello si muoverà regolarmente, altrimenti procedere come di seguito;
- 02.** entro 3 secondi, azionare nuovamente il comando e mantenerlo azionato;
- 03.** dopo 2 secondi circa, il cancello effettuerà la manovra richiesta in modalità a "uomo presente"; cioè, il cancello continuerà a muoversi solo fino a quando verrà mantenuto azionato il comando.

Quando i dispositivi di sicurezza non funzionano, il segnalatore lampeggiante emette alcuni lampeggi per segnalare il tipo di problema (vedere capitolo 6 - Tabella 10).

6.3.2 - Funzione: "Avviso manutenzione"

Questa funzione, serve per segnalare quando è necessario eseguire la manutenzione all'automazione. La segnalazione di avviso manutenzione, avviene tramite una lampada collegata all'Uscita "flash" oppure "els" quando questa uscita è programmata come "Spia manutenzione". Le diverse segnalazioni della lampada spia sono riportate in **Tabella 9**.

Per programmare il valore limite delle manovre di manutenzione, vedere **Tabella 7**.

6.4 - Cancellazione della memoria

Per cancellare la memoria della centrale e ripristinare tutte le impostazioni di fabbrica, procedere nel modo seguente:

premere e tenere premuto i tasti "◀" e "▶" fino a quando i led L1 e L2 iniziano a lampeggiare.

TABELLA 9 - Segnalazione "Spia manutenzione"

Numero di manovre	Segnalazione
Inferiore all'80% del limite	Spia accesa per 2 secondi, all'inizio della manovra di apertura.
Tra l'81% e il 100% del limite	Spia che lampeggia per tutta la durata della manovra.
Oltre il 100% del limite	Spia che lampeggia di continuo.

7 COSA FARE SE... (guida alla risoluzione dei problemi)

Alcuni dispositivi sono predisposti per emettere delle segnalazioni con il quale è possibile riconoscere lo stato di funzionamento oppure di eventuali anomalie. Se all'uscita FLASH presente sulla centrale viene collegato un lampeggiante, questo durante l'esecuzione di una manovra, emette un lampeggio con cadenza di 1 secondo. Se si verificano delle anomalie, il lampeggiante emette dei lam-

peggi più brevi; questi vengono ripetuti due volte divisi da una pausa di 1 secondo. Nella **Tabella 10** sono descritte la causa e la soluzione per ogni tipo di segnalazione.

Anche i Led presenti sulla centrale emettono delle segnalazioni; nella **Tabella 11** sono descritte la causa e la soluzione per ogni tipo di segnalazione.

È possibile controllare le eventuali anomalie verificatesi durante l'esecuzione delle ultime 8 manovre; fare riferimento alla **Tabella 12**.


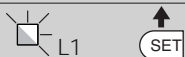





TABELLA 10 - Segnalazioni del segnalatore lampeggiante (FLASH)

Lampeggi	Problema	Risoluzione
1 lampeggio breve pausa di 1 secondo 1 lampeggio breve	Errore sul sistema Bluebus	La verifica dei dispositivi collegati al sistema Bluebus, che viene eseguita all'inizio della manovra, non corrisponde ai dispositivi memorizzati durante la fase di apprendimento. È possibile che ci siano dispositivi scollegati o guasti, quindi occorre verificare e sostituire. Se sono state fatte delle modifiche occorre rifare l'apprendimento dei dispositivi (vedere paragrafo 4.6).
2 lampeggi brevi pausa di 1 secondo 2 lampeggi brevi	Intervento di una fotocellula	Una o più fotocellule non danno il consenso al movimento oppure durante la corsa hanno provocato una inversione del movimento; verificare se sono presenti ostacoli.
3 lampeggi brevi pausa di 1 secondo 3 lampeggi brevi	Intervento della funzione "Rilevamento Ostacoli" da limitatore di forza	Durante il movimento i motori hanno incontrato un maggiore sforzo; verificare la causa ed eventualmente aumentare il livello di forza dei motori
4 lampeggi brevi pausa di 1 secondo 4 lampeggi brevi	Intervento dell'ingresso di STOP	All'inizio della manovra o durante il movimento c'è stato un intervento dei dispositivi collegati all'ingresso STOP; verificare la causa.
5 lampeggi brevi pausa di 1 secondo 5 lampeggi brevi	Errore nei parametri interni della centrale di comando	Attendere almeno 30 secondi e poi riprovare a dare un comando ed eventualmente spegnere anche l'alimentazione; se lo stato rimane, potrebbe esserci un guasto grave ed occorre sostituire la scheda elettronica.
6 lampeggi brevi pausa di 1 secondo 6 lampeggi brevi	Superato il limite massimo di manovre consecutive o di manovre per ora.	Attendere alcuni minuti in modo da far ritornare il limitatore di manovre sotto il limite massimo.
7 lampeggi brevi pausa di 1 secondo 7 lampeggi brevi	Anomalia sui circuiti elettrici	Attendere almeno 30 secondi e riprovare a inviare un comando ed eventualmente spegnere anche l'alimentazione; se lo stato rimane potrebbe esserci un guasto grave ed occorre sostituire la scheda elettronica.
8 lampeggi brevi pausa di 1 secondo 8 lampeggi brevi	È già presente un comando che non consente di eseguire altri comandi	Verificare la natura del comando sempre presente; ad esempio potrebbe essere il comando da un orologio sull'ingresso di "apre".
9 lampeggi brevi pausa di 1 secondo 9 lampeggi brevi	L'automazione è stata bloccata da un comando "Blocca l'automazione".	Sbloccare l'automazione inviando il comando "Sblocca automazione".

TABELLA 11 - Segnalazioni dei Led presenti sulla centrale di comando (fig. 14)

Led	Problema	Risoluzione
BLUEBUS Sempre spento	Anomalia	Verificare se la centrale è alimentata; verificare che i fusibili non siano intervenuti. In questo caso verificare la causa del guasto e sostituirli con altri dello stesso valore
Sempre acceso	Anomalia grave	È presente un problema grave: provare a togliere l'alimentazione elettrica alla centrale e se lo stato permane, occorre sostituire la scheda elettronica
1 lampeggio al secondo	Tutto regolare	Funzionamento regolare della centrale
2 lampeggi veloci	Variazione dello stato degli ingressi	È regolare se avviene una variazione in uno degli ingressi (PP, STOP, OPEN, CLOSE); intervento delle fotocellule oppure viene trasmesso un comando con un trasmettitore
Serie di lampeggi divisi da una pausa di 1 secondo	Varie	Fare riferimento alla Tabella 10
STOP Sempre spento	Intervento dei dispositivi collegati all'ingresso STOP	Verificare i dispositivi dell'ingresso STOP
Sempre acceso	Tutto regolare	Ingresso STOP attivo
P.P. Sempre spento	Tutto regolare	Ingresso P.P. non attivo
Sempre acceso	Intervento dell'ingresso P.P.	È regolare se è attivo il dispositivo collegato all'ingresso P.P.
OPEN Sempre spento	Tutto regolare	Ingresso OPEN non attivo.
Sempre acceso	Intervento dell'ingresso OPEN	È regolare se è attivo il dispositivo collegato all'ingresso OPEN
L1 - L2 Lampeggio lento	Variazione del numero di dispositivi collegati al Bluebus oppure apprendimento dispositivo non eseguito	È necessario eseguire l'apprendimento dei dispositivi (vedere paragrafo 4.5)
L3 - L4 Lampeggio lento	Non è mai stato eseguito l'apprendimento delle posizioni degli arresti meccanici	È necessario eseguire l'apprendimento (vedere paragrafo 4.6).
L5 Lampeggio lento	Tutto regolare	All'uscita ELS è stata assegnata una funzione diversa da "elettroserratura" e "luce di cortesia".
L7 Lampeggio lento	Tutto regolare	Agli ing P.P. e OPEN è stata assegnata una combinazione di funzioni diversa da "Passo Passo" e "Apre parziale 1" o da "apre" e "chiude".
L8 Lampeggio lento	Tutto regolare	All'uscita FLASH è stata assegnata una funzione diversa da "Lampeggiante" e "spia cancello aperto".

TABELLA 12 - Elenco storico delle anomalie

01. Premere e tenere premuto il tasto "Set" per circa 3 secondi;	
02. Rilasciare il tasto quando il led "L1" inizia a lampeggiare;	
03. Premere il tasto "◀" o "▶" per spostarsi dal led che sta lampeggiando sul led L8 ("led di entrata") per il parametro "Elenco anomalie";	
04. Premere e mantenere premuto il tasto "Set" fino alla conclusione del punto 06;	
05. Attendere circa 3 secondi, fino a quando si accendono i led che rappresentano i livelli corrispondenti alle manovre che hanno presentato delle anomalie. Il led L1 indica il risultato della manovra più recente mentre, il led L8 indica l'ottava manovra. Se il led è acceso significa che si sono verificate delle anomalie, invece se il led è spento è tutto regolare;	
06. Premere i tasti "◀" e "▶" per selezionare la manovra desiderata: il led corrispondente esegue un numero di lampeggi pari a quelli normalmente eseguiti dal lampeggiante;	
07. Rilasciare il tasto "Set".	

8 APPROFONDIMENTI

Per HOPP, sono previsti i seguenti accessori (opzionali): ricevitori della famiglia SMXI, OXI, il programmatore Oview, il pannello ad energia solare Solemyo e la batteria tampone mod. PS124.

8.1 - Collegamento di un ricevitore radio

La centrale di comando presenta un connettore per il collegamento dei ricevitori radio (accessorio opzionale) appartenenti alla famiglia SMXI, OXI. Per collegare un ricevitore, occorre togliere l'alimentazione elettrica alla centrale e proce-

dere come mostrato in fig. 16. Nella Tabella 13 e Tabella 14 sono riportati i comandi che corrispondono alle uscite presenti sulla centrale.

8.2 - Collegamento e installazione della batteria tampone mod. PS124

ATTENZIONE! - Il collegamento elettrico della batteria alla centrale deve essere eseguito soltanto dopo aver concluso tutte le fasi di installazione e programmazione, in quanto la batteria rappresenta un'alimentazione elettrica di emergenza.

Per installare e collegare la batteria, seguire le fasi di montaggio mostrate nella fig. 17.

TABELLA 13

SMXI / SMXIS oppure OXI / OXIFM / OXIT / OXITFM in modo I o Modo II

Uscita N°1	Comando "P.P." (Passo-Passo)
Uscita N°2	Comando "Apertura parziale 1"
Uscita N°3	Comando "Apre"
Uscita N°4	Comando "Chiude"

TABELLA 14 - OXI / OXIFM / OXIT / OXITFM in modo II esteso

N°	Comando	Descrizione
1	Passo-Passo	Comando "P.P." (Passo-Passo)
2	Apertura parziale 1	Comando "Apertura parziale 1"
3	Apre	Comando "Apre"
4	Chiude	Comando "Chiude"
5	Stop	Arresta la manovra
6	Passo-Passo condominiale	Comando in modalità Condominiale
7	Passo-Passo alta priorità	Comanda anche con automazione bloccata o comandi attivi
8	Apre parziale 2	Apre parziale (apertura dell'anta M2, pari a 1/2 dell'apertura totale)
9	Apre parziale 3	Apre parziale (apertura delle due ante, pari a 1/2 dell'apertura totale)
10	Apre e Blocca automazione	Provoca una manovra di apertura e al termine di questa il blocco dell'automazione; la centrale non accetta nessun altro comando ad eccezione di "Passo passo alta priorità", "Sblocca" automazione oppure (solo da Oview) i comandi: "Sblocca e chiude" e "Sblocca e apre"
11	Chiude e Blocca automazione	Provoca una manovra di chiusura e al termine di questa il blocco dell'automazione; la centrale non accetta nessun altro comando ad eccezione di "Passo passo alta priorità", "Sblocca" automazione oppure (solo da Oview) i comandi: "Sblocca e chiude" e "Sblocca e apre"
12	Blocca automazione	Provoca una fermata della manovra ed il blocco dell'automazione; la centrale non accetta nessun altro comando ad eccezione di "Passo passo alta priorità", "Sblocca" automazione oppure (solo da Oview) i comandi: "Sblocca e chiude" e "Sblocca e apre"
13	Sblocca automazione	Provoca lo sblocco dell'automazione ed il ripristino del normale funzionamento
14	On Timer Luce di Cortesia	Si accende l'uscita Luce di cortesia con spegnimento temporizzato
15	On-Off Luce di Cortesia	Si accende e spegne l'uscita Luce di cortesia in modalità passo-passo

8.3 - Collegamento del programmatore Oview

Sulla centrale è presente il connettore BusT4 al quale è possibile collegare l'unità di programmazione Oview, che consente una completa e rapida gestione della fase d'installazione, di manutenzione e di diagnosi dell'intera automazione. Per accedere al connettore è necessario procedere come mostrato in fig. 18 e collegare il connettore nell'apposita sede. L'Oview può essere collegato a più Centrali simultaneamente (fino a 5 senza particolari precauzioni, fino a 60 seguendo le apposite avvertenze) e, può restare collegato alla centrale anche durante il normale funzionamento dell'automazione. In questo caso, può essere utilizzato per inviare direttamente i comandi alla centrale utilizzando lo specifico menù "utilizzatore". È anche possibile eseguire l'aggiornamento del Firmware. Se nella centrale è presente un ricevitore radio appartenente alla famiglia OXI, utilizzando l'Oview è possibile avere accesso ai parametri dei trasmettitori memorizzati nel ricevitore stesso.

Per tutti gli approfondimenti consultare il rispettivo manuale istruzioni ed il manuale del sistema "Opera system book".

8.4 - Collegamento del sistema ad energia solare Solemyo

ATTENZIONE! – Quando l'automazione è alimentata dal sistema "Solemyo", **NON DEVE ESSERE ALIMENTATA contemporaneamente anche dalla rete elettrica.**

Per altre informazioni sul sistema Solemyo fare riferimento al suo manuale istruzioni.

Per eseguire il collegamento del sistema Solemyo, procedere come mostrato in fig. 19.

8.5 - Collegamento del sistema di sblocco esterno Kio (fig. 20)

ATTENZIONE! – Kio deve essere collegato al motoriduttore che muove l'anta che parte per prima (partendo in posizione di cancello chiuso).

01. Togliere il coperchio di plastica (1);
02. Inserire il perno (3) nel foro dell'albero di sblocco (2);
03. Inserire il cavo di acciaio (7) prima nella vite (4, poi nel foro apposito (5) e poi nel foro del perno (3);
04. Agganciare la molla (6) con i due estremi come mostrato nella figura;
05. Bloccare il cavo avvitando la vite apposita (4);
06. Far passare l'altra estremità del cavo attraverso il foro presente sulla parte inferiore del motoriduttore;
07. Riposizionare il coperchio di plastica (1);
08. A questo punto, collegare il cavo a Kio facendo riferimento al rispettivo manuale istruzioni.

9 MANUTENZIONE DEL PRODOTTO

Per mantenere costante il livello di sicurezza e per garantire la massima durata dell'intera automazione è necessaria una manutenzione regolare.

La manutenzione deve essere effettuata nel pieno rispetto delle prescrizioni sulla sicurezza del presente manuale e secondo quanto previsto dalle leggi e normative vigenti.

Sottoporre di frequente ad esame il prodotto, per verificare se ci sono sbilanciamenti delle ante o segni di usura o danni ai cavi. Non utilizzare il prodotto nel caso in cui siano necessarie delle riparazioni o delle regolazioni.

Importante – Durante le fasi di manutenzione oppure di pulizia del prodotto, scollegare la centrale dall'alimentazione elettrica e dalle batterie se previste.

Per gli altri dispositivi presenti nell'impianto, seguire quanto previsto nei rispettivi piani manutenzione.

Per i motoriduttori HO7124, HO7224 è necessaria una manutenzione programmata al massimo entro 6 mesi o 20.000 manovre dalla precedente manutenzione.

Per eseguire la manutenzione procedere nel modo seguente:

01. Scollegare qualsiasi sorgente di alimentazione elettrica, comprese le eventuali batterie tampone;
02. Verificare lo stato di deterioramento di staffe e tasselli di fissaggio con particolare attenzione a fenomeni di erosione o di ossidazione delle parti; sostituirle le parti che non forniscono sufficienti garanzie;

03. Effettuare una prova di sblocco per verificarne il corretto funzionamento vedi paragrafo 3.6.

04. Ricollegare le sorgenti di alimentazione elettrica ed eseguire tutte le prove e le verifiche previste nel capitolo 5 - Collaudo.

SMALTIMENTO DEL PRODOTTO

Questo prodotto è parte integrante dell'automazione, e dunque, deve essere smaltito insieme con essa.

Come per le operazioni d'installazione, anche al termine della vita di questo prodotto, le operazioni di smantellamento devono essere eseguite da personale qualificato.

Questo prodotto è costituito da vari tipi di materiali: alcuni possono essere riciclati, altri devono essere smaltiti. Informatevi sui sistemi di riciclaggio o smaltimento previsti dai regolamenti vigenti sul vostro territorio, per questa categoria di prodotto.

Attenzione! – Alcune parti del prodotto possono contenere sostanze inquinanti o pericolose che, se disperse nell'ambiente, potrebbero provocare effetti dannosi sull'ambiente stesso e sulla salute umana.

Come indicato dal simbolo a lato, è vietato gettare questo prodotto nei rifiuti domestici. Eseguire quindi la "raccolta separata" per lo smaltimento, secondo i metodi previsti dai regolamenti vigenti sul vostro territorio, oppure riconsegnare il prodotto al venditore nel momento dell'acquisto di un nuovo prodotto equivalente.



Attenzione! – i regolamenti vigenti a livello locale possono prevedere pesanti sanzioni in caso di smaltimento abusivo di questo prodotto.

Smaltimento della batteria tampone (se presente)

Attenzione! – La batteria scarica contiene sostanze inquinanti e quindi, non deve essere buttata nei rifiuti comuni.

Occorre smaltirla utilizzando i metodi di raccolta 'separata', previsti dalle normative vigenti nel vostro territorio.

CARATTERISTICHE TECNICHE DEL PRODOTTO

AVVERTENZE: • Tutte le caratteristiche tecniche riportate, sono riferite ad una temperatura ambientale di 20°C (± 5°C). • Nice S.p.a. si riserva il diritto di apportare modifiche al prodotto in qualsiasi momento lo riterrà necessario, mantenendone comunque la stessa funzionalità e destinazione d'uso.

	HO7124	HO7224
Tipologia	Motoriduttore elettromeccanico per automatismi di cancelli e portoni automatici con motore in corrente continua, riduttore epicicloidale, sblocco meccanico. Centrale di comando incorporata e ricevitore radio OXI	Motoriduttore elettromeccanico per automatismi di cancelli e portoni automatici con motore in corrente continua, riduttore epicicloidale, sblocco meccanico.
Coppia massima	250 Nm	
Coppia nominale	100 Nm	
Velocità a vuoto	0,17 rad/s (1,6 rpm)	
Velocità alla coppia nominale	0,13 rad/s (1,2 rpm)	
Frequenza massima dei cicli *	35 cicli/ora	
Tempo massimo ciclo continuo **	10 minuti	
Limiti d'impiego	il prodotto può essere utilizzato su cancelli con anta di peso fino a 250 kg per lunghezze fino a 1,5 m e di peso fino a 160 kg per lunghezze fino a 2,4 m	
Durabilità	stimata tra 80.000 cicli e 250.000 cicli, secondo le condizioni riportate nella Tabella 15 e Grafico 3	
Alimentazione	230 V~ (120 V~ per versione HO7124/V1) ±10%; 50/60 Hz	24 V= (±25%)
Alimentazione d'emergenza	predisposizione per batterie tampone PS124	
Alimentazione a pannelli solari	predisposizione per Kit SYKCE	
Potenza massima assorbita alla coppia nominale	170 W	50 W
Potenza di picco	280 W	100 W
Corrente nominale assorbita	0,8 A (1,6 A per versione HO7124/V1)	2 A
Corrente massima assorbita	1,3 A (2,6 A per versione HO7124/V1)	4 A (per un tempo massimo di 1 s)
Potenza assorbita in "Standby-Tutto" con alimentazione da PS124 o kit SYKCE (compreso il ricevitore OXI)	inferiore a 100 mW	
Uscita lampeggiante ***	un lampeggiante LUCYB (lampada 12 V=, 21 W)	
Uscita elettroserratura ***	un'elettroserratura da 12 V~ max 15 VA	
Uscita BLUEBUS	un'uscita con carico massimo di 15 unità Bluebus (massimo 6 coppie di fotocellule MOFB o MOFOB più 2 coppie di fotocellule MOFB o MOFOB indirizzate come dispositivi di apertura più massimo 4 dispositivi di comando MOMB o MOTB)	
Ingresso STOP	per contatti normalmente chiusi, normalmente aperti oppure a resistenza costante 8,2 kΩ; la selezione del tipo di contatto avviene in auto-apprendimento ed una variazione rispetto allo stato memorizzato provoca il comando "STOP"	
Ingresso PP	per contatti normalmente aperti (la chiusura del contatto provoca il comando Passo Passo)	
Ingresso OPEN	per contatti normalmente aperti (la chiusura del contatto provoca il comando Apre Parziale 1)	
Innesto radio	connettore SM per ricevitori della famiglia SMXI, OXI e OXIFM	
Ingresso ANTENNA Radio	50 Ω per cavo tipo RG58 o simili	
Funzioni programmabili	8 funzioni di tipo ON-OFF (Tabella 5) e 8 funzioni regolabili (Tabella 6)	
Funzioni in auto apprendimento	<ul style="list-style-type: none"> • Auto apprendimento dei dispositivi collegati all'uscita BlueBus. • Auto apprendimento del tipo di dispositivo collegato al morsetto "STOP" (contatto NA, NC o resistenza 8,2 kΩ). • Auto apprendimento della corsa delle ante e calcolo in automatico dei punti di rallentamento ed apertura parziale. • Auto apprendimento del funzionamento con uno o due motori 	
Montaggio	In verticale, con una piastra di fissaggio dedicata	
Temperatura di funzionamento	da -20°C a +50°C (alle basse temperature l'efficienza del motoriduttore diminuisce)	
Utilizzo in atmosfera particolarmente acida o salina o potenzialmente esplosiva	NO	
Grado di protezione	IP 54 (con contenitore integro)	
Dimensioni (mm)	180 x 252 x 290 h	
Peso (kg)	9	6,5

[*] Frequenza dei cicli alla temperatura massima: 25 cicli/ora

[**] Tempo massimo di ciclo continuo alla temperatura massima: 8 minuti

[***] Le uscite "Lampeggiante" e "Elettroserratura" possono essere programmate con altre funzioni (vedere "TABELLA 5 - Funzioni 1° livello": oppure tramite programmatore Oview, vedere capitolo 8.3). Le caratteristiche elettriche delle uscite si adeguano in base al tipo di funzione scelta: • funzione lampeggiante: lampada 12 V=, 21 W max; • funzione elettroserratura: 12 V~ 15 VA max; • altre uscite (tutti i tipi): 1 lampada o relè 24 V= (-30 e +50%), 4 W max.

DURABILITA' DEL PRODOTTO

La durabilità è la vita economica media del prodotto. Il valore della durabilità è fortemente influenzato dall'indice di gravosità delle manovre eseguite dall'automatismo: cioè la somma di tutti i fattori che contribuiscono all'usura del prodotto (vedere Tabella 15).

Per stabilire la durabilità probabile del vostro automatismo procedere nel modo seguente:

01. Calcolare l'indice di gravosità sommando tra loro i valori in percentuale delle voci presenti nella **Tabella 15**;

02. Nel **Grafico 3** dal valore appena trovato, tracciare una linea verticale fino ad incrociare la curva; da questo punto tracciare una linea orizzontale fino ad incrociare la linea dei "cicli di manovre". Il valore determinato è la durabilità stimata del vostro prodotto.

La stima di durabilità viene effettuata sulla base dei calcoli progettuali e dei risultati di prove effettuate su prototipi. Infatti, essendo una stima, non rappresenta alcuna garanzia sull'effettiva durata del prodotto.

Esempio del calcolo di durabilità di un motoriduttore HOPP (fare riferimento alla Tabella 15 e al Grafico 3):

- lunghezza dell'anta = 1,3 m (indice di gravosità: 15%);

- peso dell'anta: 180 Kg (indice di gravosità: 30%);

- anta cieca (indice di gravosità: 15%);

Indice di gravosità totale = 60%;

Durabilità stimata = 100.000 cicli di manovre

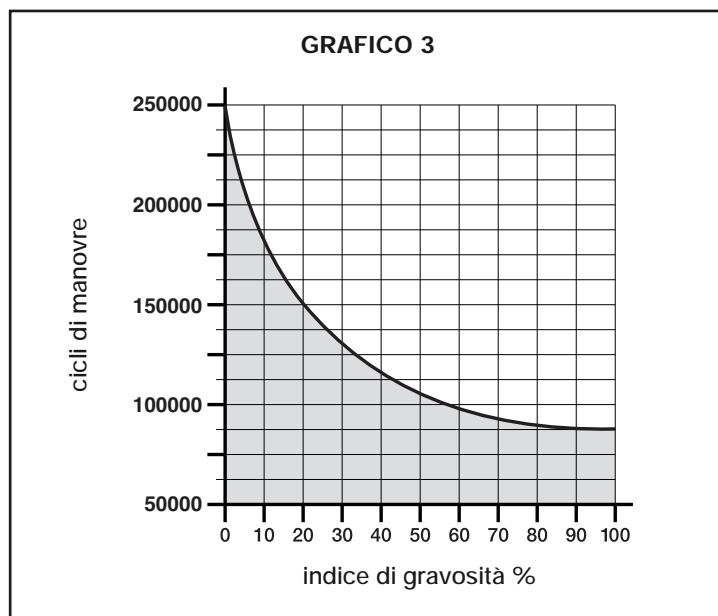


TABELLA 15		
		Indice di gravosità
Lunghezza dell'anta	< 1,0 m	-
	1,0 - 1,5 m	15%
	1,5 - 2,4 m	20%
Peso dell'anta	< 100 kg	-
	100 - 150 kg	20%
	150 - 250 kg	30%
Temperatura ambientale superiore a 40°C o inferiore a 0°C o umidità superiore all'80%		20%
Anta cieca		15%
Installazione in zona ventosa		15%
<i>Nota - I dati si riferiscono ad un portone sezionale bilanciato ed in perfette condizioni di manutenzione</i>		

DICHIARAZIONE CE DI CONFORMITÀ e dichiarazione di incorporazione di "quasi macchina"

Dichiarazione in accordo alle Direttive: 2004/108/CE (EMC); 2006/42/CE (MD) allegato II, parte B

Nota - Il contenuto di questa dichiarazione corrisponde a quanto dichiarato nel documento ufficiale depositato presso la sede di Nice S.p.a., e in particolare, alla sua ultima revisione disponibile prima della stampa di questo manuale. Il testo qui presente è stato riadattato per motivi editoriali. Copia della dichiarazione originale può essere richiesta a Nice S.p.a. (TV) I.

Numero dichiarazione: 376/HOPP

Revisione: 0

Lingua: IT

Nome produttore: NICE S.p.A.
Indirizzo: Via Pezza Alta N° 13, 31046, Rustignè di Oderzo (TV) Italy
Persona autorizzata a costituire la documentazione tecnica: Sig. Oscar Marchetto
Indirizzo: Via Pezza Alta N° 13, 31046, Rustignè di Oderzo (TV) Italy
Tipo di prodotto: Motoriduttore elettromeccanico "HOPP" con centrale incorporata
Modello / Tipo: HO7124, HO7224
Accessori: SMXI, OXI, PS124, Oview

Il sottoscritto Luigi Paro in qualità di Amministratore Delegato, dichiara sotto la propria responsabilità che il prodotto sopra indicato risulta conforme alle disposizioni imposte dalle seguenti direttive:

- Direttiva 2004/108/CE DEL PARLAMENTO EUROPEO E DEL CONSIGLIO del 15 dicembre 2004 concernente il ravvicinamento delle legislazioni degli Stati membri relative alla compatibilità elettromagnetica e che abroga la direttiva 89/336/CEE, secondo le seguenti norme armonizzate:
EN 61000-6-2:2005, EN 61000-6-3:2007

Inoltre prodotto risulta essere conforme alla seguente direttiva secondo i requisiti previsti per le "quasi macchine":

- Direttiva 2006/42/CE DEL PARLAMENTO EUROPEO E DEL CONSIGLIO del 17 maggio 2006 relativa alle macchine e che modifica la direttiva 95/16/CE (rifusione)
 - Si dichiara che la documentazione tecnica pertinente è stata compilata in conformità all'allegato VII B della direttiva 2006/42/CE e che sono stati rispettati i seguenti requisiti essenziali:
1.1- 1.1.2- 1.1.3- 1.2.1-1.2.6- 1.5.1-1.5.2- 1.5.5- 1.5.6- 1.5.7- 1.5.8- 1.5.10- 1.5.11
 - Il produttore si impegna a trasmettere alle autorità nazionali, in risposta ad una motivata richiesta, le informazioni pertinenti sulla "quasi macchina", mantenendo impregiudicati i propri diritti di proprietà intellettuale.
 - Qualora la "quasi macchina" sia messa in servizio in un paese europeo con lingua ufficiale diversa da quella usata nella presente dichiarazione, l'importatore ha l'obbligo di associare alla presente dichiarazione la relativa traduzione.
 - Si avverte che la "quasi macchina" non dovrà essere messa in servizio finché la macchina finale in cui sarà incorporata non sarà a sua volta dichiarata conforme, se del caso, alle disposizioni della direttiva 2006/42/CE.

Inoltre il prodotto risulta conforme alle seguenti norme:

EN 60335-1:2002 + A1:2004 + A11:2004 + A12:2006 + A2:2006 + A13:2008
EN 60335-2-103:2003

Il prodotto risulta conforme, limitatamente alle parti applicabili, alle seguenti norme:

EN 13241-1:2003, EN 12445:2002, EN 12453:2002, EN 12978:2003

Oderzo, 24 gennaio 2011

Ing. Luigi Paro (Amministratore Delegato)



Sommaire

1 - RECOMMANDATIONS ET PRÉCAUTIONS GÉNÉRALES	1
1.1 - Consignes de sécurité	1
1.2 - Recommandations pour l'installation	1
1.3 - Recommandations pour l'utilisation	1
2 - DESCRIPTION DU PRODUIT ET TYPE D'UTILISATION	1
3 - INSTALLATION	2
3.1 - Contrôles avant l'installation	2
3.2 - Limites d'application	2
3.3 - Travaux de préparation à l'installation	2
3.4 - Installation de l'opérateur mod. HO7124 - HO7224	2
3.5 - Réglage des fins de course mécaniques	3
3.6 - Bloquer et débrayer manuellement l'opérateur	3
4 - CONNEXIONS ÉLECTRIQUES	3
4.1 - Connexions électriques des opérateurs	3
4.2 - Connexion d'autres dispositifs	3
4.3 - Adressage des dispositifs connectés	4
4.4 - Première mise en service et vérification des connexions	4
4.5 - Reconnaissance des dispositifs connectés	4
4.6 - Reconnaissance des positions des butées mécaniques	4
4.7 - Vérification du mouvement des vantaux du portail	5
5 - ESSAI ET MISE EN SERVICE	5
5.1 - Essai	5
5.2 - Mise en service	5
6 - PROGRAMMATION DE LA LOGIQUE DE COMMANDE	6
6.1 - Programmation du premier niveau (ON-OFF)	6
6.2 - Programmation deuxième niveau (paramètres réglables)	6
6.3 - Fonctions spéciales	8
6.4 - Effacement de la mémoire	8
7 - QUE FAIRE SI... (guide pour la résolution des problèmes)	9
8 - APPROFONDISSEMENTS	10
8.1 - Connexion d'un récepteur radio	10
8.2 - Connexion et installation de la batterie tampon mod. PS124	10
8.3 - Connexion du programmeur Oview	11
8.4 - Connexion du système à énergie solaire Solemyo	11
8.5 - Connexion du système de débrayage extérieur Kio	11
9 - MAINTENANCE DU PRODUIT	11
MISE AU REBUT DU PRODUIT	11
CARACTÉRISTIQUES TECHNIQUES DU PRODUIT	12
Durabilité du produit	13
DÉCLARATION CE DE CONFORMITÉ	14
APPENDICE	I
Instructions et recommandations destinées à l'utilisateur	III
Images	IX

1 RECOMMANDATIONS ET PRÉCAUTIONS GÉNÉRALES

1.1 - Recommandations pour la sécurité

- **ATTENTION !** – Le présent manuel contient d'importantes instructions et recommandations en matière de sécurité. Une mauvaise installation peut causer de graves blessures. Avant de commencer le travail, lire attentivement toutes les parties du manuel. En cas de doutes, interrompre l'installation et demander des précisions au service après-vente Nice.
- **ATTENTION !** – Instructions importantes : conserver ce manuel pour toute intervention de maintenance et de mise en rebut du produit.
- **ATTENTION !** – Conformément à la plus récente législation européenne, la réalisation d'un vantail ou d'un portail automatique doit respecter les normes prévues par la Directive 2006/42/CE (ex 98/37/CE) (Directive Machines) et en particulier, les normes EN 12445; EN 12453; EN 12635 et EN 13241-1 qui permettent de déclarer la conformité de l'automatisme. **Pour cette raison, toutes les opérations d'installation, de branchement, d'essai et de maintenance du produit doivent être confiées exclusivement à un technicien qualifié et compétent !**

1.2 - Recommandations pour l'installation

- Avant de commencer l'installation, contrôler si le présent produit est adapté au type d'utilisation souhaitée (voir les "Limites d'emploi" paragraphe 3.2 et les "Caractéristiques techniques du produit"). En cas contraire, NE PAS procéder à l'installation.
- Le contenu du présent manuel se réfère à une installation type, comme celle décrite **fig. 3**.
- **Toutes les opérations d'installation et de maintenance doivent être effectuées avec l'automatisation débranchée.** Si le dispositif de déconnexion de l'alimentation n'est pas visible du lieu où est positionné l'automatisme, avant de commencer le travail accrocher sur le dispositif de déconnexion un panneau avec écrit "ATTENTION ! MAINTENANCE EN COURS".
- La centrale doit être branchée à une ligne d'alimentation électrique équipée de mise à la terre de sécurité.
- Durant l'installation manipuler avec soin le produit afin d'éviter tout écrasement, choc, chute ou contact avec des liquides de toute nature. Ne pas mettre le produit près de sources de chaleur, ni l'exposer à des flammes libres. Toutes ces actions peuvent l'endommager et créer des dysfonctionnements ou des situations de danger. Au cas où, interrompre immédiatement l'installation et s'adresser au service après-vente Nice.
- Aucune modification du produit ne peut être effectuée. Opérations non admises car celles-ci entraîneraient des dysfonctionnements. Le fabricant décline toute responsabilité pour dommages dérivant de modifications arbitraires du produit.
- Si le portail à automatiser est équipé d'un vantail pour piétons, préparer l'installation avec un système de contrôle qui désactive le fonctionnement du moteur lorsque le vantail pour piétons est ouvert.
- Le matériau de l'emballage du produit doit être éliminé conformément aux normes locales.

1.3 - Recommandations pour l'utilisation

- Le produit n'est pas destiné à être utilisé par des personnes (enfants compris) dont les capacités physiques, sensorielles ou mentales sont réduites ou manquant d'expérience ou de connaissance, à moins que celles-ci n'aient pu bénéficier, à travers l'intermédiation d'une personne responsable de leur sécurité, d'une surveillance ou d'instructions concernant l'utilisation du produit.
- Les enfants se trouvant à proximité de l'automatisme doivent être surveillés ; contrôler qu'ils ne jouent pas avec cette dernière.
- Ne pas laisser les enfants jouer avec les dispositifs de commande fixes. Garder les dispositifs de commande portables (à distance) hors de la portée des enfants.

2 DESCRIPTION DU PRODUIT ET UTILISATION PRÉVUE

Les dispositifs qui composent le présent produit sont destinés à être utilisés pour l'automatisation de portails ou de portes battantes pour usage résidentiel et industriel. **ATTENTION !** – Toute autre utilisation que celle décrite et dans des conditions ambiantes différentes de celles indiquées dans ce guide doit être considérée comme impropre et interdite !

La partie principale de l'automatisme est composée d'un ou de deux opérateurs électromécaniques (suivant le nombre de vantaux à automatiser) munis chacun d'un moteur en courant continu et d'un réducteur avec engrenage à dents droites. L'un des opérateurs (mod. HO7124) est équipé d'une logique de commande qui en gère le fonctionnement. La logique de commande est formée d'une carte avec un récepteur radio, pour la réception des commandes envoyées par l'émetteur. Elle est prévue pour être connectée à différents dispositifs appartenant au système Opera, au système Bluebus et au système d'alimentation par l'énergie solaire Solemyo, voir chapitre 8 - Approfondissements. Elle peut loger une batterie tampon (mod. PS124, accessoire en option) qui en cas de panne de l'énergie électrique (black-out électrique) garantit à l'automatisme l'exécution de quelques manœuvres dans les heures qui suivent. En cas d'interruption de l'énergie électrique, il est possible de bouger les vantaux du portail en débloquent l'opérateur avec la clé fournie à cet effet, voir paragraphe 3.6. Parmi les autres accessoires disponibles, il y a les récepteurs de type embrochable « SM » (SMXI, OXI etc.) voir chapitre 8 - Approfondissements.

3 INSTALLATION

3.1 - Contrôles à effectuer avant l'installation

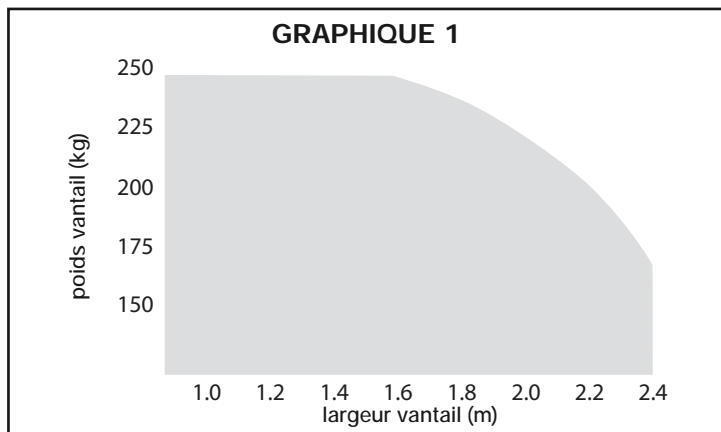
Avant de procéder à l'installation, il est nécessaire de vérifier l'intégrité des composants du produit, l'adaptabilité du modèle choisi et la conformité de l'environnement destiné à l'installation :

- Contrôler que tout le matériel à utiliser soit intact et adapté à l'utilisation prévue.
- Contrôler que sur l'installation soient présents les arrêts mécaniques au sol (non fournis), aussi bien en fermeture qu'en ouverture.
- Contrôler que la structure mécanique du portail soit adaptée pour l'automatisation et conforme aux normes en vigueur sur le territoire (éventuellement se référer aux données reportées sur l'étiquette du portail). Le présent produit ne peut automatiser un portail que ci celui-ci est efficace et sûr ; en outre, il ne peut pas résoudre les défauts causés par une installation erronée du portail ou par une mauvaise maintenance.
- Contrôler que les conditions de fonctionnement des dispositifs soient compatibles avec les limites d'emploi déclarées (voir paragraphe 3.2).
- Bouger manuellement les vantaux du portail dans les deux sens et s'assurer que le mouvement se produise avec un frottement constant sur chaque point de la course (il ne doit pas y avoir de moments demandant un effort excessif ou moindres).
- Amener manuellement les vantaux du portail dans une quelconque position ; puis les laisser à l'arrêt et s'assurer qu'ils ne bougent pas.
- Contrôler que la zone de fixation de l'opérateur soit compatible avec l'encombrement de ce dernier (fig. 1).
- S'assurer qu'il y ait l'espace suffisant pour la rotation complète du bras sur le lieu d'installation de l'opérateur (fig. 2).
- S'assurer qu'il y ait l'espace suffisant pour effectuer la manœuvre manuelle de déblocage de l'opérateur près de celui-ci.
- S'assurer que les surfaces choisies pour installer les différents dispositifs soient solides et puissent garantir une fixation stable.
- S'assurer que chaque dispositif à installer soit placé dans une position protégée et à l'abri de chocs accidentels.
- Contrôler que tous les câbles électriques à utiliser correspondent au type énuméré dans le Tableau 1.

3.2 - Limites d'application

Avant d'effectuer l'installation de l'opérateur, procéder aux vérifications suivantes :

- vérifier si le vantail à motoriser rentre dans les limites des valeurs figurant sur le Graphique 1 ;
- largeur maximum du vantail : 2,4 m (avec poids jusqu'à 160 kg maximum) ;
- poids maximum du vantail : 250 kg (avec largeur jusqu'à 1,5 m maximum) ;
- vérifier les limites des valeurs figurant dans le tableau des « Caractéristiques techniques du produit » ;
- largeur minimum de l'espace destiné à l'installation de l'opérateur : 170 mm ;
- la patte de fixation du bras doit se trouver dans une zone robuste du vantail (par exemple, le cadre), pour garantir une fixation solide et sûre.



3.3 - Travaux de préparation à l'installation

La fig. 3 montre un exemple d'installation d'automatisation réalisée avec les composants Nice (certains composants peuvent ne pas être compris dans le kit) :

- a - Opérateur avec logique de commande mod. HO7124
- b - Opérateur sans logique de commande mod. HO7224
- c - Indicateur clignotant MLBT
- d - Paire de photocellules mod. MOFB
- e - Clavier numérique (mod. MOTB) - Lecteur à transpondeur (mod. MOMB) - Sélecteur à clé (mod. MOSE)
- f - Paire de colonnes pour photocellules
- g - Butée mécanique en fermeture
- h - Serrure électrique

Ces composants sont positionnés selon un schéma typique et commun. En se référant à la fig. 3, établir la position approximative dans laquelle chaque composant prévu dans l'installation sera installé. **Important** – Avant de procéder à l'installation, préparer les câbles électriques nécessaires en se référant à la fig. 4 et au « Tableau 1 - Caractéristiques techniques des câbles électriques ».

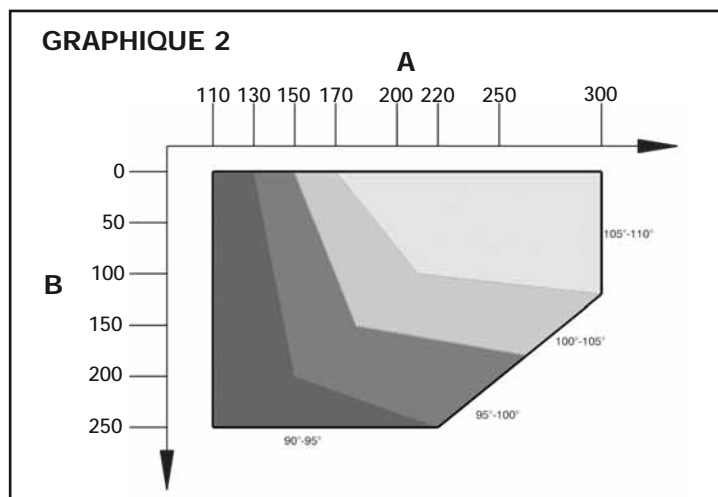
Attention – Durant la pose des gaines pour le passage des câbles électriques, tenir compte du fait qu'à cause d'éventuels dépôts d'eau dans les puits de dérivation, les gaines de raccordement peuvent créer des phénomènes de condensation à l'intérieur de la logique qui risquent d'endommager les circuits électroniques.

3.4 - Installation de l'opérateur mod. HO7124 - HO7224

AVERTISSEMENTS

- Une installation incorrecte peut causer de graves blessures aux personnes qui effectuent le travail et à celles qui utiliseront le produit.
- Avant de commencer l'assemblage de l'automatisme, faire les contrôles préliminaires décrits aux paragraphes 3.1 et 3.2.

01. Mesurer la distance « B » (fig. 5) ;
02. Mettre le vantail dans la position d'ouverture maximum désirée et vérifier si la valeur de l'angle trouvé rentre dans les valeurs indiquées sur le Graphique 2 ;
03. Sur le Graphique 2, avec la distance « B » et l'angle de ouverture, déterminer la distance « A » (fig. 6). Exemple : si « B » est 100 mm et l'angle désiré est de 100°, la distance « A » est d'environ 180 mm.



04. Fixer la patte de fixation de l'opérateur au mur, en position horizontale, comme l'illustre la fig. 7 : utiliser les chevilles, les vis et les rondelles appropriées (non fournies) ;
05. Fixer l'opérateur à la patte, fixée précédemment comme illustré fig. 7-3 : utiliser la vis M4,8x13 fournie ;
06. Maintenant, fixer le bras courbe au bras droit en utilisant le pivot et la bague d'arrêt benzing (fig. 7-4) ; ensuite, fixer la patte de fixation du vantail au portail au bras courbe, en utilisant le pivot et la bague d'arrêt benzing (fig. 7-4) ;
07. Débrayer manuellement l'opérateur (fig. 7-6), voir paragraphe 3.6 ;
08. À ce point, déterminer la zone de fixation de la patte sur le vantail du portail en allongeant au maximum les bras de l'opérateur (fig. 7-7) : il est important

TABLEAU 1 - Caractéristiques techniques des câbles électriques (fig. 4)

Connexion	Type de câble	Longueur maximum admise
A: Câble ALIMENTATION LOGIQUE	1 câble 3 x 1,5 mm ²	30 m (note 1)
B: Câble SERRURE ÉLECTRIQUE	1 câble 2 x 1 mm ²	6 m
C: Câble DISPOSITIFS BLUEBUS	1 câble 2 x 0,5 mm ²	20 m (note 2)
D: Câble SÉLECTEUR À CLÉ	2 câbles 2 x 0,5 mm ² (note 3)	50 m
E: Câble ALIMENTATION OPÉRATEUR	1 câble 3 x 1,5 mm ²	10 m
F: Câble CLIGNOTANT avec antenne	1 câble 2 x 1 mm ² 1 câble blindé type RG58	20 m 20 m (longueur conseillée : moins de 5 m)

Note 1 – Si le câble d'alimentation fait plus de 30 m de long, il faut utiliser un câble d'une section supérieure (par exemple 3 x 2,5 mm²) et il faut réaliser une mise à la terre de sécurité à proximité de l'automatisme.

Note 2 – Si le câble Bluebus fait plus de 20 m de long, jusqu'à un maximum de 40 mm, il faut utiliser un câble d'une section supérieure (2 x 1 mm²).

Note 3 – Ces deux câbles peuvent être remplacés par un unique câble 4 x 0,5 mm².

ATTENTION ! – Les câbles utilisés doivent être adaptés au type d'environnement où est effectuée l'installation.

de positionner la patte au point le plus éloigné par rapport à la position de l'opérateur ;

09. Percer le vantail et fixer la patte en utilisant des vis appropriées (non fournies) (fig. 7-8, 7-9 et 7-10) ;
10. Avant de bloquer l'opérateur, procéder au réglage du fin de course mécanique d'ouverture (paragraphe 3.5).

3.5 - Réglage des fins de course mécaniques

01. Porter manuellement les vantaux du portail dans la position d'ouverture maximum ;
02. Tourner le disque en plastique, placé sur la partie inférieure de l'opérateur, en plaçant la fente sous le bras dans la position illustrée fig. 8 ;
03. Introduire le fin de course dans la première position possible: essayer de l'insérer comme indiqué fig. 8 (sens d'ouverture) ;
04. Tourner le disque de manière à ne pas faire tomber le fin de course, en portant la fente dans la position illustrée fig. 8 ; pour un réglage plus précis, agir sur la vis de réglage (fig. 8) ;
05. Si dans l'installation il n'y a pas de butée au sol au point de fermeture, il faut répéter la procédure à partir du point 01 également pour le réglage du fin de course en fermeture ;
06. Pour finir, visser à fond l'écrou de fixation du disque (fig. 8) pour s'assurer qu'il ne peut pas tourner accidentellement.

3.6 - Débrayer et bloquer manuellement l'opérateur

L'opérateur est muni d'un système de débrayage mécanique qui permet d'ouvrir et de fermer manuellement le portail.

Ces opérations manuelles doivent être effectuées en cas de manque de courant électrique ou d'anomalies de fonctionnement ou dans les phases d'installation.

Débrayer (fig. 9) :

01. Introduire la clé ;
02. Tourner la clé de 180° dans le sens inverse des aiguilles d'une montre ;
03. Il est alors possible de bouger manuellement le vantail dans la position désirée.

Bloquer (fig. 10) :

01. Tourner la clé de 180° dans le sens des aiguilles d'une montre ;
02. Retirer la clé.

4 BRANCHEMENTS ÉLECTRIQUES

La connexion électrique entre les différents dispositifs (photocellules, claviers numériques, lecteurs de cartes à transpondeur, etc.) présents dans l'installation et la logique de commande, doit être effectuée à travers le système « Bluebus » de Nice.

Description des connexions électriques (fig. 11)

ANTENNE entrée pour l'antenne d'un récepteur radio

FLASH sortie pour 1 clignotant avec lampe de 12 V (maximum 21 W). [*]

ELS sortie pour serrure électrique de 12 Vca (maximum 15 VA). [*]

BLUEBUS entrée pour dispositifs compatibles (MOFB, MOFOB, MOB et MOTB) ; connexion des dispositifs en parallèle à l'aide de 2 conducteurs dans lesquels passent aussi bien l'alimentation électrique que les signaux de communication ; aucune polarité à respecter. La connexion électrique à utiliser est de type parallèle et n'a besoin de respecter aucune polarité. Durant la phase de reconnaissance, chaque dispositif connecté à la logique de commande sera reconnu individuellement par cette dernière, grâce à un code univoque. Chaque fois qu'un dispositif sera ajouté ou éliminé, il sera nécessaire d'effectuer la reconnaissance de celui-ci par la logique (voir paragraphe 4.5).

STOP entrée pour dispositifs dont l'intervention provoque l'arrêt immédiat de la manœuvre en cours, suivi d'une brève inversion ; possibilité de connecter des contacts de type NO, NF ou des dispositifs avec sortie à résistance constante 8,2 kΩ (bords sensibles). Tout dispositif connecté à cette entrée est reconnu individuellement par la logique durant la phase de reconnaissance (paragraphe 3.4) ; dans cette phase, si la logique détecte une variation quelconque par rapport à l'état appris, elle provoque un STOP. Il est possible de connecter à cette entrée un ou plusieurs dispositifs même différents les uns des autres :

- connecter en parallèle plusieurs dispositifs NO, sans limites de quantité ;
- brancher en série plusieurs dispositifs NF, sans limites de quantité ;
- connecter en parallèle 2 dispositifs avec sortie à résistance constante 8,2 kΩ. S'il y a plus de 2 dispositifs, il faut les connecter en cascade avec 1 seule résistance terminale de 8,2 kΩ ;
- connecter en parallèle 2 dispositifs NO et NF, en mettant en série au contact NF une résistance de 8,2 kΩ (cela rend possible aussi la combinaison entre 3 dispositifs NO - NF et 8,2 kΩ)

P.P. entrée pour dispositifs de commande dont l'intervention provoque la manœuvre en mode Pas à pas ; possibilité de connecter des contacts de type NO

OPEN entrée pour dispositifs de commande qui en intervenant, provoquent la manœuvre d'ouverture partielle1 ; possibilité de connecter des contacts de type NO

M sortie pour opérateur sans logique de commande (HO7224)

[*] Les sorties FLASH, ELS peuvent être programmées avec d'autres fonctions (voir « TABLEAU 5 - Fonctions 1er niveau » ; ou par programmeur Oview, voir paragraphe 8.3).

4.1 - Connexions électriques des opérateurs

Attention ! - Effectuer les connexions électriques uniquement après avoir installé l'opérateur.

RECOMMANDATIONS !

- Les opérations de branchement doivent être effectuées exclusivement par du personnel qualifié.

- Toutes les connexions électriques doivent être effectuées en l'absence d'alimentation de secteur et avec la batterie tampon déconnectée si elle est présente dans l'installation.

- Sur la ligne électrique d'alimentation, il faut prévoir un dispositif assurant la déconnexion complète de l'automatisation par rapport au secteur. Le dispositif doit avoir une distance d'ouverture entre les contacts permettant une déconnexion complète dans les conditions prévues par la catégorie de surtension III, conformément aux règles d'installation.

01. Ouvrir le couvercle de l'opérateur (fig. 12-1) ;
02. Passer le câble d'alimentation et les autres câbles électriques à travers le trou présent sur la partie inférieure de l'opérateur (fig. 12-2) ;
03. Connecter en premier le câble d'alimentation du moteur avec logique de commande HO7124 : dévisser le presse-étoupe (fig. 12-3) et connecter le câble d'alimentation comme indiqué fig. 12-4 ; bloquer ensuite le câble avec le presse-étoupe (fig. 12-5) ;
04. Maintenant, connecter le câble qui alimente le moteur sans logique (HO7224) comme indiqué fig. 13 ;
05. Pour finir, connecter les câbles des différents dispositifs présents en faisant référence à la fig. 11 et au paragraphe 4.3. *Note - Pour faciliter les connexions des câbles, on peut extraire les bornes de leur logement ;*
06. Identifier dans le **Tableau 2** la typologie correspondant à l'installation à programmer et si nécessaire, sur la logique, programmer le sélecteur JA et le cavalier JB comme indiqué ;
07. Refermer le couvercle des opérateurs (fig. 12-6).

TABLEAU 2

	JA JB
	JA JB
	JA JB
	JA JB
	JA JB
	JA JB
	JA JB
	JA JB

4.2 - Connexion d'autres dispositifs

S'il faut alimenter d'autres dispositifs prévus dans l'installation, par exemple un lecteur de cartes à transpondeur ou l'éclairage du sélecteur à clé, il est possible de connecter ces dispositifs à la logique de commande sur les bornes « P.P. (positif) » et « STOP (négatif) » (fig. 11). La tension d'alimentation est de 24 Vcc (-30 % ÷ +50 %) avec courant maximum disponible de 200 mA.

Note - La tension disponible aux bornes « P.P. » et « STOP » reste présente même quand la fonction « Stand By » est activée sur la carte.

4.3 - Adressage des dispositifs connectés

Pour permettre à la logique de reconnaître les dispositifs connectés au système Bluebus, il faut effectuer l'adressage de ces derniers. Cette opération doit être effectuée en positionnant correctement le cavalier présent dans chaque dispositif, voir le guide d'instructions de chaque dispositif : voir **fig. A** et **Tableau 3**. Pour effectuer l'adressage d'autres dispositifs, consulter les guides d'instructions respectifs. À la fin de la procédure d'installation ou après l'enlèvement de photocellules ou d'autres dispositifs, il faut effectuer la procédure de reconnaissance de ces derniers ; voir le paragraphe 4.5.

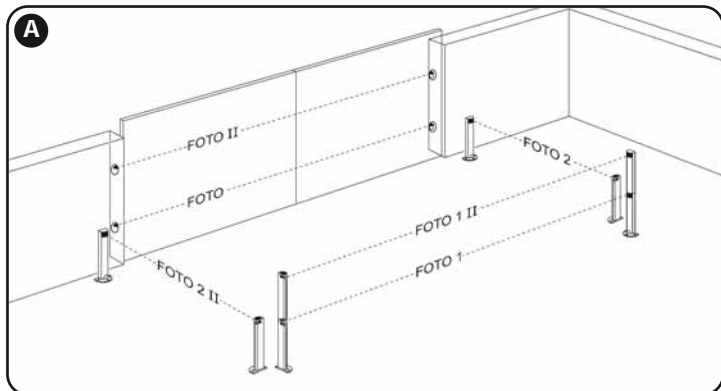


TABLEAU 3 - ADRESSES DES PHOTOCELLES

Photocellule	Cavaliers
FOTO Photocellule extérieure h = 50 avec intervention en fermeture (ferme et inverse le mouvement)	
FOTO II Photocellule extérieure h = 100 avec intervention en fermeture (ferme et inverse le mouvement)	
FOTO 1 Photocellule intérieure h = 50 avec intervention aussi bien en fermeture (ferme et inverse le mouvement) qu'en ouverture (ferme et repart quand la photocellule est libérée)	
FOTO 1 II Photocellule intérieure h = 100 avec intervention aussi bien en fermeture (ferme et inverse le mouvement) qu'en ouverture (ferme et repart quand la photocellule est libérée)	
FOTO 2 Photocellule intérieure avec intervention en ouverture (ferme et inverse le mouvement)	
FOTO 2 II Photocellule intérieure avec intervention en ouverture (ferme et inverse le mouvement)	
FOTO 3 CONFIGURATION NON AUTORISÉE	

4.4 - Première mise en service et vérification des connexions

Après avoir alimenté électriquement la logique de commande, effectuer les contrôles suivants :

- au bout de quelques secondes, vérifier que la led « Bluebus » (**fig. 15**) clignote régulièrement à la fréquence d'1 clignotement à la seconde ;
- vérifier que les leds des photocellules (**fig. 15**), tant TX que RX, émettent des clignotements. Le type de clignotement émis, dans cette phase, n'est pas significatif ;
- vérifier que le clignotant connecté à la sortie FLASH est éteint.

Si les contrôles ne donnent pas le résultat indiqué, il faut couper l'alimentation électrique de la logique et contrôler les différentes connexions électriques précédemment effectuées.

4.5 - Reconnaissance des dispositifs connectés

Après avoir effectué la première mise sous tension, il faut faire reconnaître par la logique de commande les dispositifs connectés aux entrées « Bluebus » et « Stop ».

ATTENTION ! – La phase de reconnaissance doit être effectuée même si aucun dispositif n'est connecté à la logique de commande.

La logique de commande est en mesure de reconnaître individuellement les différents dispositifs connectés grâce à la procédure de reconnaissance et de détecter les éventuelles anomalies présentes. C'est aussi la raison pour laquelle il faut procéder à la reconnaissance des dispositifs à chaque ajout ou retrait de l'un d'eux.

Les leds « L1 » et « L2 » présentes sur la logique (**fig. 15**), émettent des clignotements lents pour indiquer qu'il faut effectuer la reconnaissance :

01. Presser et maintenir enfoncées les touches « ◀ » et « Set » (**fig. 15**).
02. Relâcher les touches quand les leds « L1 » et « L2 » commencent à clignoter très rapidement (au bout d'environ 3 s).

03. Attendre quelques secondes que la logique termine la reconnaissance des dispositifs.

04. À la fin de cette phase la led « Stop » doit être allumée et les leds « L1 » et « L2 » doivent s'éteindre (les leds « L3 » et « L4 » pourraient commencer à clignoter).

4.6 - Reconnaissance des positions des butées mécaniques

Après la reconnaissance des dispositifs connectés (paragraphe 4.6), il faut procéder à la reconnaissance des positions des butées mécaniques (ouverture maximum et fermeture maximum). Cette procédure peut être exécutée en trois modalités : **automatique**, **manuelle** et **mixte**.

En **mode automatique**, la logique effectue la reconnaissance des butées mécaniques et calcule les décalages les plus appropriés pour les vantaux (SA et SC, **fig. B**).

En **mode manuel**, les six positions montrées **fig. B** sont programmées une par une en positionnant les vantaux aux endroits désirés. La position à programmer est identifiable grâce au clignotement de l'une des 6 leds (L1...L6), voir **Tableau 4**.

Dans le **mode mixte**, il est possible d'effectuer la procédure automatique puis, avec la procédure manuelle, de modifier une ou plusieurs positions à l'exception des positions « 0 » et « 1 » (**fig. B**) qui coïncident avec les positions des butées mécaniques.

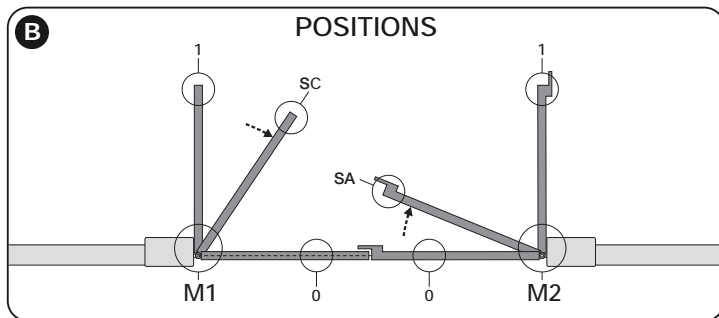


TABLEAU 4

Position	Led	Description
Position 0 (moteur 1)	L1	Position de fermeture maximum : quand le vantail 1 bat sur la butée mécanique de fermeture
Position 0 (moteur 2)	L2	Position de fermeture maximum : quand le vantail 2 bat sur la butée mécanique de fermeture
Position SA (moteur 2)	L3	Décalage en ouverture : quand le vantail 2 dépasse cette position l'ouverture du vantail 1 commence
Position SC (moteur 1)	L4	Décalage en fermeture : quand le vantail 1 se trouve en dessous de cette position la fermeture du vantail 2 commence
Position 1 (moteur 1)	L5	Position d'ouverture maximum : quand le vantail 1 bat sur la butée mécanique d'ouverture
Position 1 (moteur 2)	L6	Position d'ouverture maximum : quand le vantail 2 bat sur la butée mécanique d'ouverture

4.6.1 - Reconnaissance en mode automatique

01. Presser et maintenir enfoncées simultanément les touches « Set » et « ▶ » ;

02. Relâcher les touches quand les leds « L3 » et « L4 » commencent à clignoter très rapidement (au bout d'environ 3 s) ;

03. Vérifier que l'automatisme effectue les séquences de manœuvres suivantes :
- a - Fermeture lente de l'opérateur M1 jusqu'à la butée mécanique
 - b - Fermeture lente de l'opérateur M2 jusqu'à la butée mécanique
 - c - Ouverture lente de l'opérateur M2 et de l'opérateur M1 jusqu'à la butée mécanique
 - d - Fermeture rapide des opérateurs M1 et M2

Avertissements :

– Si la première manœuvre effectuée par un ou par les deux vantaux n'est pas une **fermeture**, presser la touche « ◀ » ou « ▶ » pour arrêter la phase de reconnaissance ; contrôler ensuite la position du sélecteur JA et du cavalier JB (voir **Tableau 2**) ou vérifier la polarité de la connexion du moteur sans logique (HO7224).

– Si la première manœuvre de **fermeture** n'est pas commandée par M1, presser la touche « ◀ » ou « ▶ » pour arrêter la phase de reconnaissance ; contrôler ensuite la position du sélecteur JA et du cavalier JB, voir **Tableau 2** ;

04. À la fin de la manœuvre de fermeture des 2 moteurs (d), les leds « L3 » et « L4 » s'éteignent en indiquant que la procédure a été exécutée correctement.

Avertissements :

– Si durant la procédure de reconnaissance automatique, il y a intervention des photocellules ou d'un dispositif connecté à l'entrée « stop », la procédure s'interrompt et la led L1 commence à clignoter. Pour réactiver la reconnaissance, il faut reprendre la procédure à partir du point 01 ;

– La procédure de reconnaissance automatique peut être effectuée de nouveau à tout moment, même après avoir effectué l'installation ; par exemple, après la variation de la position des butées mécaniques.

4.6.2 - Reconnaissance en mode manuel

Attention ! – À partir du point 03 :

- pour se déplacer de la led L1 à L6, il faut exercer une **brève pression** sur la touche ◀ ou ▶ (la led clignote, en indiquant la position actuelle) ;

– pour faire **bouger le moteur** dans un sens ou dans l'autre, il faut exercer une **pression continue** de la touche ◀ ou ▶.

01. **Presser et maintenir enfoncées** simultanément les touches « Set » et « ▶ » ;
02. Relâcher les touches quand la led « L1 » commence à clignoter (au bout d'environ 1 s) ; **Note** – *Passées 3 secondes, si les touches « Set » et « ▶ » ne sont pas relâchées, la procédure d'« apprentissage automatique » s'active à la place de la procédure manuelle.*
03. • **la led L1 clignote : position 0 de M1**
Pour commander et porter le moteur 1 dans la **position 0 (fig. B)** : **presser et maintenir enfoncée** la touche « ◀ » ou « ▶ ». Quand la position est atteinte, relâcher la touche pour arrêter la manœuvre. Pour mémoriser la position, **presser et maintenir enfoncée** la touche « Set » pendant au moins 3 s puis la relâcher (au bout de 2 s la led L1 reste allumée et quand on relâche la touche « Set » la led L2 commence à clignoter).
• **la led L2 clignote : position 0 de M2**
Pour commander et porter le moteur 2 dans la **position 0 (fig. B)** : **presser et maintenir enfoncée** la touche « ◀ » ou « ▶ ». Quand la position est atteinte, relâcher la touche pour arrêter la manœuvre. Pour mémoriser la position, **presser et maintenir enfoncée** la touche « Set » pendant au moins 3 s puis la relâcher (au bout de 2 s la led L2 reste allumée et quand on relâche la touche « Set » la led L3 commence à clignoter).
• **la led L3 clignote : position SA de M2**
Pour commander et porter le moteur 2 dans la **position SA (fig. B)** : **presser et maintenir enfoncée** la touche « ◀ » ou « ▶ ». Quand la position est atteinte, relâcher la touche pour arrêter la manœuvre. Pour mémoriser la position, **presser et maintenir enfoncée** la touche « Set » pendant au moins 3 s puis la relâcher (au bout de 2 s la led L3 reste allumée et quand on relâche la touche « Set » la led L4 commence à clignoter).
• **la led L4 clignote : position SC de M1**
Pour commander et porter le moteur 1 dans la **position SC (fig. B)** : **presser et maintenir enfoncée** la touche « ◀ » ou « ▶ ». Quand la position est atteinte, relâcher la touche pour arrêter la manœuvre. Pour mémoriser la position, **presser et maintenir enfoncée** la touche « Set » pendant au moins 3 s puis la relâcher (au bout de 2 s la led L4 reste allumée et quand on relâche la touche « Set » la led L5 commence à clignoter).
• **la led L5 clignote : position 1 de M1**
Pour commander et porter le moteur 1 dans la **position 1 (fig. B)** : **presser et maintenir enfoncée** la touche « ◀ » ou « ▶ ». Quand la position est atteinte, relâcher la touche pour arrêter la manœuvre. Pour mémoriser la position, **presser et maintenir enfoncée** la touche « Set » pendant au moins 3 s puis la relâcher (au bout de 2 s la led L5 reste allumée et quand on relâche la touche « Set » la led L6 commence à clignoter).
• **la led L6 clignote : position 1 de M2**
Pour commander et porter le moteur 2 dans la **position 1 (fig. B)** : **presser et maintenir enfoncée** la touche « ◀ » ou « ▶ ». Quand la position est atteinte, relâcher la touche pour arrêter la manœuvre. Pour mémoriser la position, **presser et maintenir enfoncée** la touche « Set » pendant au moins 3 s puis la relâcher pour sortir de la programmation (au bout de 2 s la led L6 reste allumée jusqu'à ce qu'on relâche la touche « Set »).

Note – Programmation manuelle d'une installation avec un seul opérateur : procéder comme décrit au début de ce paragraphe à partir de la phase 01. **À la phase 03** procéder comme suit :

- **programmer les positions relatives aux leds L1 (0 de M1) et L5 (1 de M1) de la façon suivante** : maintenir enfoncée la touche « Set » pendant au moins 3 s puis la relâcher (au bout de 2 s la led reste allumée et quand on relâche la touche « Set » la led successive commence à clignoter).
- **ne pas programmer les positions relatives aux leds L3 (SA de M2) - L4 (SC de M1)** : pour se déplacer rapidement entre les positions presser brièvement la touche « ◀ » ou « ▶ ».

4.6.3 - Reconnaissance en mode mixte

Effectuer cette procédure après l'exécution de l'apprentissage en mode automatique :

01. **Presser et maintenir enfoncées** simultanément les touches « Set » et « ▶ » ;
02. Relâcher les touches quand la led « L1 » commence à clignoter (au bout d'environ 1 s) ; **Note** – *Passées 3 secondes, si les touches « Set » et « ▶ » ne sont pas relâchées, la procédure d'« apprendimento automatico » s'active à la place de la procédure manuelle.*
03. Avec une brève pression de la touche « ◀ » ou « ▶ » déplacer la led clignotante (L1...L6) sur la position que l'on souhaite programmer et procéder pour chaque position, comme décrit au point 03 de la reconnaissance en mode manuel (paragraphe 4.7.2).
Répéter cette dernière opération pour toutes les autres positions que l'on souhaite modifier.

Pour terminer la reconnaissance manuelle, presser plusieurs fois la touche « ▶ », de manière à porter la led qui clignote au-delà de L6.

4.7 - Vérification du mouvement des vantaux du portail

À la fin de la phase de reconnaissance, il est conseillé de faire effectuer à la logique quelques manœuvres d'ouverture et de fermeture, de manière à vérifier le mouvement correct du portail, les éventuels défauts de montage et de réglage.

01. Presser la touche « Open » et vérifier que durant la manœuvre d'ouverture on a bien la phase d'accélération, la phase à vitesse constante et la phase

de ralentissement. Vérifier le décalage correct des vantaux en ouverture. À la fin, les vantaux doivent être parfaitement ouverts sur la butée mécanique d'ouverture ;

02. Presser la touche « Close » et vérifier que durant la manœuvre de fermeture on a bien la phase d'accélération, la phase à vitesse constante et la phase de ralentissement. Vérifier le décalage correct des vantaux en fermeture. À la fin, les vantaux doivent être parfaitement fermés sur la butée mécanique de fermeture ;
03. Vérifier, durant les manœuvres, que le clignotant effectue des clignotements réguliers de 0,5 seconde.

5 ESSAI ET MISE EN SERVICE

Celles-ci sont les phases les plus importantes de la réalisation de l'automatisation, afin de garantir la sécurité maximale de l'installation. L'essai peut également être utilisé pour vérifier périodiquement les dispositifs qui composent l'automatisation. Les phases d'essai et de mise en service de l'automatisation doivent être effectuées par un personnel qualifié et expert qui devra établir les essais nécessaires pour vérifier les solutions adoptées par rapport aux risques présents et contrôler le respect de ce qui est prévu par les lois, normes et règlements : en particulier, de toutes les caractéristiques requises par la norme EN 12445 qui établit les méthodes d'essai pour le contrôle des automatismes pour portails.

Les dispositifs supplémentaires doivent être soumis à un essai spécifique, aussi bien pour ce qui concerne la fonctionnalité que pour ce qui concerne leur correcte interaction avec POP ; se référer aux manuels d'instructions de chaque dispositif.

5.1 - Essai

La séquence d'opérations à effectuer pour l'essai se réfère à une installation typique (fig. 3):

- 1 Vérifier que tout ce qui est prévu dans le chapitre « Recommandations pour l'installation » est rigoureusement respecté.
- 2 Débloquer manuellement les opérateurs et contrôler que en agissant sur le vantail, au point prévu pour la manœuvre manuelle, il soit possible de déplacer les vantaux en ouverture et en fermeture avec une force inférieure à 390 N.
- 3 Bloquer les opérateurs (voir chapitre 3.6).
- 4 En utilisant les dispositifs de commande (émetteur, bouton de commande, sélecteur à clé, etc.), effectuer des essais d'Ouverture, Fermeture et Arrêt du portail, en veillant à ce que le mouvement des vantaux corresponde à ce qui est prévu. Il convient d'effectuer différents essais afin d'évaluer le mouvement des vantaux et de contrôler d'éventuels défauts de montage, de réglage ou la présence de points de frottement particuliers.
- 5 Verificare uno ad uno il corretto funzionamento di tutti dispositivi di ausilio alla sicurezza presenti nell'impianto (fotocellule, bordi sensibili ecc.). Quando un dispositivo interviene il led "BLUEBUS", presente sulla centrale, emette 2 lampeggi più veloci come conferma dell'avvenuto riconoscimento.
- 6 Si les situations dangereuses provoquées par le mouvement des vantaux ont été prévenues moyennant la limitation de la force d'impact, mesurer la force selon ce qui est prévu par la norme EN 12445 et éventuellement si le contrôle de la "force opérateur" est utilisé comme aide au système pour la réduction de la force d'impact, essayer et enfin trouver le réglage fournissant les meilleurs résultats.
- 7 Fissare in modo permanente, in una zona adiacente all'automazione, un'etichetta che descrive come sbloccare manualmente il motoriduttore.

5.2 - Mise en service

La mise en service ne peut avoir lieu qu'après avoir effectué de manière positive toutes les phases d'essai.

- 1 Préparer le dossier technique de l'automatisation, celui-ci devra comprendre les documents suivants : un dessin général de l'automatisation, le schéma des branchements électriques effectués, l'analyse des risques présents et les relatives solutions adoptées, la déclaration de conformité du fabricant de tous les dispositifs utilisés et la déclaration de conformité remplie par l'installateur.
- 2 Accrocher sur le portail une plaquette contenant au moins les données suivantes : type d'automatisation, nom et adresse du fabricant (responsable de la "mise en service"), numéro de fabrication, année de fabrication et marque "CE".
- 3 Remplir et fournir au propriétaire de l'automatisation la déclaration de conformité de l'automatisation.
- 4 Remplir et fournir au propriétaire de l'automatisation le **"Manuel d'utilisation"** de l'automatisation.
- 5 Remplir et fournir au propriétaire de l'automatisation le **"Plan de maintenance"** qui comprend les prescriptions concernant la maintenance de tous les dispositifs de l'automatisation.
- 6 Avant de mettre en service l'automatisation, informer de manière adéquate le propriétaire sur les dangers et les risques résiduels encore présents.
Pour toute la documentation citée, Nice à travers son propre service d'assistance technique met à disposition : manuels d'instructions, guides et fiches pré-remplies. Voir aussi sur : www.nice-service.com

6 PROGRAMMATION DE LA CENTRALE DE COMMANDE

Sur la logique se trouvent 3 touches OPEN (◀), STOP (SET), CLOSE (▶) qui peuvent être utilisées aussi bien pour commander la logique durant les phases d'essai que pour la programmation des fonctions disponibles.

Les fonctions programmables disponibles sont disposées sur 2 niveaux et leur état de fonctionnement est signalé par les 8 leds (L1...L8) présentes sur la logique (led allumée = fonction active ; led éteinte = fonction inactive).

Utiliser les touches de programmation :

OPEN (◀) : – touche pour commander l'ouverture du portail ; – touche de sélection en phase de programmation.

STOP/SET: touche pour arrêter une manœuvre ; si elle est pressée pendant plus de 5 secondes, elle permet d'entrer dans la phase de programmation.

CLOSE (▶): – touche pour commander la fermeture du portail ; – touche de sélection en phase de programmation.

6.1 - Programmation du premier niveau (ON-OFF)


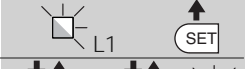



Toutes les fonctions du premier niveau sont programmées en usine sur « OFF » et peuvent être modifiées à tout moment. Pour vérifier les différentes fonctions voir **Tableau 5**. Pour la procédure de programmation voir **Tableau 6**.

IMPORTANT – La procédure de programmation présente un temps maximum de 10 secondes entre la pression d'une touche et l'autre. Une fois ce temps écoulé, la procédure prend fin automatiquement en mémorisant les modifications faites jusqu'à ce moment-là.

TABLEAU 5 - Fonctions de premier niveau

Led	Fonction	Description
L1	Fermeture automatique	<u>Fonction ACTIVE</u> : après une manœuvre d'ouverture, il y a une pause (de la durée du temps de pause programmé) après laquelle la logique de commande commence automatiquement une manœuvre de fermeture. La valeur d'usine du temps de pause est de 30 s. <u>Fonction INACTIVE</u> : le fonctionnement est de type « semi-automatique ».
L2	Reform. après photo	<u>Fonction ACTIVE</u> : si les photocellules interviennent durant la manœuvre d'ouverture ou de fermeture, le temps de pause se réduit à 5 s, indépendamment du « temps de pause » programmé. Avec la « fermeture automatique » désactivée, si les photocellules interviennent durant la fermeture, la « fermeture automatique » s'active avec le « temps de pause » programmé.
L3	Fermer toujours	<u>Fonction ACTIVE</u> : en cas de coupure du courant, même de courte durée, au retour du courant, la logique de commande détecte le portail ouvert et commence automatiquement une manœuvre de fermeture, précédée de 5 s de préclignotement. <u>Fonction INACTIVE</u> : aucune manœuvre au retour du courant électrique.
L4	Stand-by total	<u>Fonction ACTIVE</u> : 1 minute après la fin de la manœuvre, la logique éteint la sortie « Bluebus » (dispositifs connectés), le Bus T4 (dispositifs connectés), les sorties flash et ELS, certains circuits internes et toutes les leds sauf la led Bluebus qui clignotera plus lentement. Quand une commande arrive, la logique rétablit le fonctionnement normal (avec un court retard). Cette fonction permet de réduire au maximum la consommation d'énergie, aspect important avec l'alimentation par batteries ou panneaux photovoltaïques.
L5	Serrure électrique / Éclairage automatique	<u>Fonction ACTIVE</u> : la sortie « serrure électrique » commute son fonctionnement en « éclairage automatique ». <u>Fonction INACTIVE</u> : la sortie fonctionne comme serrure électrique.
L6	Préclignotement	<u>Fonction ACTIVE</u> : ajoute une pause de 3 secondes entre l'allumage du clignotant et le début de la manœuvre, pour signaler au préalable une situation de danger. <u>Fonction INACTIVE</u> : la signalisation du clignotant coïncide avec le début de la manœuvre.
L7	« Pas à pas » devient « Ouverture » et « Open » devient « Fermeture »	<u>Fonction ACTIVE</u> : les deux entrées « Pas à pas » et « Open » de la logique, ont la fonction d'« Ouverture » et de « Fermeture ». <u>Fonction INACTIVE</u> : les deux entrées « Pas à pas » et « Open » de la logique, ont la fonction de « Pas à pas » et d'« Ouverture partielle 1 ».
L8	« Flash » ou « Voyant portail ouvert »	<u>Fonction ACTIVE</u> : la sortie « Flash » de la logique commute son fonctionnement en « Voyant portail ouvert ». <u>Fonction INACTIVE</u> : la sortie « FLASH » de la logique exécute la fonction « Clignotant ».

TABLEAU 6 - Procédure de programmation premier niveau

01. Presser et maintenir enfoncée la touche « Set » pendant environ 3 s ;	
02. Relâcher la touche quand la led « L1 » commence à clignoter ;	
03. Presser la touche « ◀ » ou « ▶ » pour déplacer la led clignotante sur la led qui correspond à la fonction à modifier ;	
04. Presser la touche « Set » pour changer l'état de la fonction : (clignotement bref = OFF - clignotement long = ON) ;	
05. Attendre 10 secondes (temps maximum) pour sortir de la programmation.	
<i>Note – Pour programmer d'autres fonctions sur « ON » ou « OFF », durant l'exécution de la procédure, il faut répéter les points 03 et 04 durant la phase proprement dite.</i>	

6.2 - Programmation deuxième niveau (paramètres réglables)

Tous les paramètres du deuxième niveau sont programmés en usine comme indiqué en **gris** dans le **Tableau 7** et peuvent être modifiés à tout moment, en procédant comme décrit dans le **Tableau 8**.

Les paramètres sont réglables sur une échelle de valeurs de 1 à 8 ; pour vérifier la valeur correspondant à chaque led voir **Tableau 10**. **IMPORTANT** – La pro-

céduure de programmation présente un temps maximum de 10 secondes entre la pression d'une touche et l'autre. Une fois ce temps écoulé, la procédure prend fin automatiquement en mémorisant les modifications faites jusqu'à ce moment-là.







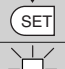

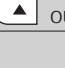



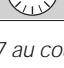
TABLEAU 7 - Fonctions de deuxième niveau

Led d'entrée	Paramètre	Led (niveau)	Valeur	Description
L1	Temps de pause	L1	5 secondes	Règle le temps de pause, à savoir le temps qui s'écoule avant la refermeture automatique. La fonction n'a d'effet que si la fermeture est active.
		L2	15 secondes	
		L3	30 secondes	
		L4	45 secondes	
		L5	60 secondes	
		L6	80 secondes	
		L7	120 secondes	
		L8	180 secondes	
L2	Fonction Pas à pas	L1	Ouverture – stop – fermeture – stop	Règle la séquence de commandes associées à l'entrée « Pas à pas », « Ouverture », « Fermeture » ou bien à la commande radio. <i>Note – En configurant L4, L5, L7 et L8, le comportement des commandes « Ouverture » et « Fermeture » est modifié.</i>
		L2	Ouverture – stop – fermeture – ouverture	
		L3	Ouverture – fermeture – ouverture – fermeture	
		L4	Fonctionnement collectif : • dans la manœuvre d'ouverture les commandes « Pas à pas » et « Ouverture » sont sans effet ; par contre, la commande « Fermeture » provoque l'inversion du mouvement, c'est-à-dire la fermeture des vantaux. • dans la manœuvre de fermeture les commandes « Pas à pas » et « Ouverture » provoquent l'inversion du mouvement, c'est-à-dire l'ouverture des vantaux ; par contre, la commande « Fermeture » ne provoque aucun effet.	
		L5	Fonctionnement collectif 2 : • dans la manœuvre d'ouverture les commandes « Pas à pas » et « Ouverture » sont sans effet ; par contre, la commande « Fermeture » provoque l'inversion du mouvement, c'est-à-dire la fermeture des vantaux. Si la commande envoyée persiste pendant plus de 2 secondes, un « Stop » est exécuté. • dans la manœuvre de fermeture les commandes « Pas à pas » et « Ouverture » provoquent l'inversion du mouvement, c'est-à-dire l'ouverture des vantaux ; par contre, la commande « Fermeture » ne provoque aucun effet. Si la commande envoyée persiste pendant plus de 2 secondes, un « Stop » est exécuté. Pas à pas 2 (moins de 2 s provoque l'ouverture partielle)	
		L6	Comm. action maintenue : la manœuvre n'est exécutée que si la commande envoyée persiste ; si le commande est interrompue la manœuvre s'arrête.	
		L7	Ouverture en « semi-automatique », fermeture avec commande « par action maintenue »	
		L8	Ouverture en « semi-automatique », fermeture avec commande « par action maintenue »	
L3	Vitesse moteurs	L1	Très lente	Règle la vitesse des moteurs durant la course normale.
		L2	Lente	
		L3	Moyenne	
		L4	Rapide	
		L5	Très rapide	
		L6	Super rapide	
		L7	Ouverture rapide, fermeture lente	
		L8	Ouverture super rapide, fermeture moyenne	
L4	Décharge moteurs après la fermeture	L1	Aucune décharge	Regola la durata della "breve inversione" di entrambi i motori, dopo l'esecuzione della manovra di Chiusura, con lo scopo di ridurre la spinta finale residua.
		L2	Niveau 1 - Décharge minimum (environ 100 ms)	
		L3	Niveau 2 - ...	
		L4	Niveau 3 - ...	
		L5	Niveau 4 - ...	
		L6	Niveau 5 - ...	
		L7	Niveau 6 - ...	
		L8	Niveau 7 - Décharge maximum (environ 1 ms)	
L5	Force moteurs	L1	Niveau 1 - Force minimum	Règle la force des deux moteurs.
		L2	Niveau 2 - ...	
		L3	Niveau 3 - ...	
		L4	Niveau 4 - ...	
		L5	Niveau 5 - ...	
		L6	Niveau 6 - ...	
		L7	Niveau 7 - ...	
		L8	Niveau 8 - Force maximum	
L6	Ouverture piétonne ou partielle	L1	Piétonne 1 (ouverture du vantail M2 à un quart de l'ouverture totale)	Règle le type d'ouverture associé à la commande « Ouverture partielle 1 ». Dans les niveaux L5, L6, L7, L8, ouverture « minimum » correspond à l'ouverture la plus petite entre M1 et M2 : par exemple si M1 ouvre à 90° et M2 ouvre à 110°, l'ouverture minimum est 90°.
		L2	Piétonne 2 (ouverture du vantail M2 à la moitié de l'ouverture totale)	
		L3	Piétonne 3 (ouverture du vantail M2 aux trois quarts de l'ouverture totale)	
		L4	Piétonne 4 (ouverture totale du vantail 2)	
		L5	Partielle 1 (ouverture des deux vantaux à un quart de l'ouverture « minimum »)	
		L6	Partielle 2 (ouverture des deux vantaux à la moitié de l'ouverture « minimum »)	
		L7	Partielle 3 (ouverture des deux vantaux aux trois quarts de l'ouverture « minimum »)	
		L8	Partielle 3 (ouverture des deux vantaux aux trois quarts de l'ouverture « minimum »)	
L7	Avis de maintenance	L1	500	Règle le nombre de manœuvres : quand ce nombre est dépassé, la logique de commande signale la demande de maintenance de l'automatisme ; voir paragraphe 6.3.2. – Avis de maintenance.
		L2	1000	
		L3	1500	
		L4	2500	
		L5	5000	
		L6	10000	
		L7	15000	
		L8	20000	

L8	Liste des anomalies	L1	Résultat 1 ^{re} manœuvre (la plus récente)	Permet de vérifier le type d'anomalie qui s'est produite durant l'exécution des 8 dernières manœuvres. Voir TABLEAU 12 - Liste historique des anomalies.
		L2	Résultat 2 ^e manœuvre	
		L3	Résultat 3 ^e manœuvre	
		L4	Résultat 4 ^e manœuvre	
		L5	Résultat 5 ^e manœuvre	
		L6	Résultat 6 ^e manœuvre	
		L7	Résultat 7 ^e manœuvre	
		L8	Résultat 8 ^e manœuvre	

Note – La couleur grise correspond aux valeurs réglées à l'usine.

TABLEAU 8 - Procédure de programmation second niveau

01. Appuyer et maintenir appuyée la touche "Set" pendant environ 3 secondes;	 3 s
02. Relâcher la touche lorsque la Del "L1" commence à clignoter;	 L1 
03. Appuyer sur la touche "◀" ou "▶" pour déplacer la Del clignotante sur la Del qui représente "Del d'entrée" du paramètre à modifier;	 ou  
04. Appuyer et maintenir appuyée la touche "Set" jusqu'à la conclusion du point 06;	
05. Attendre environ 3 secondes, jusqu'à ce que la Del, qui représente le niveau actuel du paramètre à modifier, ne s'allume;	
06. Appuyer sur la touche "◀" ou "▶" pour déplacer la Del qui représente la valeur du paramètre;	 ou  
07. Relâcher la touche "Set";	
08. Attendre 10 secondes (temps maximum) pour sortir de la programmation.	 10 s

Note – Pour programmer plusieurs paramètres, pendant l'exécution de la procédure, on doit répéter les opérations du point 03 au point 07 au cours de la phase elle-même.

6.3 - Fonctions spéciales

6.3.1 - Fonction : « Manœuvre dans tous les cas »

Cette fonction permet de faire fonctionner l'automatisme même quand l'un des dispositifs de sécurité ne fonctionne pas correctement ou est hors d'usage. Il est possible de commander l'automatisme avec « **commande à action maintenue** », en procédant de la façon suivante :

- Envoyer une commande pour actionner le portail, avec un émetteur ou avec un sélecteur à clé, etc. Si tout fonctionne correctement, le portail bougera régulièrement, en cas contraire procéder comme suit ;
- dans les 3 secondes qui suivent, actionner de nouveau la commande et la maintenir ;
- au bout de 2 secondes environ, le portail effectuera la manœuvre désirée en mode « **action maintenue** » c'est-à-dire que l'actionnement du portail ne se vérifiera que tant que la commande est maintenue.

Quand les dispositifs de sécurité ne fonctionnent pas, l'indicateur clignotant émet quelques clignotements pour signaler le type de problème (voir chapitre 6 - Tableau 10).

6.3.2 - Fonction : « Avis de maintenance »

Cette fonction, sert à signaler quand il est nécessaire de procéder à la maintenance de l'automatisme. La signalisation d'avis de maintenance est donnée par un voyant connecté à la sortie « Flash » ou « ELS » quand cette sortie est programmée comme « Voyant maintenance ». Les différentes signalisations du voyant sont indiquées dans le **Tableau 9**.

Pour programmer la valeur limite des manœuvres de maintenance, voir **Tableau 7**.

6.4 - Effacement de la mémoire

Pour effacer la mémoire de la logique de commande et rétablir les configurations d'usine, procéder de la façon suivante :

presser et maintenir enfoncées les touches « ▶ » et « ▶ » jusqu'à ce que les L1 et L2 commencent à clignoter.

Tableau 9 - Signalisation sur « Voyant maintenance »

Nombre de manœuvres	Signalisation
Inférieur à 80 % de la limite	Voyant allumé pendant 2 secondes, au début de la manœuvre d'ouverture.
Entre 81 % et 100 % de la limite	Voyant qui clignote pendant toute la durée de la manœuvre.
Au-delà de 100 % de la limite	Voyant qui clignote de manière continue.

7 QUE FAIRE SI... (guide pour la résolution des problèmes)

Certains dispositifs sont prévus pour émettre des signalisations avec lesquelles il est possible de reconnaître l'état de fonctionnement ou les éventuelles anomalies.

Si un clignotant est connecté à la sortie FLASH présente sur la logique, durant

l'exécution d'une manœuvre, il émet un clignotement toutes les secondes. Si des anomalies se vérifient, le clignotant émet des clignotements plus rapides ; ces clignotements sont répétés deux fois avec une pause d'1 seconde. Le **Tableau 10** décrit la cause et la solution pour chaque type de signalisation. Les leds présentes sur la logique donnent elles aussi des signalisations ; le **Tableau 11** décrit la cause et la solution pour chaque type de signalisation. Il est possible de contrôler les éventuelles anomalies qui se sont vérifiées durant l'exécution des 8 dernières manœuvres ; se référer au **Tableau 12**.






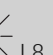




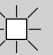

TABLEAU 10 - Signalisations émises par le clignotant (FLASH)

Clignotements	Problème	Solution
1 clignotement bref pause de 1 seconde 1 clignotement bref	Erreur sur le système Bluebus	La vérification des dispositifs connectés au système Bluebus, qui est effectuée au début de la manœuvre, ne correspond pas aux dispositifs mémorisés durant la phase de reconnaissance. Certains dispositifs peuvent être déconnectés ou en panne, il faut donc les vérifier et éventuellement les remplacer. Si des modifications ont été faites, il faut refaire la procédure de reconnaissance des dispositifs (voir paragraphe 4.6).
2 clignotements brefs pause de 1 seconde 2 clignotements brefs	Intervention d'une photocellule	Une ou plusieurs photocellules n'autorisent pas le mouvement ou ont provoqué une inversion du mouvement durant la course ; vérifier la présence éventuelle d'obstacles.
3 clignotements brefs pause de 1 seconde 3 clignotements brefs	Intervention de la fonction « Détection d'obstacles » par le limiteur de force	Durant le mouvement les moteurs ont rencontré un moment d'effort excessif ; vérifier la cause et éventuellement augmenter le niveau de force des moteurs.
4 clignotements brefs pause de 1 seconde 4 clignotements brefs	Intervention de l'entrée STOP	Au début de la manœuvre ou durant le mouvement, il y a eu une intervention des dispositifs connectés à l'entrée STOP ; en vérifier la cause.
5 clignotements brefs pause de 1 seconde 5 clignotements brefs	Erreur dans les paramètres internes de la logique de commande	Attendre au moins 30 secondes puis réessayer d'envoyer une commande et éventuellement éteindre aussi l'alimentation ; si l'état persiste, il pourrait y avoir une panne grave et il faut remplacer la carte électronique.
6 clignotements brefs pause de 1 seconde 6 clignotements brefs	La limite maximum du nombre de manœuvres consécutives ou de manœuvres à l'heure a été dépassée.	Attendre quelques minutes de manière que le limiteur de manœuvres redescende sous la limite maximum.
7 clignotements brefs pause de 1 seconde 7 clignotements brefs	Anomalie sur les circuits électriques	Attendre au moins 30 secondes puis réessayer d'envoyer une commande et éventuellement éteindre aussi l'alimentation ; si l'état persiste, il pourrait y avoir une panne grave et il faut remplacer la carte électronique.
8 clignotements brefs pause de 1 seconde 8 clignotements brefs	Il y a déjà une commande qui ne permet pas d'en exécuter d'autres.	Vérifier la nature de la commande toujours présente ; par exemple, il peut s'agir de la commande provenant d'une horloge sur l'entrée « ouverture ».
9 clignotements brefs pause de 1 seconde 9 clignotements brefs	L'automatisme a été bloqué par une commande « Blocage de l'automatisme ».	Débloquer l'automatisme en envoyant la commande « Déblocage de l'automatisme ».

TABLEAU 11 - Signalisations des leds présentes sur la logique de commande (fig. 14)

Led	Problème	Solution
BLUEBUS Toujours éteinte	Anomalie	Vérifier si la logique est alimentée ; vérifier si les fusibles sont intervenus. Si c'est le cas, vérifier la causa de la panne et les remplacer par d'autres de même valeur.
Toujours allumée	Anomalie grave	Il y a un problème grave : essayer de couper l'alimentation électrique de la logique et si le problème persiste il faut remplacer la carte électronique
1 clignotement par seconde	Tout est normal	Fonctionnement normal de la logique
2 clignotements rapides	Variation de l'état des entrées	C'est normal s'il y a une variation dans l'une des entrées (PP, STOP, OPEN, CLOSE) : intervention des photocellules ou transmission d'une commande par un émetteur
Serie di lampeggi divisi da una pausa di 1 secondo	Divers	Se référer au Tableau 10
STOP Toujours éteinte	Intervention des dispositifs connectés à l'entrée STOP	Vérifier les dispositifs de l'entrée STOP
Toujours allumée	Tout est normal	Entrée STOP active
P.P. Toujours éteinte	Tout est normal	Entrée PP non active
Toujours allumée	Intervention de l'entrée P.P.	C'est normal si le dispositif connecté à l'entrée PP est actif
OPEN Toujours éteinte	Tout est normal	Entrée OPEN non active.
Toujours allumée	Intervention de l'entrée OPEN	C'est normal si le dispositif connecté à l'entrée OPEN est actif
L1 - L2 Clignotement lent	Variation du nombre de dispositifs connectés au Bluebus ou reconnaissance du dispositif non effectuée	Il faut effectuer la reconnaissance des dispositifs (voir paragraphe 4.5)
L3 - L4 Clignotement lent	La reconnaissance des positions des butées mécaniques n'a jamais été effectuée	Il faut effectuer la reconnaissance (voir paragraphe 4.6).
L5 Clignotement lent	Tout est normal	À la sortie ELS a été attribuée une fonction différente de « serrure électrique » et « éclairage automatique ».
L7 Clignotement lent	Tout est normal	Aux entrées P.P. et OPEN a été attribuée une combinaison de fonctions différentes de « Pas à pas » et « Ouverture partielle 1 » ou d'« ouverture » et « fermeture ».
L8 Clignotement lent	Tout est normal	À la sortie FLASH a été attribuée une fonction différente de « clignotant » et « voyant portail ouvert ».

TABLEAU 12 - Liste historique des anomalies

01. Presser et maintenir enfoncée la touche « Set » pendant environ 3 s ;	 3 s
02. Relâcher la touche quand la led « L1 » commence à clignoter ;	 L1 
03. Presser la touche « ◀ » ou « ▶ » pour se déplacer de la led clignotante à la led L8 (« led d'entrée ») pour le paramètre « Liste anomalies » ;	 ou  
04. Presser et maintenir enfoncée la touche « Set » jusqu'à la fin du point 06 ;	
05. Attendre environ 3 secondes, jusqu'à ce que les leds qui représentent les niveaux correspondant aux manœuvres qui ont présenté des anomalies s'allument. La led L1 indique le résultat de la manœuvre plus récente tandis que la led L8 indique la huitième manœuvre. Si la led est allumée, cela signifie que des anomalies se sont vérifiées, tandis que si la led est éteinte tout est normal ;	3 s 
06. Presser les touches « ◀ » et « ▶ » pour sélectionner la manœuvre désirée : la led correspondante effectue un nombre de clignotements égal à ceux normalement effectués par le clignotant ;	 et  
07. Relâcher la touche « Set ».	

8 APPROFONDISSEMENTS

HOPP peut être équipé des accessoires en option suivants : récepteurs de la famille SMXI, OXI, le programmeur Oview, le panneau à énergie solaire Solemyo et la batterie tampon mod. PS124.

8.1 - Connexion d'un récepteur radio

La logique de commande présente un connecteur pour la connexion des récepteurs radio (accessoire en option) appartenant à la famille SMXI ou OXI.

Pour connecter un récepteur, il faut couper l'alimentation électrique à la logique et procéder comme illustré fig. 16. Les Tableaux 13 et Tableaux 14 indiquent les commandes qui correspondent aux sorties présentes sur la logique.

8.2 - Branchement et installation de la batterie tampon mod. PS124

ATTENTION ! - Le branchement électrique de la batterie à la centrale ne doit être effectué qu'après avoir conclu toutes les phases d'installation et de programmation, car la batterie représente une alimentation électrique d'urgence.

Pour installer et brancher la batterie, suivre les phases de montage illustrées à la fig. 17.

TABLEAU 13

SMXI / SMXIS ou OXI / OXIFM / OXIT / OXITFM en mode I ou Mode II

Sortie N°1	Commande « PP » (pas à pas)
Sortie N°2	Commande « Ouverture partielle 1 »
Sortie N°3	Commande « Ouverture »
Sortie N°4	Commande « Fermeture »

TABLEAU 14 - OXI / OXIFM / OXIT / OXITFM en Mode II étendu

N°	Commande	Description
1	Pas à pas	Commande « PP » (pas à pas)
2	Ouverture partielle 1	Commande « Ouverture partielle 1 »
3	Ouverture	Commande « Ouverture »
4	Fermeture	Commande « Fermeture »
5	Stop	Arrête la manœuvre
6	Pas à pas collectif	Commande en modalité Fonctionnement collectif
7	Pas à pas haute priorité	Commande aussi avec automatisme bloqué ou commandes actives
8	Ouverture partielle 2	Ouverture partielle (ouverture du vantail M2, égale à la moitié de l'ouverture totale)
9	Ouverture partielle 3	Ouverture partielle (ouverture des deux vantaux, égale à la moitié de l'ouverture totale)
10	Ouverture et blocage de l'automatisme	Provoque une manœuvre d'ouverture et à la fin de celle-ci le blocage de l'automatisme ; la logique n'accepte aucune autre commande à l'exception de « Pas à pas haute priorité », « Déblocage de l'automatisme » ou (uniquement avec Oview) les commandes : « Déblocage et fermeture » et « Déblocage et ouverture »
11	Fermeture et blocage de l'automatisme	Provoque une manœuvre de fermeture et à la fin de l'automatisme ; la logique n'accepte aucune autre commande à l'exception de « Pas à pas haute priorité », « Déblocage de l'automatisme » ou (uniquement avec Oview) les commandes : « Déblocage et fermeture » et « Déblocage et ouverture »
12	Blocage de l'automatisme	Provoque un arrêt de la manœuvre et le blocage de l'automatisme ; la logique n'accepte aucune autre commande à l'exception de « Pas à pas haute priorité », « Déblocage de l'automatisme » ou (uniquement avec Oview) les commandes : « Déblocage et fermeture » et « Déblocage et ouverture »
13	Déblocage de l'automatisme	Provoque le déblocage de l'automatisme et le rétablissement du fonctionnement normal
14	Activation temporisateur clairage automatique	Allumage de la sortie Éclairage automatique avec extinction temporisée
15	Marche - Arrêt éclairage automatique	Allumage et extinction de la sortie Éclairage automatique en modalité pas à pas

8.3 - Branchement du programmeur Oview

Sur la centrale est présent le connecteur BusT4 auquel il est possible de brancher l'unité de programmation Oview, qui permet une gestion complète et rapide de la phase d'installation, de maintenance et de diagnostic de toute l'automatisation. Pour accéder au connecteur, il est nécessaire de procéder comme illustré à la fig. 18 et de brancher le connecteur dans le logement prévu à cet effet. L'Oview peut être branché à plusieurs Centrales simultanément (jusqu'à 5 sans précautions particulières, jusqu'à 60 en suivant les recommandations) et peut rester branché à la centrale durant le fonctionnement normal de l'automatisation. Dans ce cas, il peut être utilisé pour envoyer directement les commandes à la centrale en utilisant le menu "utilisateur" spécifique. Il est également possible d'effectuer la mise à jour du Firmware. Si sur la centrale est présent un récepteur radio appartenant à la famille OXI, en utilisant l'Oview il est possible d'avoir accès aux paramètres des émetteurs mémorisés dans le récepteur. Pour tous les approfondissements, consulter le respectif manuel d'instructions et le manuel du système "Opera system book".

8.4 - Connexion du système à énergie solaire Solemyo

ATTENTION ! – Quand l'automatisme est alimenté par le système « Solemyo », il NE DOIT PAS ÊTRE ALIMENTÉ simultanément aussi par le secteur électrique.

Pour plus de détails sur le système Solemyo, se référer à la notice spécifique. Pour effectuer la connexion du système Solemyo, procéder comme illustré fig. 19.

8.5 - Connexion du système de débrayage extérieur Kio (fig. 20)

ATTENTION ! – Kio doit être connecté à l'opérateur qui manœuvre le vantail qui démarre en premier (en partant de la position de portail fermé).

01. Enlever le couvercle en plastique (1);
02. Introduire le pivot (3) dans le trou de l'arbre de débrayage (2);
03. Introduire le câble en acier (7) d'abord dans la vis (4, puis dans le trou spécifique (5) puis dans le trou du pivot (3);
04. Accrocher le ressort (6) avec les deux extrémités comme indiqué dans la figure ;
05. Bloquer le câble en vissant la vis prévue à cet usage (4);
06. Faire passer l'autre extrémité du câble du moteur à travers le trou présent sur la partie inférieure de l'opérateur ;
07. Remettre le couvercle en plastique (1);
08. Connecter ensuite le câble à Kio en suivant les indications du guide d'instructions.

9 MAINTENANCE DU PRODUIT

Pour maintenir constant le niveau de sécurité et pour garantir la durée maximale de toute l'automatisation, une maintenance régulière est nécessaire.

La maintenance doit être effectuée dans le respect total des prescriptions sur la sécurité du présent manuel et conformément à ce qui est prévu par les lois et normes en vigueur.

Contrôler fréquemment sur le produit qu'il n'y ait pas de déséquilibres des vantaux ou de signes d'usure, ou de dommages aux câbles. Ne pas utiliser le produit au cas où des réparations ou des réglages seraient nécessaires.

Important – Durant les phases de maintenance ou d'entretien du produit, débrancher la centrale de l'alimentation électrique et des batteries si elles sont prévues.

Pour les autres dispositifs présents sur l'installation, suivre ce qui est prévu dans les respectifs plans de maintenance.

Pour les opérateurs HO7124, HO7224 est nécessaire une maintenance programmée au maximum dans les 6 mois ou 20.000 manœuvres qui suivent la précédente maintenance.

Pour effectuer la maintenance, procéder de la façon suivante :

01. Débrancher toute source d'alimentation électrique, éventuelles batteries tampon comprises ;
02. Contrôler l'état de détérioration des pattes et des chevilles de fixation avec une attention particulière pour les phénomènes d'érosion ou d'oxydation

des parties ; remplacer les parties qui ne fournissent pas de garanties suffisantes ;

03. Effectuer un essai de déblocage pour vérifier son fonctionnement correct, voir paragraphe 3.6.
04. Rebrancher les sources d'alimentation électrique et effectuer tous les essais et les contrôles prévus au chapitre 5 - Essai.

MISE AU REBUT DU PRODUIT

Ce produit est partie intégrante de l'automatisation et doit donc être éliminé avec celle-ci.

Comme pour les opérations d'installation, même à la fin de la vie de ce produit, les opérations de démantèlement doivent être effectuées par un personnel qualifié.

Ce produit est composé de différents types de matériaux : certains peuvent être recyclés, d'autres doivent être éliminés. S'informer sur les systèmes de recyclage ou de mise au rebut prévus par les règlements en vigueur sur le territoire, pour cette catégorie de produit.

Attention ! – Certaines parties du produit peuvent contenir des substances polluantes ou dangereuses qui, si dispersées dans l'environnement, pourraient provoquer des effets nocifs sur l'environnement et sur la santé humaine.

Comme indiqué par le symbole ci-contre, il est interdit de jeter ce produit dans les déchets domestiques. Effectuer une "collecte séparée" pour la mise au rebut, selon les méthodes prévues par les règlements en vigueur sur le territoire, ou amener le produit au vendeur au moment de l'achat d'un nouveau produit équivalent.



Attention ! – les règlements en vigueur au niveau local peuvent prévoir de lourdes sanctions en cas de mise au rebut abusif de ce produit.

Mise au rebut de la batterie tampon (si présente)

Attention ! – La batterie déchargée contient des substances polluantes et ne doit pas être jetée dans les déchets communs.

Il faut l'éliminer en utilisant les méthodes de collecte séparée, prévues par les normes en vigueur dans le territoire.

CARACTÉRISTIQUES TECHNIQUES DU PRODUIT

AVERTISSEMENTS : • Toutes les caractéristiques techniques indiquées se réfèrent à une température ambiante de 20 °C (± 5 °C). • Nice S.p.a. se réserve le droit d'apporter des modifications au produit à tout moment si elle le jugera nécessaire, en garantissant dans tous les cas les mêmes fonctions et le même type d'utilisation prévu.

	HO7124	HO7224
Typologie	Opérateur électromécanique pour automatismes de portails et portes automatiques avec moteur en courant continu, réducteur épicycloïdal, débrayage mécanique. Logique de commande incorporée et récepteur radio OXI.	Opérateur électromécanique pour automatismes de portails et portes automatiques avec moteur en courant continu, réducteur épicycloïdal, débrayage mécanique.
Couple maximum	250 Nm	
Couple nominal	100 Nm	
Vitesse à vide	0,17 rad/s (1,6 rpm)	
Vitesse au couple nominal	0,13 rad/s (1,2 rpm)	
Fréquence maximale des cycles *	35 cycles/heure	
Temps maximum cycle continu **	10 minutes	
Limites d'utilisation	le produit peut être utilisé sur des portails avec vantail pesant jusqu'à 250 kg pour des longueurs jusqu'à 1,5 m et jusqu'à 160 kg pour des longueurs jus' à 2,4 m	
Durabilité	estimée entre 80 000 cycles et 250 000 cycles, suivant les conditions indiquées dans le Tableau 15 et dans le Graphique 3	
Alimentation	230 V~ (120 V~ pour version HO7124/V1) ±10%; 50/60 Hz	24 V== (±25%)
Alimentation de secours	prévision pour batteries tampon PS124	
Alimentation par panneaux solaires	prévision pour kit SYKCE	
Puissance maximum absorbée au couple nominal	170 W	50 W
Puissance de crête	280 W	100 W
Courant nominal absorbé	0,8 A (1,6 A pour version HO7124/V1)	2 A
Courant maximum absorbé	1,3 A (2,6 A pour version HO7124/V1)	4 A (pour une durée maximum d'1)
Puissance absorbée en « Stand-by total » avec alimentation par PS124 ou kit SYKCE (récepteur OXI compris)	inférieure à 100 mW	
Sortie clignotant ***	un clignotant LUCYB (ampoule 12 V==, 21 W)	
Sortie serrure électrique ***	une serrure électrique de 12 V~ max 15 VA	
Sortie Bluebus	une sortie avec charge maximum de 15 unités Bluebus (maximum 6 paires de photocellules MOFB ou MOFOB plus 2 paires de photocellules MOFB ou MOFOB adressées comme dispositifs d'ouverture plus maximum 4 dispositifs de commande MOMB ou MOTB)	
Entrée STOP	pour contacts normalement fermés, normalement ouverts ou à résistance constante 8,2 kΩ ; la sélection du type de contact s'effectue en auto-apprentissage et une variation par rapport à l'état mémorisé provoque la commande « STOP »	
Entrée PP	pour contacts normalement ouverts (la fermeture du contact provoque la commande Pas à pas)	
Entrée OPEN	pour contacts normalement ouverts (la fermeture du contact provoque la commande « Ouverture partielle 1 »)	
Connecteur radio	connecteur « SM » pour récepteurs de la famille SMXI, OXI et OXIFM	
Entrée ANTENNE radio	50 Ω pour câble type RG58 ou analogues	
Fonctions programmables	8 fonctions de type ON-OFF (Tableau 5) et 8 fonctions réglables (Tableau 6)	
Fonctions en auto-apprentissage	• Auto-apprentissage des dispositifs connectés à la sortie BlueBUS. • Auto-apprentissage du type de dispositif connecté à la borne « STOP » (contact NO, NF ou résistance 8,2 kΩ) • Auto-apprentissage de la course des vantaux et calcul en automatique des points de ralentissement et d'ouverture partielle. • Auto-apprentissage du fonctionnement à un ou deux moteurs	
Montage	Verticale, avec une plaque de fixation spécifique	
Température de fonctionnement	de -20°C à +50°C (aux basses températures l'efficacité de l'opérateur diminue)	
Utilisation en atmosphère particulièrement acide ou saline ou potentiellement explosive	NON	
Indice de protection	IP 54 (avec boîtier intact)	
Dimensions (mm)	180 x 252 x 290 h	
Poids (kg)	9	6,5

[*] Fréquence des cycles à la température maximum : 25 cycles/heure

[**] Temps maximum de cycle continu à la température maximum : 8 minutes

[***] Les sorties « Clignotant » et « Serrure Électrique » peuvent être programmées avec d'autres fonctions (voir « TABLEAU 5 - Fonctions 1er niveau » ; ou par programmeur Oview, voir paragraphe 8.3). Les caractéristiques électriques des sorties s'adaptent suivant le type de fonction choisie : • fonction clignotant : ampoule 12 V==, 21 W max ; • fonction serrure électrique : 12 V~ 15 VA max ; • autres sorties (tous les types) : 1 ampoule ou relais 24 V== (-30 et +50%), 4 W max.

DURABILITÉ DU PRODUIT

La durabilité est la vie économique moyenne du produit. La valeur de la durabilité est fortement influencée par l'indice de charge de travail des manœuvres effectuées par l'automatisme : c'est-à-dire la somme de tous les facteurs qui contribuent à l'usure du produit (voir Tableau 15).

Pour établir la durabilité probable de votre automatisme procéder de la façon suivante :

01. Calculer l'indice de charge de travail en additionnant les valeurs en pourcentage des données présentes dans le **Tableau 15**;

02. Dans le **Graphique 3** de la valeur qui vient d'être trouvée, tracer une ligne verticale jusqu'à l'intersection avec la courbe ; à partir de ce point tracer une ligne horizontale jusqu'à l'intersection avec la ligne des « cycles de manœuvres ». La valeur déterminée est la durabilité estimée de votre produit.

L'estimation de durabilité est effectuée sur la base des calculs de projet et des résultats d'essais effectués sur les prototypes. En effet, s'agissant d'une estimation, elle ne représente aucune garantie sur la durée effective du produit.

Exemple du calcul de durabilité d'un opérateur HOPP (se référer au Tableau 15 et au Graphique 3):

- longueur du vantail = 1,3 m (indice de charge de travail : 15%);

- poids du vantail : 180 Kg (indice de charge de travail : 30%);

- vantail plein (indice de charge de travail : 15%);

Indice de charge de travail total = 60%;

Durabilité estimée = 100.000 cycles de manœuvres

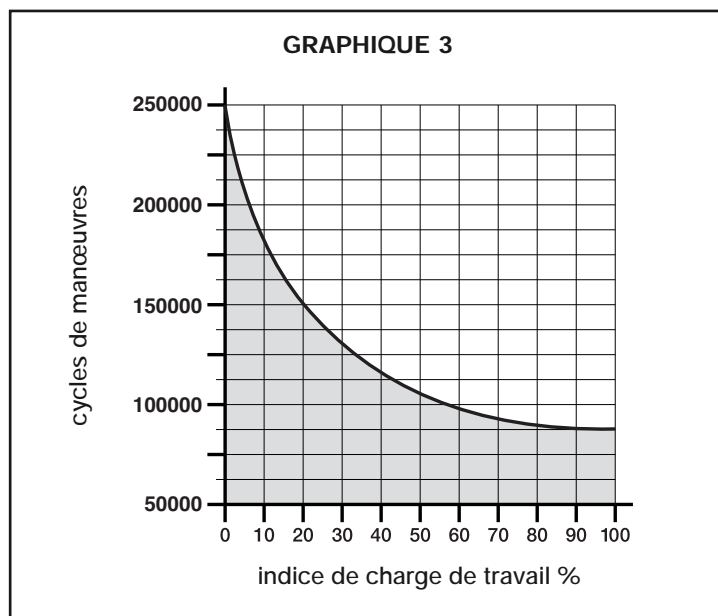


TABLEAU 15		
		Indice de charge de travail
Longueur du vantail	< 1,0 m	-
	1,0 - 1,5 m	15%
	1,5 - 2,4 m	20%
Poids du vantail	< 100 kg	-
	100 - 150 kg	20%
	150 - 250 kg	30%
Température ambiante supérieure à 40 °C ou inférieure à 0 °C ou humidité supérieure à 80 %		20%
Vantail plein		15%
Installation dans une zone venteuse		15%
<i>Note - Les données se réfèrent à une porte sectionnelle équilibrée et parfaitement entretenue</i>		

DÉCLARATION CE DE CONFORMITÉ et déclaration d'incorporation de « quasi-machine »

Déclaration conformément aux Directives : 2004/108/CE (EMC) ; 2006/42/CE (DM) annexe II, partie B

*Note - Le contenu de cette déclaration de conformité correspond à ce qui est déclaré dans le document officiel, déposé au siège de Nice S.p.a., et en particulier à sa dernière révision disponible avant l'impression de ce guide. Ce texte a été réadapté pour des raisons d'édition.
Une copie de la déclaration originale peut être demandée à Nice S.p.a. (TV) I.*

Numéro déclaration : 376/HOPP

Révision : 0

Langue : FR

Nom producteur : NICE s.p.a.
Adresse : Via Pezza Alta 13, 31046 Rustignè di Oderzo (TV) Italie
Personne autorisée à constituer la documentation technique : M. Oscar Marchetto
Adresse : Via Pezza Alta 13, 31046 Rustignè di Oderzo (TV) Italie
Type de produit : Opérateur électromécanique « HOPP » avec logique de commande incorporée
Modèle / Type : HO7124, HO7224
Accessoires : SMXI, OXI, PS124, Oview

Je soussigné Luigi Paro en qualité d'Administrateur Délégué, déclare sous mon entière responsabilité que le produit susmentionné est conforme aux dispositions imposées par les directives suivantes :

- DIRECTIVE 2004/108/CE DU PARLEMENT EUROPÉEN ET DU CONSEIL du 15 décembre 2004 concernant le rapprochement des législations des États membres relatives à la compatibilité électromagnétique et qui abroge la directive 89/336/CEE, selon les normes harmonisées suivantes :
EN 61000-6-2:2005, EN 61000-6-3:2007

De plus, le produit est conforme à la directive suivante, selon les exigences prévues pour les « quasi-machines » :

- Directive 2006/42/CE DU PARLEMENT EUROPÉEN ET DU CONSEIL du 17 mai 2006 relative aux machines et qui modifie la directive 95/16/CE (refonte)
 - Nous déclarons que la documentation technique pertinente a été remplie conformément à l'annexe VII B de la directive 2006/42/CE et que les conditions essentielles suivantes ont été respectées :
1.1- 1.1.2- 1.1.3- 1.2.1-1.2.6- 1.5.1-1.5.2- 1.5.5- 1.5.6- 1.5.7- 1.5.8- 1.5.10- 1.5.11
 - Le producteur s'engage à transmettre aux autorités nationales, suite à une demande dûment motivée, les informations pertinentes sur la « quasi-machine », sans que cela porte préjudice à ses droits de propriété intellectuelle.
 - Si la « quasi-machine » est mise en service dans un pays européen avec une langue officielle différente utilisée dans la présente déclaration, l'importateur a l'obligation d'associer à la présente déclaration la traduction correspondante.
 - Il est précisé que la quasi-machine ne doit pas être mise en service tant que la machine finale dans laquelle elle doit être incorporée n'a pas été elle-même déclarée conforme aux dispositions pertinentes de la directive 2006/42/CE.

De plus, le produit est conforme aux normes suivantes :

EN 60335-1:2002 + A1:2004 + A11:2004 + A12:2006 + A2:2006 + A13:2008
EN 60335-2-103:2003

Le produit est conforme, pour ce qui est des seules parties applicables, aux normes suivantes :

EN 13241-1:2003, EN 12445:2002, EN 12453:2002, EN 12978:2003

Oderzo, le 24 janvier 2011

Ing. Luigi Paro (Administrateur Délégué)



Índice

1 - ADVERTENCIAS Y PRECAUCIONES GENERALES	1
1.1 - Advertencias de seguridad	1
1.2 - Advertencias para la instalación	1
1.3 - Advertencias para el uso	1
2 - DESCRIPCIÓN DEL PRODUCTO Y USO PREVISTO	1
3 - INSTALACIÓN	2
3.1 - Controles preliminares a la instalación.....	2
3.2 - Límites de utilización.....	2
3.3 - Trabajos de predisposición para la instalación	2
3.4 - Instalación del motorreductor mod. HO7124 - HO7224.....	2
3.5 - Regulación de los fines de carrera mecánicos	3
3.6 - Desbloqueo y bloqueo manual del motorreductor.....	3
4 - CONEXIONES ELÉCTRICAS	3
4.1 - Conexiones eléctricas de los motorreductores	3
4.2 - Conexión de otros dispositivos	3
4.3 - Direccionamiento de los dispositivos conectados	3
4.4 - Primer encendido y control de las conexiones	4
4.5 - Aprendizaje de los dispositivos conectados	4
4.6 - Aprendizaje de las posiciones de los topes mecánicos	4
4.7 - Control del movimiento de las hojas de la cancela.....	5
5 - ENSAYO Y PUESTA EN SERVICIO	5
5.1 - Ensayo	5
5.2 - Puesta en servicio	5
6 - PROGRAMACIÓN DE LA CENTRAL DE MANDO	6
6.1 - Programación del primer nivel (ON-OFF).....	6
6.2 - Programación del segundo nivel (parámetros regulables).....	6
6.3 - Funciones especiales.....	8
6.4 - Borrado de la memoria	8
7 - QUÉ HACER SI... (guía para solucionar los problemas)	9
8 - OTRAS INFORMACIONES	10
8.1 - Conexión de un receptor	10
8.2 - Conexión e instalación de la batería compensadora mod. PS124.....	10
8.3 - Conexión del programador Oview.....	11
8.4 - Conexión del sistema de energía solar Solemyo	11
8.5 - Conexión del sistema de desbloqueo exterior Kio.....	11
9 - MANTENIMIENTO DEL PRODUCTO	11
ELIMINACIÓN DEL PRODUCTO	11
CARACTERÍSTICAS TÉCNICAS DEL PRODUCTO	12
Durabilidad del producto.....	13
DECLARACIÓN DE CONFORMIDAD CE	14
ANEXO	I
Instrucciones y advertencias destinadas al usuario	III
Imágenes	IX

1.1 - Advertencias de seguridad

- **¡ATENCIÓN!** – Este manual contiene importantes instrucciones y advertencias acerca de la seguridad. Una instalación incorrecta puede causar graves lesiones. Antes de iniciar los trabajos, es necesario leer detenidamente todas las partes del manual. En caso de dudas, interrumpa la instalación y solicite información al Servicio de Asistencia Nice.
- **¡ATENCIÓN!** – Instrucciones importantes: conserve este manual para posibles intervenciones de mantenimiento y eliminación del producto.
- **¡ATENCIÓN!** – Según la más reciente legislación europea, la ejecución de un portón o puerta automática debe cumplir las normas previstas por la Directiva 2006/42/CE (ex 98/37/CE) (Directiva de Máquinas) y, en concreto, las normas EN 12445; EN 12453; EN 12635 y EN 13241-1, que permiten declarar la conformidad del automatismo. **Considerando lo anterior, todas las operaciones de instalación, conexión, ensayo y mantenimiento del producto deberán ser realizadas únicamente por un técnico cualificado y competente!**

1.2 - Advertencias de instalación

- Antes de comenzar la instalación, compruebe si el producto es apto para el tipo de uso deseado (véanse los "Límites de uso" en el párrafo 3.2 y las "Características técnicas del producto"). Si no es apto, NO continúe con la instalación.
- El contenido de este manual se refiere a un sistema típico como aquel que se muestra en la fig. 3.
- **Todas las operaciones de instalación y mantenimiento deben efectuarse con el automatismo desconectado de la alimentación eléctrica.** Si el dispositivo de desconexión de la alimentación no resulta visible desde el lugar en el que está situado el automatismo, antes de comenzar los trabajos es necesario fijar al dispositivo de desconexión un cartel con el mensaje "¡ATENCIÓN! MANTENIMIENTO EN CURSO".
- La central debe ser conectada a una línea de alimentación eléctrica dotada de puesta a tierra de seguridad.
- Durante la instalación, maneje con cuidado el producto, evitando aplastamientos, golpes, caídas o el contacto con líquidos de cualquier tipo. No coloque el producto cerca de fuentes de calor ni lo exponga a llamas libres. Todas estas acciones pueden dañarlo y provocar funcionamientos defectuosos o situaciones de peligro. Si ocurriese esto, interrumpa inmediatamente la instalación y acuda al Servicio de Asistencia Nice.
- No efectúe modificaciones en ninguna parte del producto. Las operaciones no permitidas no pueden causar más que funcionamientos defectuosos. El fabricante declina toda responsabilidad por daños derivados de modificaciones arbitrarias del producto.
- Si la puerta o portón que se desea automatizar incluye una puerta peatonal, es necesario preparar la instalación con un sistema de control que deshabilite el funcionamiento del motor cuando la puerta peatonal esté abierta.
- El material del embalaje del producto debe eliminarse cumpliendo plenamente la normativa local.

1.3 - Advertencias de uso

- El producto no está destinado a su uso por parte de personas (niños incluidos) cuyas capacidades físicas, sensoriales o mentales se hallen disminuidas, o que carezcan de la experiencia o conocimientos necesarios, a no ser que una persona responsable de su seguridad les proporcione supervisión o instrucciones acerca del uso del producto.
- Es necesario mantener vigilados a los niños que se encuentren cerca de la automatismo; asegúrese de que no jueguen con él.
- No permita que los niños jueguen con los dispositivos de mando fijos. Mantenga los dispositivos de mando portátiles (remotos) fuera del alcance de los niños.

2 DESCRIPCIÓN DEL PRODUCTO Y USO PREVISTO

Los dispositivos que componen este producto están destinados para ser utilizados en la automatización de puertas o portones de hojas de batiente para uso residencial e industrial. **¡ATENCIÓN!** – **¡Cualquier otro empleo que no sea aquel descrito y en condiciones ambientales diferentes de aquellas indicadas en este manual debe ser considerado inadecuado y está prohibido!**

La parte principal del automatismo está formada por uno o dos motorreductores electromecánicos (según el número de hojas por automatizar), cada uno equipado con un motor de corriente continua y un reductor con engranajes de dientes rectos. Uno de los motorreductores (mod. HO7124) incorpora una central de mando que controla el funcionamiento. La central está formada de una tarjeta con un receptor para recibir los mandos enviados por el transmisor. La central está predisuelta para ser conectada a varios dispositivos pertenecientes al Sistema Opera, al sistema Bluebus y al sistema de alimentación por energía solar Solemyo, véase el capítulo 8 – Otras informaciones. Puede montar una batería de compensación (mod. PS124, accesorio opcional) que, en caso de corte de la energía eléctrica garantiza que el automatismo pueda realizar, en las horas sucesivas, algunos movimientos.

En el caso de corte de la energía eléctrica las hojas de la puerta se podrán mover desbloqueando el motorreductor con la llave específica, véase el párrafo 3.6. Otros accesorios disponibles son los receptores predispuertos con conexión "SM" (SMXI, OXI, etc.), véase el capítulo 8 – Otras informaciones.

3 INSTALACIÓN

3.1 - Comprobaciones previas a la instalación

Antes de comenzar la instalación, es necesario comprobar la integridad de los componentes del producto, la adecuación del modelo elegido y la idoneidad del ambiente destinado a su instalación:

- Compruebe que todo el material que se vaya a utilizar esté en perfecto estado y que sea apto para el uso previsto.
- Compruebe que la instalación incluya los topes mecánicos de suelo (no incluidos), tanto de cierre como de apertura.
- Compruebe que la estructura mecánica de la puerta sea apta para su automatización y conforme a las normas vigentes en el territorio (en caso necesario consulte los datos indicados en la etiqueta de la puerta). Este producto no puede automatizar una puerta que no sea eficiente y segura de por sí; además, no puede resolver defectos causados por una instalación incorrecta de la puerta o por un mantenimiento deficiente de esta.
- Compruebe que las condiciones de funcionamiento de los dispositivos sean compatibles con los límites de uso declarados (véase el párrafo 3.2).
- Mueva manualmente las hojas de la puerta en ambas direcciones y asegúrese de que el movimiento se produzca con una fricción constante en todos los puntos de la carrera (no debe haber puntos que requieran un esfuerzo mayor o menor).
- Ponga manualmente las hojas de la puerta en una posición cualquiera; luego déjelas detenidas y asegúrese de que no se muevan.
- Compruebe que la zona de fijación del motorreductor sea compatible con las medidas totales de este (fig. 1).
- Asegúrese de que en el ambiente en el que se debe instalar el motorreductor haya espacio suficiente para la rotación completa de su brazo (fig. 2).
- Asegúrese de que en la zona cercana al motorreductor haya espacio suficiente para efectuar la maniobra manual de desbloqueo del motorreductor.
- Asegúrese de que las superficies elegidas para instalar los diversos dispositivos sean sólidas y capaces de garantizar una fijación estable.
- Asegúrese de que cada uno de los dispositivos a instalar sea colocado en una posición protegida y resguardada contra golpes accidentales.
- Compruebe que todos los cables eléctricos utilizados sean del tipo indicado en la Tabla 1.

3.2 - Límites de utilización

Antes de instalar el motorreductor, lleve a cabo los siguientes controles:

- controle que la hoja que se ha de motorizar esté dentro de los límites de los valores indicados en el Gráfico 1;
- anchura **máxima** de la hoja: **2,4 m** (con peso máximo de hasta 160 kg);
- peso **máximo** de la hoja: **250 kg** (con anchura máxima de hasta 1,5 m);
- controle los límites de los valores indicados en la tabla de las "Características técnicas del producto";
- anchura **mínima** del espacio destinado a la instalación del motorreductor: **170 mm**;
- El estribo de fijación del brazo debe estar en una zona robusta de la hoja (por ejemplo el bastidor) a fin de garantizar una fijación firme y segura.

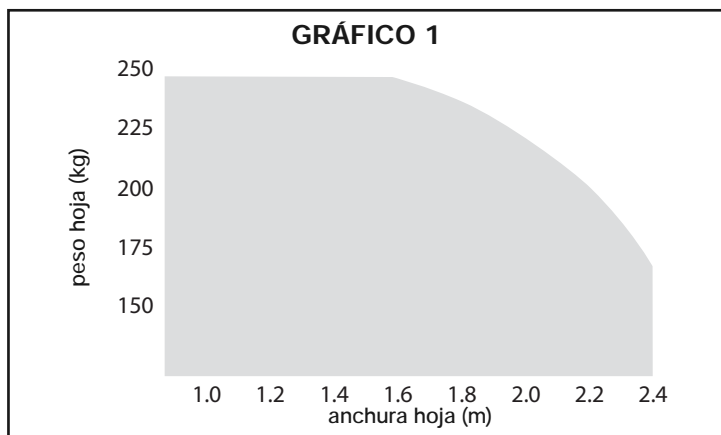


GRÁFICO 1

3.3 - Trabajos de predisposición para la instalación

En la fig. 3 se muestra un ejemplo de un sistema de automatización realizado con componentes Nice (algunos componentes podrían no estar presentes en el kit):

- a - Motorreductor con central mod. HO7124
- b - Motorreductor sin central mod. HO7224
- c - Luz intermitente MLBT
- d - Par de fotocélulas mod. MOFB
- e - Botonera digital (mod. MOTB) – Lector por transponder (mod. MOMB) - Selector de llave (mod. MOSE)
- f - Par de columnas para fotocélulas
- g - Tope mecánico de cierre
- h - Electrocerradura

Estos componentes están colocados según un esquema típico y habitual. Tomando como referencia la fig. 3, establezca la posición aproximada donde será instalado cada uno de los componentes previstos en el sistema. **Importante** – Antes de realizar la instalación, prepare los cables eléctricos necesarios para el sistema, tomando como referencia la fig. 4 y la "Tabla 1 - Características técnicas de los cables eléctricos".

Atención – Durante el montaje de los tubos para el paso de los cables eléctricos, tenga en cuenta que, por motivos de posibles depósitos de agua en las arquetas de derivación, los tubos de conexión podrían crear condensados dentro de la central y dañar los circuitos electrónicos.

3.4 - Instalación del motorreductor mod. HO7124 - HO7224

ADVERTENCIAS

- Una instalación incorrecta podría provocar heridas graves a la persona que realice el trabajo y a las personas que utilicen el sistema.
- Antes de ensamblar el automatismo, realice los controles preliminares descritos en los párrafos 3.1 y 3.2.

01. Mida la cota "B" (fig. 5);
02. Coloque la hoja en la posición de apertura máxima deseada y controle si el valor del ángulo encontrado está dentro de los valores indicados en el Gráfico 2;
03. En el Gráfico 2, con la cota "B" y el ángulo de apertura, determine la cota "A" (fig. 6). *Ejemplo: si "B" es 100 mm y el ángulo deseado es de 100°, la cota "A" será de alrededor de 180 mm.*

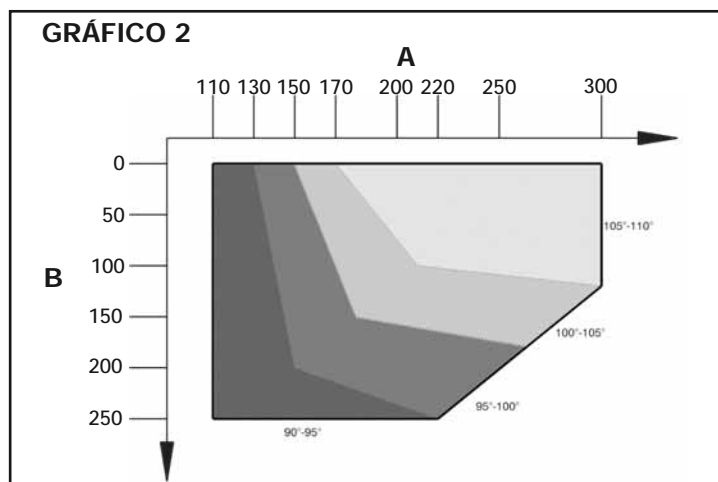


GRÁFICO 2

04. Fije el estribo de fijación del motorreductor a la pared, en posición horizontal, tal como se muestra en la fig. 7: utilice tacos, tornillos y arandelas adecuadas (no suministrados);
05. Fije el motorreductor al estribo, fijado anteriormente, tal como se muestra en la fig. 7-3: utilice el tornillo M4,8x13 entregado;
06. Entonces, fije el brazo curvo al brazo recto utilizando el perno y el anillo elástico de seguridad (fig. 7-4); posteriormente, fije el estribo de fijación para la hoja de la puerta al brazo curvo, utilizando el perno y el anillo elástico de seguridad (fig. 7-4);
07. Desbloquee manualmente el motorreductor (fig. 7-6), véase el párrafo 3.6;
08. Entonces, determine la zona de fijación del estribo en la hoja de la puerta, extendiendo al máximo los brazos del motorreductor (fig. 7-7): es impor-

TABLA 1 - Características técnicas de los cables eléctricos (fig. 4)

Conexión	Tipo de cable	Longitud máxima admitida
A: Cable ALIMENTACIÓN CENTRAL DE MANDO	1 cable 3 x 1,5 mm ²	30 m (nota 1)
B: Cable ELECTROCERRADURA	1 cable 2 x 1 mm ²	6 m
C: Cable DISPOSITIVOS BLUEBUS	1 cable 2 x 0,5 mm ²	20 m (nota 2)
D: Cable SELECTOR DE LLAVE	2 cables 2 x 0,5 mm ² (nota 3)	50 m
E: Cable ALIMENTACIÓN MOTORREDUCTOR	1 cable 3 x 1,5 mm ²	10 m
F: Cable LUZ INTERMITENTE con antena	1 cable 2 x 1 mm ²	20 m
	1 cable blindado tipo RG58	20 m (aconsejado menos de 5 m)

Nota 1 – Si el cable de alimentación midiera más de 30 m, tendrá que utilizar un cable de sección más grande (3 x 2,5 mm²) y habrá que instalar una puesta a tierra de seguridad cerca del automatismo.

Nota 2 – Si el cable Bluebus midiera más de 20 m hasta un máximo de 40 m, tendrá que utilizar un cable de sección más grande (2 x 1 mm²).

Nota 3 – Estos 2 cables pueden sustituirse por un único cable de 4 x 0,5 mm².

¡ATENCIÓN! – Los cables utilizados deben ser adecuados para el tipo de entorno donde serán instalados.

tante colocar el estribo en el punto más lejano respecto de la posición del motorreductor;

09. Taladre la hoja y fije el estribo utilizando tornillos adecuados (no suministrados) (figs. 7-8, 7-9 y 7-10);
10. Antes de bloquear el motorreductor, regule el fin de carrera mecánico de apertura (párrafo 3.5).

3.5 - Regulación de los fines de carrera mecánicos

01. Coloque manualmente las hojas de la cancela en la posición de apertura máxima;
02. Gire el disco de plástico, situado en la parte inferior del motorreductor, colocando la ranura debajo del brazo en la posición que se muestra en la fig. 8;
03. Monte el fin de carrera en la primera posición posible: pruebe a colocarlo como se muestra en la fig. 8 (dirección de apertura);
04. Gire el disco para que el fin de carrera no se caiga, colocando la ranura en la posición que se muestra en la fig. 8; para una regulación más precisa, utilice el tornillo de regulación (fig. 8);
05. Si el sistema no incorpora el tope de cierre del suelo, habrá que repetir el procedimiento a partir del punto 01, incluso para la regulación del fin de carrera de cierre;
06. Por último, enrosque hasta el fondo la tuerca de fijación del disco (fig. 8) para asegurarse de que no pueda girar accidentalmente.

3.6 - Desbloqueo y bloqueo manual del motorreductor

El motorreductor está equipado con un sistema de desbloqueo mecánico que permite abrir y cerrar la cancela manualmente.

Estas operaciones manuales deben llevarse a cabo si se cortara la corriente eléctrica, si se produjeran desperfectos en el funcionamiento o durante las etapas de instalación.

Desbloqueo (fig. 9):

01. Introduzca la llave;
02. Gire la llave en el sentido antihorario (180°);
03. Entonces, la hoja se podrá mover manualmente hacia la posición deseada.

Bloqueo (fig. 10):

01. Gire la llave 180° en el sentido horario;
02. Extraiga la llave.

4 CONEXIONES ELÉCTRICAS

La conexión eléctrica de los distintos dispositivos (fotocélulas, botoneras digitales, lectores de tarjetas por transponder, etc.), presentes en el automatismo con la central de mando, debe hacerse mediante el sistema "Bluebus" de Nice.

Descripción de las conexiones eléctricas (fig. 11)

ANTENA	entrada para la antena de un receptor
FLASH	salida para una luz intermitente con bombilla de 12 V (máximo 21 W). [*]
ELS	salida para electrocerradura de 12 Vac (máximo 15 VA). [*]
BLUEBUS	entrada para dispositivos compatibles (MOFB, MOFOB, MOB y MOTB); conexión en paralelo de los dispositivos mediante 2 conductores por los cuales pasa la alimentación eléctrica y las señales de comunicación; no hay que respetar ninguna polaridad. La conexión eléctrica a utilizar es paralela y no necesita respetar la polaridad. Durante la etapa de aprendizaje, cada dispositivo conectado a la central será reconocido individualmente por ésta gracias a un código único. Cada vez que se añada o elimine un dispositivo, habrá que hacer que la central memorice dicho dispositivo (véase el párrafo 4.5).
STOP	entrada para los dispositivos que al accionarse provocan la parada inmediata del movimiento que se está ejecutando en ese momento, seguido de una breve inversión; posibilidad de conectar contactos NA, NC o bien dispositivos con salida con resistencia constante 8,2 kΩ (bandas sensibles). Cada dispositivo conectado a esta entrada será reconocido individualmente por la central durante el aprendizaje (párrafo 3.4); en esta etapa, si la central detectara una variación respecto del estado memorizado, provocará una PARADA. A esta entrada se le pueden conectar uno o varios dispositivos incluso diferentes entre sí: <ul style="list-style-type: none"> - conecte en paralelo varios dispositivos NA, sin límites de cantidad; - conexión en serie de varios dispositivos NC, sin límite de cantidad; - conecte en paralelo dos dispositivos con salida de resistencia constante 8,2 kΩ. Si hubiera más de dos dispositivos, habrá que conectarlos en cascada a una sola resistencia de terminación de 8,2 kΩ; - conecte en paralelo dos dispositivos NA y NC, colocando una resistencia de 8,2 kΩ en serie al contacto NC (esto permite la combinación entre tres dispositivos NA - NC y 8,2 kΩ)
P.P.	entrada para los dispositivos de mando que al activarse provocan el movimiento con modalidad Paso a Paso; posibilidad de conectar contactos tipo NA.
OPEN	entrada para los dispositivos de mando que, al activarse, provocan sólo el movimiento de apertura parcial 1; posibilidad de conectar contactos tipo NA
M	salida para motorreductor sin central (HO7224)

[*] Las salidas FLASH y ELS pueden programarse con otras funciones (véase la "TABLA 5 - Funciones de 1° nivel"; o bien mediante el programador Oview, véase el párrafo 8.3).

4.1 - Conexiones eléctricas de los motorreductores

¡Atención! - Realice las conexiones eléctricas únicamente después de haber instalado el motorreductor.

¡ADVERTENCIAS!

- Las operaciones de conexión deben ser realizadas exclusivamente por personal cualificado.
- Todas las conexiones eléctricas deben hacerse con la corriente eléctrica de red desactivada y con la batería compensadora desconectada, si estuviera presente en el automatismo.
- En la línea eléctrica de alimentación es necesario montar un dispositivo que asegure la desconexión completa del automatismo de la red. El dispositivo de desconexión deberá tener una distancia de apertura entre los contactos que permita una desconexión completa en las condiciones previstas por la categoría de sobretensión III, de conformidad con las reglas de instalación.

01. Abra la tapa del motorreductor (fig. 12-1);
02. Pase el cable de alimentación y los demás cables eléctricos a través del agujero presente en la parte inferior del motorreductor (fig. 12-2);
03. Conecte en primer lugar el cable de alimentación del motor con central HO7124: desenrosque el prensaestopas (fig. 12-3) y conecte el cable de alimentación tal como se muestra en la fig. 12-4; posteriormente, bloquee el cable con el prensaestopas (fig. 12-5);
04. Entonces, conecte el cable que alimenta el motor sin central (HO7224), tal como se muestra en fig. 13;
05. Por último, conecte los cables de los distintos dispositivos presentes, tomando como referencia la fig. 11 y el párrafo 4.3. *Nota - Para facilitar las conexiones de los cables es posible quitar los bornes de sus alojamientos;*
06. Determine en la Tabla 2 el tipo que corresponde a la instalación que se ha de programar y, de ser necesario, configure en la central el selector JA y el punte JB tal como descrito;
07. Cierre la tapa de los motorreductores (fig. 12-6).

TABLA 2

	JA	JB
	JA	JB
	JA	JB
	JA	JB
	JA	JB
	JA	JB
	JA	JB
	JA	JB

4.2 - Conexión de otros dispositivos

Si fuera necesario alimentar otros dispositivos montados en la instalación, por ejemplo un lector de tarjetas de transponder o la luz de iluminación para el selector de llave, es posible conectar estos dispositivos a la central de mando en los bornes "P.P. (positivo)" y "STOP (negativo)" (fig. 11). La tensión de alimentación es de 24 Vcc (-30% ÷ +50%) con corriente máxima disponible de 200 mA. **Nota** - La tensión disponible en los bornes "P.P." y "STOP" siempre está presente cuando en la tarjeta se activa la función "Stand By".

4.3 - Direccionamiento de los dispositivos conectados

Para que la central pueda reconocer los dispositivos conectados al sistema Bluebus, es necesario asignarles una dirección. Esta operación debe hacerse

colocando correctamente el puente eléctrico presente en todos los dispositivos, véase el manual de instrucciones de cada dispositivo: véanse **fig. A** y **Tabla 3**.

Para asignar una dirección a los demás dispositivos, consulte los manuales de instrucciones respectivos. Al concluir la instalación o después de haber desmontado las fotocélulas o cualquier otro dispositivo, habrá que realizar el aprendizaje de estos últimos; véase el párrafo 4.5.

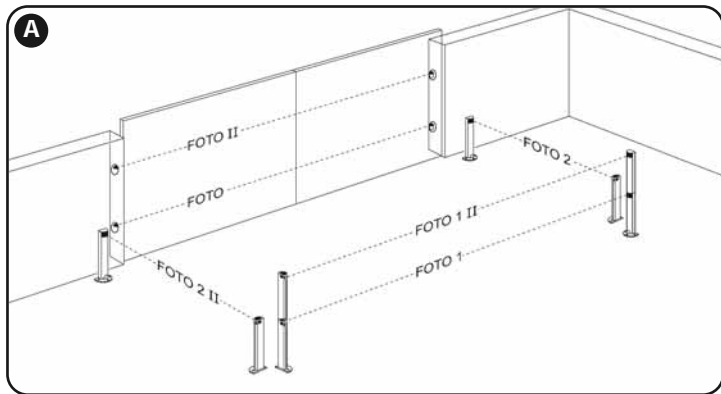


TABLA 3 - DIRECCIONES DE LAS FOTOCÉLULAS

Fotocélula	Puentes de conexión
FOTO Fotocélula exterior h = 50 con activación durante el cierre (detiene e invierte el movimiento)	
FOTO II Fotocélula exterior h = 100 con activación durante el cierre (detiene e invierte el movimiento)	
FOTO 1 1 Fotocélula interior h = 50 con activación durante el cierre (detiene e invierte el movimiento) y durante la apertura (detiene y reanuda el movimiento al descubrirse la fotocélula)	
FOTO 1 II Fotocélula interior h = 100 con activación durante el cierre (detiene e invierte el movimiento) y durante la apertura (detiene y reanuda el movimiento al descubrirse la fotocélula)	
FOTO 2 Fotocélula interior con activación durante la apertura (detiene e invierte el movimiento)	
FOTO 2 II Fotocélula interior con activación durante la apertura (detiene e invierte el movimiento)	
FOTO 3 CONFIGURACIÓN NO ADMITIDA	

4.4 - Primer encendido y control de las conexiones

Después de haber conectado la energía eléctrica de la Central de mando, lleve a cabo los siguientes controles:

- transcurridos algunos segundos, compruebe que el Led "Bluebus" (**fig. 15**) destelle regularmente con una frecuencia de 1 destello por segundo;
 - controle que destellen los Leds de las fotocélulas (**fig. 15**), tanto TX (transmisor) como RX (receptor). En esta etapa, el tipo de destello no es importante;
 - controle que la luz intermitente conectada a la salida FLASH esté apagada.
- Si así no fuera, habrá que cortar la energía eléctrica de la central y controlar las conexiones eléctricas hechas.

4.5 - Aprendizaje de los dispositivos conectados

Después de haber realizado el primer encendido, es necesario que la central reconozca los dispositivos conectados en las entradas "Bluebus" y "Stop".

¡ATENCIÓN! – El aprendizaje debe hacerse incluso si no hubiera ningún dispositivo conectado a la central.

La central reconoce individualmente los dispositivos conectados gracias al procedimiento de aprendizaje y detecta con mucha precisión los posibles desperfectos presentes. Por dicho motivo, es necesario realizar el aprendizaje de los dispositivos cada vez que uno de estos es añadido o eliminado.

Los Leds "L1" y "L2" presentes en la central (**fig. 15**), emiten algunos destellos lentos que indican que es necesario llevar a cabo el aprendizaje:

- 01.** Pulse y mantenga pulsados simultáneamente los pulsadores "◀" y "Set" (**fig. 15**).
- 02.** Suelte los pulsadores cuando los leds "L1" y "L2" comiencen a destellar rápidamente (después de unos 3 segundos).
- 03.** Espere algunos segundos para que la central complete el aprendizaje de los dispositivos.
- 04.** Al concluir esta etapa, el Led "Stop" deberá estar encendido y los Leds "L1" y "L2" se deberán apagar (podrían comenzar a destellar los Leds "L3" y "L4").

4.6 - Aprendizaje de las posiciones de los topes mecánicos

Después del aprendizaje de los dispositivos conectados (párrafo 4.6) habrá que realizar el aprendizaje de las posiciones de los topes mecánicos (apertura máxima y cierre máximo). Este procedimiento se puede realizar en tres modos: **automático, manual y mixto**.

En el **modo automático** la central ejecuta el aprendizaje de los topes mecánicos y calcula la sincronización más oportuna de las hojas (SA y SC, **fig. B**).

En el **modo manual** las seis posiciones que se muestran en la **fig. B** se programan una por una, desplazando las hojas hacia los puntos deseados. La posición que se debe programar está identificada por el destello de uno de los 6 leds (L1...L6), véase la **Tabla 4**.

En el **modo mixto** es posible llevar a cabo el procedimiento automático y, posteriormente, con el procedimiento manual, modificar una o varias posiciones salvo las posiciones "0" y "1" (**fig. B**) que coinciden con las posiciones de los topes mecánicos.

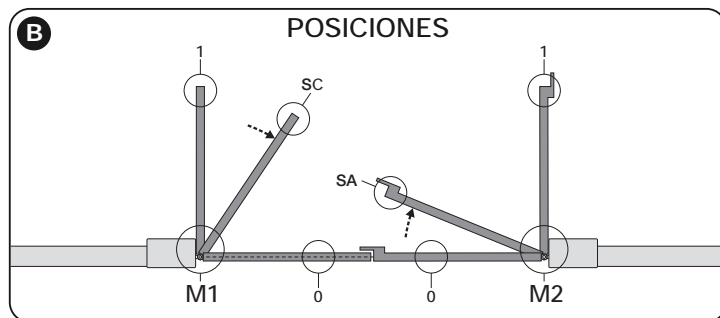


TABLA 4

Posición	Led	Descripción
Posición 0 (motor 1)	L1	Posición de cierre máximo: cuando la hoja 1 choca contra el tope mecánico de cierre
Posición 0 (motor 2)	L2	Posición de cierre máximo: cuando la hoja 2 choca contra el tope mecánico de cierre
Posición SA (motor 2)	L3	Sincronización en la apertura: cuando la hoja 2 supera esta posición, la hoja 1 comienza a abrirse
Posición SC (motor 1)	L4	Sincronización en el cierre: cuando la hoja 1 se encuentra por debajo de esta posición, la hoja 2 comienza a cerrarse
Posición 1 (motor 1)	L5	Posición de apertura máxima: cuando la hoja 1 choca contra el tope mecánico de apertura
Posición 1 (motor 2)	L6	Posición de apertura máxima: cuando la hoja 2 choca contra el tope mecánico de apertura

4.6.1 - Aprendizaje en modo automático

- 01.** Pulse y mantenga pulsados simultáneamente los pulsadores "Set" y "▶";
- 02.** Suelte los pulsadores cuando los leds "L3" y "L4" comiencen a destellar rápidamente (después de unos 3 segundos);
- 03.** Controle que el automatismo realice las siguientes secuencias de movimientos:
 - a - Cierre lento del motorreductor M1 hasta el tope mecánico
 - b - Cierre lento del motorreductor M2 hasta el tope mecánico
 - c - Apertura lenta del motorreductor M2 y del motorreductor M1 hasta el tope mecánico
 - d - Cierre rápido de los motorreductores M1 y M2

Advertencias:

- Si el primer movimiento ejecutado por una o ambas hojas no fuera un **cierre**, presione el pulsador "◀" o "▶" para detener la etapa de aprendizaje; posteriormente, controle la posición del selector JA y del puente JB (véase la **Tabla 2**) o bien controle la polaridad de la conexión del motor sin central (HO7224).
- Si el primer movimiento de **cierre** no fuera accionado por M1, presione el pulsador "◀" o "▶" para detener la etapa de aprendizaje; posteriormente, controle la posición del selector JA y del puente JB, véase la **Tabla 2**;
- 04.** Al concluir el movimiento de cierre de los 2 motores (d), los leds "L3" y "L4" se apagarán indicando que el procedimiento se ha ejecutado correctamente.

Advertencias:

- Si durante el aprendizaje automático se activaran las fotocélulas o un dispositivo conectado a la entrada "stop", el procedimiento se interrumpirá y el led L1 comenzará a destellar. Para reactivar el aprendizaje, reanude el procedimiento a partir del punto 01;
- El aprendizaje automático puede ejecutarse nuevamente en cualquier momento, incluso después de haber hecho la instalación; por ejemplo, después de modificar la posición de los topes mecánicos.

4.6.2 - Aprendizaje en modo manual

¡ATENCIÓN! – Desde el paso 03 en adelante:

- para pasar del led L1 al L6 es necesario pulsar brevemente el pulsador ◀ o ▶ (el led destellará indicando la posición actual);
- para hacer mover el motor hacia un sentido o hacia el otro, pulse continuamente el pulsador ◀ oppure ▶.

- 01.** Pulse y mantenga pulsados simultáneamente los pulsadores "Set" y "▶";

02. Suelte los pulsadores cuando el led "L1" comience a destellar (después de 1 segundo aproximadamente); **Nota** – superados los 3 segundos, si no se soltaran los pulsadores "Set" y "►" se activará el procedimiento de "aprendizaje automático" y no aquel manual.

03. • el led L1 destella: posición 0 de M1

Para accionar y colocar el motor 1 en la posición 0 (fig. B): pulse y mantenga pulsado el pulsador "◄" o "►". Al alcanzar dicha posición, suelte el pulsador para detener el movimiento. Para memorizar la posición, pulse y mantenga pulsado el pulsador "Set" durante al menos 3 s y después suéltelo (después de 2 s el led L1 quedará encendido y, al soltar el pulsador "Set", comenzará a destellar el led L2).

• el led L2 destella: posición 0 de M2

Para accionar y colocar el motor 2 en la posición 0 (fig. B): pulse y mantenga pulsado el pulsador "◄" o "►". Al alcanzar dicha posición, suelte el pulsador para detener el movimiento. Para memorizar la posición, pulse y mantenga pulsado el pulsador "Set" durante al menos 3 s y después suéltelo (después de 2 s el led L2 quedará encendido y, al soltar el pulsador "Set", comenzará a destellar el led L3).

• el led L3 destella: posición SA de M2

Para accionar y colocar el motor 2 en la posición SA (fig. B): pulse y mantenga pulsado el pulsador "◄" o "►". Al alcanzar dicha posición, suelte el pulsador para detener el movimiento. Para memorizar la posición, pulse y mantenga pulsado el pulsador "Set" durante al menos 3 s y después suéltelo (después de 2 s el led L3 quedará encendido y, al soltar el pulsador "Set", comenzará a destellar el led L4).

• el led L4 destella: posición SC de M1

Para accionar y colocar el motor 1 en la posición SC (fig. B): pulse y mantenga pulsado el pulsador "◄" o "►". Al alcanzar dicha posición, suelte el pulsador para detener el movimiento. Para memorizar la posición, pulse y mantenga pulsado el pulsador "Set" durante al menos 3 s y después suéltelo (después de 2 s el led L4 quedará encendido y, al soltar el pulsador "Set", comenzará a destellar el led L5).

• el led L5 destella: posición 1 de M1

Para accionar y colocar el motor 1 en la posición 1 (fig. B): pulse y mantenga pulsado el pulsador "◄" o "►". Al alcanzar dicha posición, suelte el pulsador para detener el movimiento. Para memorizar la posición, pulse y mantenga pulsado el pulsador "Set" durante al menos 3 s y después suéltelo (después de 2 s el led L5 quedará encendido y, al soltar el pulsador "Set", comenzará a destellar el led L6).

• el led L6 destella: posición 1 de M2

Para accionar y colocar el motor 2 en la posición 1 (fig. B): pulse y mantenga pulsado el pulsador "◄" o "►". Al alcanzar dicha posición, suelte el pulsador para detener el movimiento. Para memorizar la posición, pulse y mantenga pulsado el pulsador "Set" durante al menos 3 s y después suéltelo para salir de la programación (después de 2 s el led L6 quedará encendido hasta soltar el pulsador "Set").

Nota – Programación manual de un sistema con un solo motorreductor: proceda tal como descrito al inicio de este apartado, a partir del paso 01. En el paso 03 proceda de la siguiente manera:

- programe las posiciones relativas a los leds L1 (0 de M1) y L5 (1 de M1) de la siguiente manera: mantenga presionado el pulsador "Set" durante al menos 3 segundos y después suéltelo (después de 2 s el led quedará encendido y, al soltar el pulsador "Set", comenzará a destellar el led siguiente).
- no programe las posiciones relativas a los leds L3 (SA de M2) - L4 (SC de M1): para desplazarse entre las posiciones, presione brevemente los pulsadores "◄" o "►".

4.6.3 - Aprendizaje en modo mixto

Lleve a cabo este procedimiento después de haber hecho el aprendizaje en modo automático:

01. Pulse y mantenga pulsados simultáneamente los pulsadores "Set" y "►";

02. Suelte los pulsadores cuando el led "L1" comience a destellar (después de 1 segundo aproximadamente); **Nota** – superados los 3 segundos, si no se soltaran los pulsadores "Set" y "►" se activará el procedimiento de "aprendizaje automático" y no aquel manual.

03. Pulsando brevemente el pulsador "◄" o "►" desplace el led intermitente (L1...L6) hacia la posición en que se desea programar y proceda así para cada posición, tal como descrito en el paso 03 del aprendizaje en modo manual (párrafo 4.7.2).

Repita esta última operación para las demás posiciones que desea modificar.

Para concluir el aprendizaje manual, pulse varias veces el pulsador "►", hasta que el led que destella supere la posición L6.

4.7 - Control del movimiento de las hojas de la cancela

Al concluir el aprendizaje, se aconseja hacer que la central realice algunos movimientos de Apertura y Cierre para comprobar el movimiento correcto de la cancela, los posibles defectos de montaje y de regulación.

01. Presione el pulsador "Open" y controle que durante la Apertura se verifique la etapa de aceleración, la etapa de velocidad constante y la etapa de desaceleración. Controle que las hojas estén bien sincronizadas durante la apertura. Al concluir, las hojas deben quedar bien abiertas sobre el tope mecánico de apertura;

02. Pulse el pulsador "Close" y controle que durante el Cierre esté presente la etapa de aceleración, la etapa de velocidad constante y la etapa de desaceleración. Controle que las hojas estén bien sincronizadas durante el cie-

rrer. Al concluir, las hojas deben estar bien cerradas sobre el tope mecánico de cierre;

03. Controle que durante los movimientos la luz intermitente destelle con intervalos de 0,5 segundos encendida y 0,5 segundos apagada.

5 ENSAYO Y PUESTA EN SERVICIO

Estas son las fases más importantes en la preparación del automatismo, ya que su objetivo es garantizar la máxima seguridad de la instalación. El ensayo también se puede usar para comprobar periódicamente los dispositivos que conforman el automatismo. Las fases de ensayo y puesta en servicio del automatismo deben ser realizadas por personal cualificado y experto, que deberá llevar a cabo las pruebas necesarias para comprobar las soluciones adoptadas respecto a los riesgos existentes y verificar el cumplimiento de lo previsto por las leyes, normativas y reglamentos, con especial atención a todos los requisitos de la norma EN 12445, que establece los métodos de prueba para la verificación de los automatismos para puertas.

Los dispositivos adicionales deben ser sometidos a un ensayo específico, tanto en lo referente a su funcionamiento como a su correcta interacción con POP; para ello consulte el manual de instrucciones de cada dispositivo.

5.1 - Ensayo

La secuencia de operaciones necesarias para el ensayo se refiere a una instalación típica (fig. 3):

- 1 Controle que se hayan respetado estrictamente todas las indicaciones del capítulo "Advertencias para la instalación".
- 2 Desbloquee manualmente los motorreductores y compruebe que, al intervenir sobre la hoja en el punto previsto para la maniobra manual, se pueda mover las hojas en apertura y cierre con una fuerza inferior a 390 N.
- 3 Bloquee los motorreductores (véase el capítulo 3.6).
- 4 Utilizando los dispositivos de mando (trasmisor, botón de mando, selector de llave, etc.), haga las pruebas de apertura, cierre y parada de la puerta, comprobando que el movimiento de las hojas sea el previsto. Conviene llevar a cabo diversas pruebas para evaluar el movimiento de las hojas y verificar si hay errores de montaje, de regulación o puntos de especial fricción.
- 5 Controle uno por uno el funcionamiento correcto de todos los dispositivos de ayuda para la seguridad presentes en el equipo (fotocélulas, bandas sensible, etc.). Cuando un dispositivo se activa, el led "BLUEBUS", presente en la central, emitirá 2 destellos más rápidos para confirmar que el reconocimiento se ha ejecutado.
- 6 Si las situaciones peligrosas provocadas por el movimiento de las hojas han sido prevenidas limitando la fuerza de impacto, se deberá efectuar una medición de la fuerza conforme a lo previsto por la norma EN 12445 y, en caso necesario, si se utiliza la "fuerza del motorreductor" como ayuda al sistema para la reducción de la fuerza de impacto, probar hasta hallar la regulación que dé los mejores resultados.
- 7 Fije de manera permanente, en una zona cercana al automatismo, una etiqueta que describa cómo desbloquear manualmente el motorreductor.

5.2 - Puesta en servicio

La puesta en servicio solo es posible tras llevar a cabo con éxito todas las fases de ensayo.

- 1 Elabore el expediente técnico del automatismo, que deberá incluir los siguientes documentos: un dibujo general del automatismo, el esquema de las conexiones eléctricas realizadas, el análisis de los riesgos existentes y las soluciones adoptadas al respecto, la declaración de conformidad del fabricante de todos los dispositivos utilizados y la declaración de conformidad redactada por el instalador.
- 2 Aplique a la puerta una placa que contenga al menos los siguientes datos: tipo de automatismo, nombre y dirección del fabricante (responsable de la "puesta en servicio"), número de serie, año de fabricación y marcado "CE".
- 3 Redacte y entregue al propietario del automatismo la declaración de conformidad del automatismo.
- 4 Redacte y entregue al propietario del automatismo el "Manual de uso" del automatismo.
- 5 Redacte y entregue al propietario del automatismo el "Plan de mantenimiento" que reúne las instrucciones de mantenimiento para todos los dispositivos del automatismo.
- 6 Antes de poner en servicio el automatismo, informe adecuadamente al propietario acerca de los peligros y riesgos residuales todavía existentes. Para toda la documentación citada, Nice pone a su disposición, a través de su servicio de asistencia: manuales de instrucciones, guías y formularios ya cumplimentados. Visite también el sitio web: www.nice-service.com

6 PROGRAMACIÓN DE LA CENTRAL DE MANDO

En la central hay 3 pulsadores OPEN (◀), STOP (SET), CLOSE (▶) que se pueden utilizar para accionar la central durante las etapas de prueba y para la programación de las funciones disponibles.

Las funciones programables disponibles están dispuestas en 2 niveles y su estado de funcionamiento es señalado por los 8 leds (L1...L8) presentes en la central (led encendido = función activa; led apagado = función desactivada).

Utilice los pulsadores de programación:

OPEN (◀): – pulsador para accionar la apertura de la cancela; – pulsador de selección durante la programación.

STOP/SET: pulsador que permite detener un movimiento; al pulsarlo durante más de 5 segundos, permite entrar en programación.

CLOSE (▶): – pulsador para accionar el Cierre de la cancela; – pulsador de selección durante la programación.

6.1 - Programación del primer nivel (ON-OFF)

Todas las funciones del primer nivel se programan en fábrica en "OFF" y pueden ser modificadas en cualquier momento. Para comprobar las distintas funciones, véase la **Tabla 5**. Para el procedimiento de programación, véase la **Tabla 6**.

IMPORTANTE – El procedimiento de programación dura 10 segundos como máximo que transcurre entre la presión de un pulsador y el otro. Concluido dicho tiempo, el procedimiento finaliza automáticamente memorizando las modificaciones hechas hasta ese momento.

TABLA 5 - Funciones de primer nivel

Led	Función	Descripción
L1	Cierre automático	<u>Función ACTIVA:</u> después de un movimiento de apertura se ejecuta una pausa (equivalente al Tiempo de pausa programado), transcurrida la cual, la central inicia automáticamente un movimiento de cierre. El valor de fábrica del Tiempo de pausa equivale a 30 segundos. <u>Función DESACTIVADA:</u> el funcionamiento es "semiautomático".
L2	Volver a cerrar después fotocélula	<u>Función ACTIVA:</u> si durante el movimiento de Apertura o cierre intervienen las fotocélulas, el tiempo de pausa disminuye a 5 seg. independientemente del "tiempo pausa" programado. Con el "cierre automático" desactivado, si durante el Cierre se activarán las fotocélulas, se activará el "cierre automático" con el "tiempo pausa" programado.
L3	Cerrar siempre	<u>Función ACTIVA:</u> si se produjera un corte de energía, incluso breve, al volver la corriente eléctrica la central detectará la cancela abierta y, automáticamente, activará un movimiento de Cierre, antecedido de 5 seg. de destello previo. <u>Función DESACTIVADA:</u> al volver la corriente eléctrica la cancela no se moverá.
L4	Stand by todo	<u>Función ACTIVA:</u> tras un minuto a partir del final del movimiento, la central apagará la salida "BlueBus" (dispositivos conectados), el Bus T4 (dispositivos conectados), las salidas flash y ELS, algunos circuitos internos y todos los leds, excluido el Led BlueBus que destellará más lento. Cuando la central reciba un mando, restablecerá el funcionamiento normal (con un breve retardo). Esta función tiene la finalidad de reducir los consumos que es muy importante con la alimentación con baterías o paneles fotovoltaicos.
L5	Electrocerradura / Luz de cortesía	<u>Función ACTIVA:</u> la salida "electrocerradura" conmuta su funcionamiento en "luz de cortesía". <u>Función DESACTIVADA:</u> la salida funciona como electrocerradura.
L6	Destello previo	<u>Función ACTIVA:</u> agrega una pausa de 3 segundos entre el encendido del faro giratorio y el inicio de la maniobra, para señalar con anticipación una situación de peligro. <u>Función DESACTIVADA:</u> el señalamiento del faro giratorio coincide con el inicio de la maniobra.
L7	"Paso a Paso" se vuelve "Abrir" y "Open" se vuelve "Cerrar"	<u>Función ACTIVA:</u> las dos entradas "Paso a Paso" y "Open" de la central tienen la función de "Abrir" y "Cerrar". <u>Función DESACTIVADA:</u> las dos entradas "Paso a Paso" y "Open" de la central tienen la función de "Paso a paso" y "Abrir parcial 1".
L8	"Flash" o "Indicador puerta abierta"	<u>Función ACTIVA:</u> la salida "Flash" de la central conmuta su funcionamiento en "Indicador puerta abierta". <u>Función DESACTIVADA:</u> la salida "FLASH" de la central ejecuta la función "Luz intermitente".

TABLA 6 - Procedimiento de programación del primer nivel

01. Pulse y mantenga pulsado el pulsador "Set" durante unos 3 segundos;	
02. Suelte el pulsador cuando el led "L1" comience a destellar;	
03. Pulse el pulsador "◀" o "▶" para pasar del led intermitente al led que representa la función a modificar;	
04. Pulse el pulsador "Set" para modificar el estado de la función: (destello breve = OFF - destello largo = ON);	
05. Espere 10 segundos (tiempo máximo) para salir de la programación.	

Nota – Para programar otras funciones en "ON" u "OFF", durante la ejecución del procedimiento hay que repetir los puntos 03 y 04 durante la misma etapa.

6.2 - Programación del segundo nivel (parámetros regulables)

Todos los parámetros del segundo nivel son programados en fábrica, como indicado en gris en la **Tabla 7** y pueden ser modificados en cualquier momento procediendo tal como descrito en la **Tabla 8**.

Los parámetros se pueden regular en una escala de valores de 1 a 8; para comprobar el valor que corresponde a cada Led, véase la **Tabla 10**.

IMPORTANTE – El procedimiento de programación dura 10 segundos como máximo que transcurren entre la presión de un pulsador y el otro. Concluido dicho tiempo, el procedimiento finaliza automáticamente memorizando las modificaciones hechas hasta ese momento.





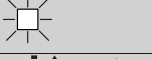



TABLA 7 - Funciones de segundo nivel

Led de entrada	Parámetro	Led (nivel)	Valor	Descripción
L1	Tiempo de pausa	L1	5 segundos	Regula el tiempo de pausa, es decir el tiempo antes del cierre automático. Es válido sólo si el Cierre está activo.
		L2	15 segundos	
		L3	30 segundos	
		L4	45 segundos	
		L5	60 segundos	
		L6	80 segundos	
		L7	120 segundos	
		L8	180 segundos	
L2	Función Paso a Paso	L1	Abrir – stop – cerrar – stop	Regula la secuencia de mandos asociados a la entrada "Paso a Paso", "Abrir", "Cerrar" o al mando radio. Nota – Configurando L4, L5, L7 e L8, también se modifica el comportamiento de los mandos "Abrir" y "Cerrar".
		L2	Abrir – stop – cerrar – abrir	
		L3	Abrir – cerrar – abrir – cerrar	
		L4	Comunitaria: • en el movimiento de <u>apertura</u> el mando "Paso a Paso" y "Abrir" no provocan efecto; por el contrario, el mando "Cerrar" provoca la inversión del movimiento, es decir el cierre de las hojas. • en el movimiento de <u>cierre</u> el mando "Paso a Paso" y "Abrir" provocan la inversión del movimiento, es decir la apertura de las hojas; por el contrario, el mando "Cerrar" no provoca ningún efecto .	
		L5	Comunitaria 2: • en el movimiento de <u>apertura</u> el mando "Paso a Paso" y "Abrir" no provocan efecto; por el contrario, el mando "Cerrar" provoca la inversión del movimiento, es decir el cierre de las hojas. Si el mando enviado dura más de 2 segundos, se ejecuta un "Stop" . • en el movimiento de <u>cierre</u> el mando "Paso a Paso" y "Abrir" provocan la inversión del movimiento, es decir la apertura de las hojas; por el contrario, el mando "Cerrar" no provoca ningún efecto. Si el mando enviado dura más de 2 segundos, se ejecuta un "Stop" .	
		L6	Paso a Paso 2 (menos de 2" provoca una apertura parcial)	
		L7	Hombre presente: el movimiento se ejecuta sólo si se mantiene el mando enviado; si el mando se interrumpe, el movimiento se detiene.	
		L8	Apertura en "semiautomático", cierre modo "hombre presente "	
L3	Velocidad motores	L1	Muy lenta	Regula la velocidad de los motores durante la carrera normal.
		L2	Lenta	
		L3	Media	
		L4	Rápida	
		L5	Muy rápida	
		L6	Rapidísima	
		L7	Abrir rápido, Cerrar lento	
		L8	Abrir rapidísimo, Cerrar medio	
L4	Descarga motores después del Cierre	L1	Ninguna descarga	Regula la duración de la "breve inversión" de ambos motores, después de la ejecución del movimiento de Cierre, con la finalidad de reducir el empuje final residual.
		L2	Nivel 1 - Descarga mínima (100 ms aprox.)	
		L3	Nivel 2 - ...	
		L4	Nivel 3 - ...	
		L5	Nivel 4 - ...	
		L6	Nivel 5 - ...	
		L7	Nivel 6 - ...	
		L8	Nivel 7 - Descarga máxima (1 ms aprox.)	
L5	Fuerza motores	L1	Nivel 1 - Fuerza mínima	Regula la fuerza de ambos motores.
		L2	Nivel 2 - ...	
		L3	Nivel 3 - ...	
		L4	Nivel 4 - ...	
		L5	Nivel 5 - ...	
		L6	Nivel 6 - ...	
		L7	Nivel 7 - ...	
		L8	Nivel 8 - Fuerza máxima	
L6	Apertura paso de peatones o parcial	L1	Peatones 1 (apertura de la hoja M2 a 1/4 de la apertura total)	Regula el tipo de apertura asociado al mando "apertura parcial 1". En los niveles L5, L6, L7, L8, la apertura "mínima" es la apertura menor entre M1 y M2; por ejemplo, si M1 abre a 90° y M2 abre a 110°, la apertura mínima es 90°
		L2	Peatones 2 (apertura de la hoja M2 a 1/2 de la apertura total)	
		L3	Peatones 3 (apertura de la hoja M2 a 3/4 de la apertura total)	
		L4	Peatones 4 (apertura total de la hoja 2)	
		L5	Parcial 1 (apertura de las dos hojas a 1/4 de la apertura "mínima")	
		L6	Parcial 2 (apertura de las dos hojas a 1/2 de la apertura "mínima")	
		L7	Parcial 3 (apertura de las dos hojas a 3/4 de la apertura "mínima")	
		L8	Parcial 4 (apertura de las dos hojas equivalente a la apertura "mínima")	
L7	Aviso de mantenimiento	L1	500	Regula el número de movimientos: cuando se supera este número, la central señala la necesidad de mantenimiento del automatismo: véase el párrafo 6.3.2. – Aviso de mantenimiento.
		L2	1000	
		L3	1500	
		L4	2500	
		L5	5000	
		L6	10000	
		L7	15000	
		L8	20000	

L8	Listado de desperfectos	L1	Resultado 1º movimiento (el más reciente)	Permite comprobar el tipo de desperfecto producido durante la ejecución de los últimos 8 movimientos. Véase la TABLA 12 - Lista historial de los desperfectos.
		L2	Resultado 2º movimiento	
		L3	Resultado 3º movimiento	
		L4	Resultado 4º movimiento	
		L5	Resultado 5º movimiento	
		L6	Resultado 6º movimiento	
		L7	Resultado 7º movimiento	
		L8	Resultado 8º movimiento	

Nota – El color gris indica los valores configurados en fábrica.

TABLA 8 - Procedimiento de programación del segundo nivel

01. Pulse y mantenga pulsado el pulsador "Set" durante unos 3 segundos;	
02. Suelte el pulsador cuando el led "L1" comience a destellar;	
03. Pulse el pulsador "◀" o "▶" para pasar del led intermitente al led que representa "led de entrada" del parámetro a modificar;	
04. Pulse y mantenga pulsado el pulsador "Set" hasta concluir el punto 06;	
05. Espere unos 3 segundos hasta que se encienda el led que representa el nivel actual del parámetro a modificar;	
06. Pulse el pulsador "◀" o "▶" para desplazar el led que representa el valor del parámetro;	
07. Suelte el pulsador "Set";	
08. Espere 10 segundos (tiempo máximo) para salir de la programación.	

Nota – Para programar varios parámetros, durante la ejecución del procedimiento hay que repetir las operaciones desde el punto 03 al punto 07 durante la misma etapa

6.3 - Funciones especiales

6.3.1 - Función: "Mover igualmente"

Esta función permite hacer funcionar el automatismo incluso cuando algún dispositivo de seguridad no funciona correctamente o está fuera de uso. Es posible accionar el automatismo en modalidad "hombre presente", procediendo de la siguiente manera:

01. Envíe un mando para accionar la cancela con un transmisor o con un selector de llave, etc.. Si todo funciona correctamente, la cancela se moverá regularmente, en caso contrario, siga estos pasos;
02. antes de 3 segundos, accione nuevamente el mando y manténgalo accionado;
03. después de 2 segundos aprox. la cancela realizará el movimiento requerido en modalidad "hombre presente"; es decir que la cancela seguirá moviéndose sólo hasta que se mantenga accionado el mando.

Cuando los dispositivos de mando no funcionan, la luz intermitente emite algunos destellos para señalar el tipo de problema (véase capítulo 6 - Tabla 10).

6.3.2 - Función: "Aviso de mantenimiento"

Esta función sirve para señalar cuando es necesario realizar el mantenimiento al automatismo. La señal de aviso de mantenimiento funciona mediante una luz conectada a la Salida "flash" o "els" cuando dicha salida está programada como "Indicador mantenimiento". Las señales de la luz indicadora están mencionadas en la **Tabla 9**.

Para programar el valor límite de los operaciones de mantenimiento, véase la **Tabla 7**.

6.4 - Borrado de la memoria

Para borrar la memoria de la central y restablecer todas las configuraciones de fábrica, proceda de la siguiente manera:

pulse y mantenga pulsado los pulsadores "◀" y "▶" hasta que los leds L1 y L2 comiencen a destellar.

Tabla 9 - Señalización "Indicador mantenimiento"

Número de movimientos	Señalización
Inferior al 80% del límite	Indicador encendido durante 2 segundos al inicio del movimiento de apertura.
Entre el 81% y el 100% del límite	Indicador que destella durante toda la duración del movimiento.
Superior al 100% del límite	Indicador que destella continuamente.

7 QUÉ HACER SI... (guía para solucionar los problemas)

Algunos dispositivos están preparados para emitir señales con las cuales se puede reconocer el estado de funcionamiento o posibles desperfectos.

Si en la salida FLASH, presente en la Central, se conectara una luz intermitente, durante la ejecución de un movimiento, ésta destellará una vez por segundo. Si se produjera algún desperfecto, la luz intermitente emitirá destellos más

cortos que se repetirán dos veces, divididos por una pausa de 1 segundo. En la **Tabla 10** se describe la causa y la solución para cada tipo de señal.

También los Leds presentes en la Central emiten señales; en la **Tabla 11** se describe la causa y la solución para cada tipo de señal.

Se pueden controlar los desperfectos que se hubieran producido durante la ejecución de los últimos 8 movimientos; consulte la **Tabla 12**.


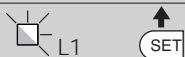





TABLA 10 - Señales de la luz intermitente (FLASH)

Destellos	Problema	Resolución
1 destello corto pausa de 1 segundo 1 destello corto	Error en el sistema Bluebus	Al comienzo del movimiento, el control de los dispositivos conectados al sistema Bluebus no corresponde a los dispositivos memorizados durante el aprendizaje. Es posible que haya dispositivos desconectados o averiados; controle y sustituya. Si se realizaran modificaciones, habrá que rehacer el aprendizaje de los dispositivos (véase el párrafo 4.6).
2 destellos cortos pausa de 1 segundo 2 destellos cortos	Activación de una fotocélula	Una o varias fotocélulas no dan la autorización del movimiento o durante la carrera han provocado una inversión del movimiento; controle que no haya obstáculos.
3 destellos cortos pausa de 1 segundo 3 destellos cortos	Activación de la función "Detección Obstáculos" de limitador de fuerza	Durante el movimiento, los motores han encontrado un esfuerzo superior; controle el motivo y, de ser necesario, aumente el nivel de fuerza de los motores.
4 destellos cortos pausa de 1 segundo 4 destellos cortos	Activación de la entrada de STOP	Al comienzo de la maniobra, o durante el movimiento, se han activado los dispositivos conectados a la entrada STOP; controle el motivo.
5 destellos cortos pausa de 1 segundo 5 destellos cortos	Error en los parámetros internos de la Central de mando	Espere al menos 30 segundos y pruebe a accionar de nuevo un mando y, de ser necesario, apague también la alimentación; si el estado persiste, podría haber una avería grave y habrá que sustituir la tarjeta electrónica.
6 destellos cortos pausa de 1 segundo 6 destellos cortos	Se ha superado el límite máximo de movimientos consecutivos o de movimientos por hora.	Espere algunos minutos para que el limitador de maniobras retorne por debajo del límite máximo.
7 destellos cortos pausa de 1 segundo 7 destellos cortos	Desperfecto en los circuitos eléctricos	Espere al menos 30 segundos y pruebe a accionar de nuevo un mando y, de ser necesario, apague también la alimentación; si el estado persiste, podría haber una avería grave y habrá que sustituir la tarjeta electrónica.
8 destellos cortos pausa de 1 segundo 8 destellos cortos	Hay un mando accionado que no permite ejecutar otros mandos	Controle el tipo de mando siempre activo; por ejemplo, podría ser el mando de un reloj en la entrada "abrir".
9 destellos cortos pausa de 1 segundo 9 destellos cortos	El automatismo se ha bloqueado por un mando "Bloquear automatización"	Desbloquee la automatización enviando el mando "Desbloquear automatización".

TABLA 11 - Señales de los Leds presentes en la central de mando (fig. 14)

Led	Problema	Resolución
BLUEBUS Siempre apagado	Desperfecto	Controle que la Central esté conectada; controle que los fusibles no estén quemados. En este caso, controle la causa de la avería y sustitúyalos con otros con el mismo valor
Siempre encendido	Desperfecto grave	Hay un problema grave: pruebe a cortar la alimentación eléctrica de la central y, si el estado persiste, sustituya la tarjeta electrónica
1 destello por segundo	Todo regular	Funcionamiento regular de la central
2 destellos rápidos	Variación de la condición de las entradas	Es regular si se produce una variación en una de las entradas (PP, STOP, OPEN, CLOSE): activación de las fotocélulas, o si se utiliza un transmisor
Serie de destellos separados por una pausa de 1 segundo	Varios	Consulte la Tabla 10
STOP Siempre apagado	Activación de los dispositivos conectados a la entrada STOP	Controle los dispositivos de la entrada STOP
Siempre encendido	Todo regular	Entrada STOP activa
P.P. Siempre apagado	Todo regular	Entrada P.P. desactivada
Siempre encendido	Activación de la entrada P.P.	Es regular si está activo el dispositivo conectado a la entrada P.P.
OPEN Siempre apagado	Todo regular	Entrada OPEN desactivada
Siempre encendido	Activación de la entrada OPEN	Es regular si está activo el dispositivo conectado a la entrada OPEN
L1 - L2 Parpadeo lento	Variación del número de dispositivos conectados al Bluebus, o bien el aprendizaje del dispositivo no se ha ejecutado	Es necesario ejecutar el aprendizaje de los dispositivos (véase el párrafo 4.5)
L3 - L4 Parpadeo lento	Variación del aprendizaje del tipo de los motores, o bien de las posiciones de los topes mecánicos	No se ha ejecutado jamás el aprendizaje de las posiciones de los topes mecánicos (véase párrafo 4.6).
L5 Parpadeo lento	Todo regular	La salida ELS tiene asignada una función diferente de "electrocerradura" y "luz de cortesía".
L7 Parpadeo lento	Todo regular	Las entradas P.P. y OPEN tienen asignadas una combinación de funciones diferente de "Paso a paso" y "Abrir parcial 1" o de "abrir" y "cerrar".
L8 Parpadeo lento	Todo regular	La salida FLASH tiene asignada una función diferente de "Luz intermitente" e "indicador puerta abierta".

TABLA 12 - Lista historial de los desperfectos

01. Pulse y mantenga pulsado el pulsador "Set" durante unos 3 segundos;	
02. Suelte el pulsador cuando el led "L1" comience a destellar;	
03. Pulse el pulsador "◀" o "▶" para desplazarse desde el led que está destellando al led L8 ("led de entrada") para el parámetro "Lista desperfectos";	
04. Pulse y mantenga pulsado el pulsador "Set" hasta concluir el punto 06;	
05. Espere alrededor de 3 segundos hasta que se enciendan los leds que representan los niveles que corresponden a los movimientos que tienen problemas. El led L1 indica el resultado del movimiento más reciente, mientras que el led L8 indica el octavo movimiento. Si el led estuviera encendido significa que se han producido desperfectos, mientras que si el led estuviera apagado significa que todo está bien;	
06. Pulse los pulsadores "◀" y "▶" para seleccionar el movimiento deseado: el led correspondiente destellará la misma cantidad de veces que la luz intermitente;	
07. Suelte el pulsador "Set".	

8 OTRAS INFORMACIONES

Para HOPP están previstos los siguientes accesorios opcionales: receptores de la familia SMXI, OXI y el programador Oview, el panel de energía solar Solemyo y la batería compensadora mod. PS124.

8.1 - Conexión de un receptor

La central de mando incorpora un conector para la conexión de los receptores (accesorios opcionales) que pertenecen a la familia SMXI y OXI. Para conectar un receptor, corte la corriente eléctrica de la central y proceda como se mues-

tra en la fig. 16. En la Tabla 13 y Tabla 14 se mencionan los mandos que corresponden a las salidas incorporadas en la central.

8.2 - Conexión e instalación de la batería compensadora mod. PS124

¡ATENCIÓN! - La conexión eléctrica de la batería a la central debe realizarse solo tras concluir todas las fases de instalación y programación, ya que la batería constituye una alimentación eléctrica de emergencia.

Para instalar y conectar la batería, siga las fases de montaje mostradas en la fig. 17.

TABLA 13
SMXI / SMXIS o bien OXI / OXIFM / OXIT / OXITFM en modo I o Modo II

Salida N°1	Mando "P.P." (Paso a Paso)
Salida N°2	Mando "apertura parcial 1"
Salida N°3	Mando "Abrir"
Salida N°4	Mando "Cerrar"

TABLA 14 - OXI / OXIFM / OXIT / OXITFM en modo II amplio

N°	Mando	Descripción
1	Paso a Paso	Mando "P.P." (Paso a Paso)
2	Apertura parcial 1	Mando "Apertura parcial 1"
3	Abrir	Mando "Abrir"
4	Cerrar	Mando "Cerrar"
5	Stop	Detiene el movimiento
6	Paso a Paso Comunitario	Mando en modalidad Comunitaria
7	Paso a Paso prioridad alta	Acciona incluso con la automatización bloqueada o con los mandos activos
8	Abrir parcial 2	Apertura parcial (Apertura de la hoja M2, equivalente a la 1/2 de la apertura total)
9	Abrir parcial 3	Abrir parcial (apertura de las dos hojas, equivalente a la 1/2 de la apertura total))
10	Abrir y Bloquear automatización	Provoca un movimiento de apertura y al final de éste provoca el bloqueo del automatismo; la central no acepta ningún otro mando salvo "Paso a paso prioridad alta", "Desbloquear" automatización o bien (sólo desde Oview) los mandos: "Desbloquear y cerrar" y "Desbloquear y abrir"
11	Cerrar y Bloquear automatización	Provoca un movimiento de cierre y al final de éste provoca el bloqueo del automatismo; la central no acepta ningún otro mando salvo "Paso a paso prioridad alta", "Desbloquear" automatización o bien (sólo desde Oview) los mandos: "Desbloquear y cerrar" y "Desbloquear y abrir"
12	Bloquear automatización	Provoca una parada del movimiento y el bloqueo del automatismo; la central no acepta ningún otro mando salvo "Paso a paso prioridad alta", "Desbloquear" automatización o bien (sólo desde Oview) los mandos: "Desbloquear y cerrar" y "Desbloquear y abrir"
13	Desbloquear automatización	Provoca el desbloqueo del automatismo y el restablecimiento del funcionamiento normal
14	On Timer Luz de cortesía	Se enciende la salida Luz de cortesía con apagado temporizado
15	On-Off Luz de cortesía	Se enciende y apaga la salida Luz de cortesía en modalidad paso a paso

8.3 - Conexión del programador Oview

La central incluye el conector BusT4, al que se puede conectar la unidad de programación Oview, que permite una gestión rápida y completa de las fases de instalación, mantenimiento y diagnóstico de todo el automatismo. Para acceder al conector es necesario seguir las indicaciones de la **fig. 18** y conectar el conector en el alojamiento correspondiente. El Oview puede conectarse a varias Centrales simultáneamente (hasta 5 sin precauciones especiales, o hasta 60 respetando las advertencias oportunas) y puede permanecer conectado a la central durante el funcionamiento normal del automatismo. En este caso se puede utilizar para enviar directamente los mandos a la central mediante el menú específico "usuario". También se puede realizar la actualización del Firmware. Si la central incluye un radioreceptor perteneciente a la familia OXI, utilizando el Oview se puede acceder a los parámetros de los transmisores memorizados en el receptor.

8.4 - Conexión del sistema de energía solar Solemyo

¡ATENCIÓN! – Cuando el automatismo esté alimentado por el sistema "Solemyo", NO DEBE ESTAR ALIMENTADO simultáneamente por la red eléctrica.

Para más informaciones sobre el sistema Solemyo, consulte el manual de instrucciones respectivo.

Para conectar el sistema Solemyo, proceda como se muestra en la **fig. 19**.

8.5 - Conexión del sistema de desbloqueo exterior Kio (fig. 20)

¡ATENCIÓN! – Kio debe conectarse al motorreductor que mueve la hoja que arranca primero (comenzando desde la posición de cancela cerrada).

01. Quite la tapa de plástico (1);
02. Introduzca el perno (3) en el agujero del eje de desbloqueo (2);
03. Introduzca el cable de acero (7) primero en el tornillo (4), después en el agujero (5) y después en el agujero del perno (3);
04. Enganche el muelle (6) con los dos extremos tal como se muestra en la figura;
05. Bloquee el cable enroscando el tornillo correspondiente (4);
06. Pase el otro extremo del cable a través del agujero presente en la parte inferior del motorreductor;
07. Coloque la tapa de plástico (1);
08. Entonces, conecte el cable a Kio tomando como referencia el manual de instrucciones correspondiente.

9 MANTENIMIENTO DEL PRODUCTO

Para mantener constante el nivel de seguridad y garantizar una máxima durabilidad de todo el automatismo, es necesario llevar a cabo un mantenimiento regular.

El mantenimiento debe realizarse cumpliendo plenamente las prescripciones de seguridad contenidas en este manual y lo previsto por las leyes y normativas vigentes.

Someta el producto a revisiones frecuentes, para comprobar si hay desequilibrios de las hojas o signos de desgaste o daños en los cables. No utilice el producto si es necesario efectuar reparaciones o ajustes.

Importante – Durante las fases de mantenimiento o limpieza del producto, desconecte la central de la alimentación eléctrica y de las baterías, si están previstas.

Para los demás dispositivos incluidos en la instalación, atégase a lo previsto en los respectivos planes de mantenimiento.

Para los motorreductores HO7124, HO7224 es necesario efectuar un mantenimiento programado antes de que transcurran 6 meses o se realicen 20.000 maniobras desde el mantenimiento anterior.

Para realizar el mantenimiento siga estas instrucciones:

01. Desconecte cualquier fuente de alimentación eléctrica, incluidas las posibles baterías compensadoras;
02. Compruebe el estado de deterioro de soportes y tacos de fijación con

especial atención a fenómenos de erosión u oxidación de las piezas; sustituya las piezas que no ofrezcan garantías suficientes;

03. Haga una prueba de desbloqueo para comprobar su correcto funcionamiento (véase el párrafo 3.6).
04. Vuelva a conectar las fuentes de alimentación eléctrica y realice todas las pruebas y comprobaciones previstas en el capítulo 5 - Ensayo.

ELIMINACIÓN DEL PRODUCTO

Este producto constituye parte integrante del automatismo, por lo que se debe eliminar junto con él.

Al igual que para las operaciones de instalación, al final de la vida útil de este producto, las operaciones de desguace también deben ser llevadas a cabo por personal cualificado.

Este producto está formado por diversos tipos de materiales: algunos de ellos se pueden reciclar, pero otros deben eliminarse. Infórmese acerca de los sistemas de reciclaje o eliminación previstos por los reglamentos vigentes en su territorio para esta categoría de producto.

¡Atención! – Algunos componentes del producto pueden contener sustancias contaminantes o peligrosas que, si se liberan al medio ambiente, podrían tener efectos nocivos sobre el medio ambiente y sobre la salud de las personas.

Como indica el símbolo de al lado, se prohíbe desechar este producto junto con los residuos domésticos. Así pues, lleve a cabo la separación de los residuos según los métodos previstos por los reglamentos vigentes en su territorio, o entregue el producto al vendedor cuando adquiera uno nuevo equivalente.



¡Atención! – los reglamentos vigentes a nivel local pueden prever graves sanciones en caso de eliminación incorrecta de este producto.

Eliminación de la batería compensadora (si está instalada)

¡Atención! – La batería descargada contiene sustancias contaminantes y por tanto no se debe desechar junto con los residuos normales.

Es necesario eliminarla aplicando los métodos de separación de residuos previstos por las normativas vigentes en su territorio.

CARACTERÍSTICAS TÉCNICAS DEL PRODUCTO

ADVERTENCIAS: • Todas las características técnicas indicadas se refieren a una temperatura ambiente de 20°C (± 5°C). • Nice S.p.a. se reserva el derecho de modificar el producto en cualquier momento que lo considere necesario, manteniendo las mismas funcionalidades y el mismo uso previsto.

	HO7124	HO7224
Tipo	Motorreductor electromecánico para automatismos de puertas y portones automáticos con motor de corriente continua, reductor epicicloidal, desbloqueo mecánico. Central de mando incorporada y radioreceptor OXI	Motorreductor electromecánico para automatismos de puertas y portones automáticos con motor de corriente continua, reductor epicicloidal, desbloqueo mecánico.
Par máximo	250 Nm	
Par nominal	100 Nm	
Velocidad en vacío	0,17 rad/s (1,6 rpm)	
Velocidad al par nominal	0,13 rad/s (1,2 rpm)	
Frecuencia máxima de los ciclos *	35 ciclos/hora	
Tiempo máximo ciclo continuo **	10 minutos	
Límites de utilización	el producto se puede utilizar en puertas con hojas de hasta 250 kg de peso con una longitud de hasta 1,5 m y de hasta 160 kg de peso con una longitud de hasta 2,4 m	
Durabilidad	estimada entre 800.000 y 250.000 ciclos, de acuerdo con las condiciones indicadas en la Tabla 15 y el Gráfico 3	
Alimentación	230 V~ (120 V~ para la versión HO7124/V1) ±10%; 50/60 Hz	24 V= (±25%)
Alimentación de emergencia	predisposición para baterías compensadoras PS124	
Alimentación con paneles solares	predisposición para Kit SYKCE	
Potencia máxima absorbida en el par nominal	170 W	50 W
Potencia pico	280 W	100 W
Corriente nominal absorbida	0,8 A (1,6 A para la versión HO7124/V1)	2 A
Corriente massima assorbita	1,3 A (2,6 A para la versión HO7124/V1)	4 A (durante un tiempo máximo de 1 s)
Potencia absorbida en "Standby- Todo" con alimentación desde PS124 o kit SYKCE (incluido el receptor OXI)	menos de 100 mW	
Salida luz intermitente ***	una luz intermitente LUCYB (bombilla 12 V=, 21 W)	
Salida electrocerradura ***	una electrocerradura de 12 V~ máx 15 VA	
Salida BLUEBUS	una salida con carga máxima de 15 unidades Bluebus (máximo 6 pares de fotocélulas MOFB o MOFOB más 2 pares de fotocélulas MOFB o MOFOB direccionadas como dispositivos de apertura más un máximo de 4 dispositivos de mando MOMB o MOTB)	
Entrada STOP	para contactos normalmente cerrados, normalmente abiertos o para resistencia constante 8,2 Ω; el tipo de contacto se selecciona en autoaprendizaje y una variación respecto del estado memorizado provoca el mando "STOP"	
Entrada PP	para contactos normalmente abiertos (el cierre del contacto provoca el mando Paso a Paso)	
Entrada OPEN	para contactos normalmente abiertos (el cierre del contacto provoca el mando Abrir Parcial 1)	
Conexión radio	conector SM para receptores de la familia SMXI, OXI y OXIFM	
Entrada ANTENA Radio	50 Ω para cable tipo RG58 o similar	
Funciones programables	8 funciones tipo ON-OFF (Tabla 5) y 8 funciones regulables (Tabla 6)	
Funciones en autoaprendizaje	<ul style="list-style-type: none"> • Autoaprendizaje de los dispositivos conectados a la salida BlueBus. • Autoaprendizaje del tipo de dispositivo conectado al borne "STOP" (contacto NA, NC o resistencia 8,2 Ω). • Autoaprendizaje de la carrera de las hojas y cálculo automático de los puntos de desaceleración y apertura parcial. • Autoaprendizaje del funcionamiento con uno o dos motores 	
Montaje	en posición vertical, con una placa de fijación específica	
Temperatura de funcionamiento	de -20°C a +50°C (con temperaturas bajas disminuye la eficiencia del motorreductor)	
Empleo en atmósfera ácida, salobre o con riesgo de explosión	NO	
Clase de protección	IP 54 (con caja integra)	
Dimensiones (mm)	180 x 252 x 290 h	
Peso (kg)	9	6,5

[*] Frecuencia de los ciclos a la temperatura máxima: 25 ciclos/hora

[**] Tiempo máximo de ciclo continuo a la temperatura máxima: 8 minutos

[***] Las salidas "Luz Intermitente" y "Electrocerradura" pueden programarse con otras funciones (véase la "TABLA 5 - Funciones de 1° nivel"; o bien mediante el programador Oview, véase el capítulo 8.3). Las características eléctricas de las salidas se adecuan al tipo de función seleccionada: • función luz intermitente: bombilla 12 V=, 21 W máx.; • función electrocerradura: 12 V~ 15 VA máx.; • otras salidas (todos los tipos): 1 bombilla o relé 24 V= (-30 y +50%), 4 W máx.

DURABILIDAD DEL PRODUCTO

La durabilidad es la vida útil media del producto. El valor de la durabilidad depende mucho del índice de dificultad de los movimientos ejecutados por el automatismo: es decir la suma de todos los factores que contribuyen al desgaste del producto (véase la Tabla 15).

Para establecer la probable durabilidad de su automatismo, proceda de la siguiente manera:

01. Calcule el índice de dificultad sumando entre sí los valores en porcentaje de los elementos presentes en la **Tabla 15**;

02. En el **Gráfico 3** del valor apenas encontrado, trace una línea vertical hasta cruzar la curva; desde este punto, trace una línea horizontal hasta cruzar la línea de los "ciclos de movimientos". El valor determinado es la durabilidad estimada de su producto.

El valor estimado de durabilidad se obtiene sobre la base de los cálculos de proyecto y de los resultados de los ensayos efectuados con los prototipos. En efecto, siendo un valor estimado, no representa ninguna garantía sobre la duración efectiva del producto.

Ejemplo del cálculo de durabilidad de un motorreductor HOPP (tome como referencia la Tabla 15 y el Gráfico 3):

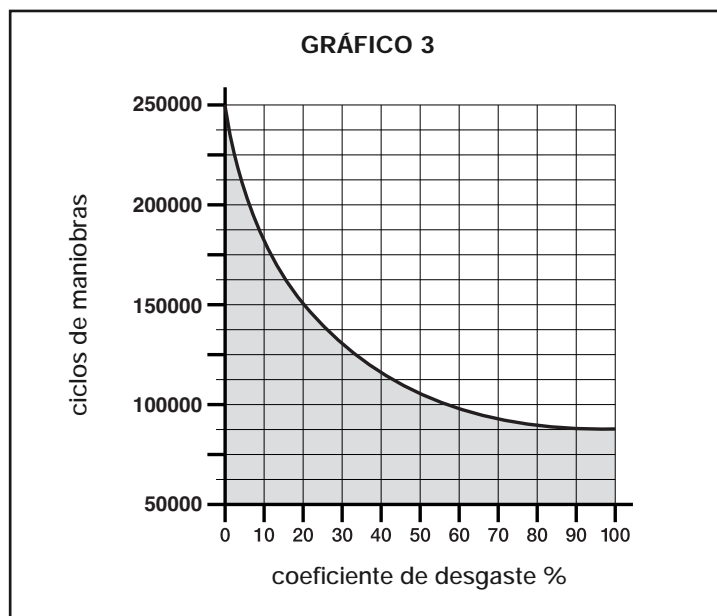
- longitud de la hoja = 1,3 m (índice de dificultad: 15%);

- peso de la hoja: 180 kg (índice de dificultad: 30%);

- hoja ciega (índice de dificultad: 15%);

Índice de dificultad total = 60%;

Durabilidad estimada = 100.000 ciclos de movimientos



		Índice de dificultad
Longitud de la hoja	< 1,0 m	-
	1,0 - 1,5 m	15%
	1,5 - 2,4 m	20%
Peso de la hoja	< 100 kg	-
	100 - 150 kg	20%
	150 - 250 kg	30%
Temperatura ambiente superior a 40°C o inferior a 0°C o humedad superior al 80%		20%
Hoja ciega		15%
Instalación en zona ventosa		15%
<i>Nota - Los datos se refieren a un portón seccional equilibrado y en perfectas condiciones de mantenimiento</i>		

DECLARACIÓN DE CONFORMIDAD CE y declaración de incorporación de "cuasi máquina"

Declaración de conformidad con las Directivas: 2004/108/CE (CEM); 2006/42/CE (DM) anexo II, parte B

Nota - el contenido de esta declaración corresponde a aquello declarado en el documento oficial depositado en la sede de Nice S.p.a., y en particular, a su última revisión disponible antes de la impresión de este manual. El presente texto ha sido readaptado por motivos de impresión. La copia de la declaración original puede solicitarse a Nice S.p.a. (TV) I.

Número de declaración: 376/HOPP

Revisión: 0

Idioma: ES

Nombre del fabricante: NICE S.p.A.
Dirección: Via Pezza Alta, N° 13, 31046 Rustignè di Oderzo (TV) Italia
Persona autorizada para construir la documentación técnica: Sr. Oscar Marchetto
Dirección: Via Pezza Alta, N° 13, 31046 Rustignè di Oderzo (TV) Italia
Tipo de producto: Motorreductor electromecánico "HOPP" con central incorporada
Modelo / Tipo: HO7124, HO7224
Accesorios: SMXI, OXI, PS124, Oview

El suscrito, Luigi Paro, en su carácter de Administrador Delegado, declara bajo su responsabilidad que el producto antedicho cumple con las disposiciones establecidas por las siguientes directivas:

- Directiva 2004/108/CE DEL PARLAMENTO EUROPEO Y DEL CONSEJO del 15 de diciembre de 2004 sobre la aproximación de las legislaciones de los Estados miembros relativas a la compatibilidad electromagnética y que abroga la Directiva 89/336/CEE, según las siguientes normas:
EN 61000-6-2:2005; EN 61000-6-3:2007

El producto también es conforme con la siguiente directiva según los requisitos previstos por las "cuasi máquinas":

- Directiva 2006/42/CE DEL PARLAMENTO EUROPEO Y DEL CONSEJO del 17 de mayo de 2006 relativa a las máquinas y que modifica la Directiva 95/16/CE (refusión)
 - Se declara que la documentación técnica correspondiente ha sido realizada de conformidad con el anexo VII B de la Directiva 2006/42/CE y que se han respetado los siguientes requisitos esenciales:
1.1- 1.1.2- 1.1.3- 1.2.1-1.2.6- 1.5.1-1.5.2- 1.5.5- 1.5.6- 1.5.7- 1.5.8- 1.5.10- 1.5.11
 - El fabricante se obliga a transmitir a las autoridades nacionales, como respuesta a una solicitud motivada, las informaciones pertinentes sobre la "cuasi máquina", sin perjuicio de imprevijuzgar los propios derechos de propiedad intelectual.
 - Si la "cuasi máquina" fuera puesta en servicio en un País europeo con un idioma oficial diferente de aquel utilizado en esta declaración, el importador tendrá la obligación de anexar a la presente declaración la traducción correspondiente.
 - Se advierte que la "cuasi máquina" no deberá ponerse en servicio hasta que la máquina final donde será incorporada no sea declarada conforme, en su caso, a las disposiciones de la Directiva 2006/42/CE.

El producto también es conforme a las siguientes normas:

EN 60335-1:2002 + A1:2004 + A11:2004 + A12:2006 + A2:2006 + A13:2008
EN 60335-2-103:2003

El producto es conforme, sólo para las piezas aplicables, a las siguientes normas:

EN 13241-1:2003, EN 12445:2002, EN 12453:2002, EN 12978:2003

Oderzo, 24 de enero 2011

Ing. Luigi Paro (Administrador Delegado)



Inhaltsverzeichnis

1 - ALLGEMEINE SICHERHEITSHINWEISE UND MASSNAHMEN	1
1.1 - Sicherheitshinweise	1
1.2 - Hinweise zur Installation	1
1.3 - Hinweise zur Bedienung	1
2 - PRODUKTBESCHREIBUNG UND EINSATZ	1
3 - INSTALLATION	2
3.1 - Überprüfungen vor der Installation	2
3.2 - Einsatzgrenzen	2
3.3 - Vorbereitungen für die Installation	2
3.4 - Installation des Torantriebs Mod. HO7124 - HO7224	2
3.5 - Einstellung der mechanischen Endanschläge	3
3.6 - Manuelles Blockieren und Entriegeln des Antriebe	3
4 - ELEKTRISCHE ANSCHLÜSSE	3
4.1 - Stromverbindungen der Torantriebe	3
4.2 - Verbindung sonstiger Vorrichtungen	3
4.3 - Adressierung der angeschlossenen Vorrichtungen	4
4.4 - Erstes Einschalten und Überprüfung der Anschlüsse	4
4.5 - Erlernung der verbundenen Vorrichtungen	4
4.6 - Erlernung der Positionen der mechanischen Endanschläge	4
4.7 - Überprüfung der Torflügelbewegung	5
5 - ABNAHME UND INBETRIEBSETZUNG	5
5.1 - Abnahme	5
5.2 - Inbetriebsetzung	5
6 - PROGRAMMIERUNG DER STEUERUNG	6
6.1 - Programmierung erstes Niveau (ON-OFF)	6
6.2 - Zweites Niveau: Programmierung (einstellbare Parameter)	6
6.3 - Spezielle Funktionen	8
6.4 - Löschen des Speichers	8
7 - WAS TUN, WENN... (Leitfaden zum Lösen von Problemen)	9
8 - WEITERE AUSKÜNFTE	10
8.1 - Anschluss eines Funkempfängers	10
8.2 - Anschluss und Installation der Pufferbatterie Mod. PS124	10
8.3 - Anschluss des Oview-Programmierers	11
8.4 - Anschluss des Systems an die Solemyo-Solarenergie	11
8.5 - Anschluss des externen Entriegelungssystems Kio	11
9 - WARTUNG DES PRODUKTES	11
ENTSORGUNG DES PRODUKTES	11
TECHNISCHE MERKMALE DES PRODUKTS	12
Produktlebensdauer	13
CE-KONFORMITÄTSERKLÄRUNG	14
ANHANG	I
Anweisungen und Hinweise für den Benutzer	III
Darstellungen	IX

1 HINWEISE UND ALLGEMEINE SICHERHEITSMASSNAHMEN

1.1 - Sicherheitshinweise

- **ACHTUNG!** – Das vorliegende Handbuch enthält wichtige Anweisungen und Hinweise zur Sicherheit. Eine falsche Installation kann zu schweren Verletzungen führen. Vor Arbeitsbeginn muss die ganze Gebrauchsanleitung aufmerksam durchgelesen werden. Bei Zweifeln, die Installation unterbrechen und den Kundendienst Nice um Klärung bitten.
- **ACHTUNG!** – Wichtige Anweisungen: für Wartungseingriffe und die Entsorgung des Produkts ist diese Gebrauchsanweisung sorgfältig aufzubewahren.
- **ACHTUNG!** – Nach der neusten Europäischen Gesetzgebung muss die Ausführung einer Automatiktür oder eines ebensolchen Tors den Normen der Richtlinie 2006/42/CE (vorher 98/37/EG) (Maschinenrichtlinie) und im Besonderen den Normen EN 12445; EN 12453; EN 12635 und EN 13241-1 entsprechen, durch sie wird die vorausgesetzte Konformität der Automation erklärt. In Anbetracht dessen, müssen alle Installations- und Anschlussarbeiten, die Endabnahme und Wartung des Produkts ausschließlich von zuständigen und qualifizierten Technikern durchgeführt werden!

1.2 - Installationshinweise

- Vor Installationsbeginn prüfen, ob sich das Produkt für den gewünschten Einsatz eignet (siehe "Einsatzgrenzen" Absatz 3.2 und "Technische Merkmale des Produkts"). Erweist es sich als ungeeignet, die Installation NICHT vornehmen.
- Der Inhalt dieses Handbuchs bezieht sich auf eine typische Anlage, wie in **Abb. 3** beschrieben wird.
- **Bei allen Installations- und Wartungsarbeiten muss die Automation vom Stromnetz abgetrennt sein.** Wenn die Abtrennvorrichtung vom Unterbringungsort der Automatisierung nicht zu sehen ist, muss vor Beginn der Arbeiten auf der Abtrennvorrichtung ein Schild mit der Schrift "ACHTUNG! LAUFENDE WARTUNG" angebracht werden.
- Das Steuergerät muss an eine Stromleitung mit einer sicheren Erdung angeschlossen werden.
- Das Produkt während der Installation vorsichtig handhaben, um Quetschungen, Schläge, Herunterfallen oder Berührung mit Flüssigkeiten gleich welcher Natur zu vermeiden. Das Produkt keiner Wärmequelle oder einer offenen Flamme aussetzen. All dies kann zu Beschädigungen führen und Betriebsstörungen oder gefährliche Situationen hervorrufen. Sollte dies der Fall sein, die Installation sofort abbrechen und den Kundendienst Nice verständigen.
- An keinem Teil des Produkts Änderungen vornehmen. Nicht zulässige Eingriffe verursachen nur Störungen. Für willkürliche Änderungen des Produkts übernimmt der Hersteller keine Haftung.
- Falls das zu automatisierende Tor eine Gekür hat, muss mit einem Kontrollsystem dafür gesorgt werden, dass der Motorbetrieb bei offener Gekür unterdrückt ist.
- Das Verpackungsmaterial des Produkts muss unter Beachtung der örtlichen Bestimmungen entsorgt werden.

1.3 - Gebrauchshinweise

- Das Produkt darf nicht von Personen (einschließlich Kinder) mit eingeschränkten körperlichen, geistigen oder wahrnehmlich gestörten Fähigkeiten oder fehlender Erfahrung oder Kenntnis benutzt werden, es sei denn, eine für ihre Sicherheit verantwortliche Person überwacht sie oder unterweist sie im Gebrauch des Produkts.
- Kinder, die sich in der Nähe der Automatisierung aufhalten, müssen beaufsichtigt werden, damit sie nicht mit der letzteren spielen.
- Kinder dürfen nicht mit den befestigten Bedieneinrichtungen spielen. Die tragbaren Bedieneinrichtungen (Fernbedienungen) gehören nicht in Kinderhände.

2 PRODUKTBESCHREIBUNG UND BESTIMMUNGSZWECK

Die Vorrichtungen, die dieses Produkt zusammensetzen, sind für die Automatisierung von Drehoren für Wohnanlagen und die Industrie bestimmt.

ACHTUNG! – Jeder andere Einsatz, auch unter anderen Bedingungen, als in dieser Gebrauchsanleitung aufgeführt, ist als falsch zu betrachten und somit verboten!

Der Hauptteil der Automatisierung besteht aus einem oder zwei elektromechanischen Torantrieben (aufgrund der zu automatisierenden Flügel), die jeweils mit einem Gleichstrommotor und einem Untersetzungsgetriebe mit Zahnrädern mit geraden Zähnen ausgestattet sind. Einer der beiden Torantriebe (Mod. HO7124) ist mit einer Steuerung ausgestattet, die den Betrieb überwacht. Die Steuerung besteht aus einer Steuerkarte und einem Funkempfänger, der die von einem Sender übermittelten Befehle empfängt. Die Steuerung ist speziell dafür vorge-rüstet, um an die verschiedenen Vorrichtungen des Systems Opera, Bluebus und des Solarspeisungssystem Solemyo angeschlossen zu werden, siehe Kapitel 8 - Vertiefungen. Es kann eine Pufferbatterie eingebaut werden (Mod. PS124, Optional), die der Automatisierung im Falle eines Stromausfalls in den nächsten Stunden einige Bewegungen ermöglicht.

Im Falle einer Stromunterbrechung ist es möglich, die Flügel des Tors zu bewegen, indem der Torantrieb mit dem entsprechenden Schlüssel entriegelt wird (siehe Abschnitt 3.6).

Weitere verfügbare Zubehörteile sind die vorge-rüsteten Empfänger mit „SM“-Kupplung (SMXI, OXI, usw.), siehe Kapitel 8 - Vertiefungen.

3.1 - Überprüfungen vor der Installation

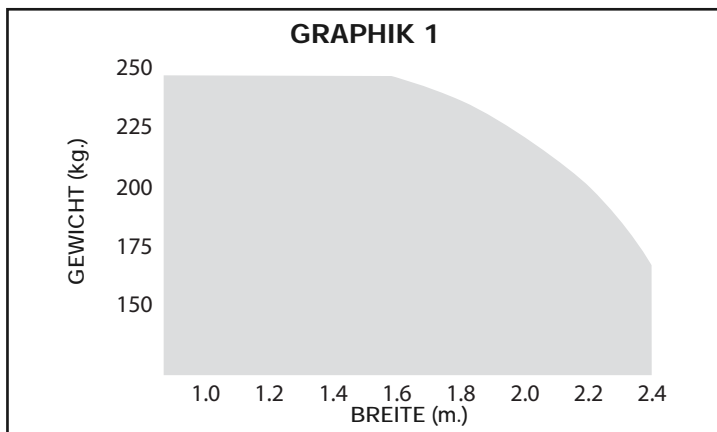
Vor der Installation ist die Unversehrtheit der Produktbauteile, die Eignung des gewählten Modells und des Installationsortes zu prüfen:

- Prüfen, dass das gesamte zu verwendende Material in einem optimalen Zustand ist und sich für den vorgesehenen Zweck eignet.
- Prüfen, dass in der Anlage die mechanischen Arretierungen sowohl bei der Schließung als auch bei der Öffnung am Boden (gehören nicht zum Lieferumfang) vorhanden sind.
- Prüfen, ob sich der mechanische Aufbau des Tors für eine Automatisierung eignet und den gesetzlichen Bestimmungen des betreffenden Landes entspricht (ggf. die Daten des Toraufklebers zu Hilfe nehmen). Ein nicht bereits effizientes und sicheres Tor kann mit diesem Produkt nicht automatisiert werden. Darüber hinaus kann es keine Mängel beseitigen, die durch eine falsche Installation des Tors oder seine vernachlässigte Wartung verursacht wurden.
- Prüfen, ob die Betriebsbedingungen der Vorrichtungen mit den erklärten Einsatzgrenzen kompatibel sind (siehe Absatz 3.2).
- Von Hand die Torflügel in beide Richtungen bewegen, sich dabei vergewissern, dass die Bewegung mit einer konstanten Reibung über den gesamten Torlauf erfolgt (es dürfen keine Stellen vorhanden sein, die einen geringeren oder stärkeren Kraftaufwand verlangen).
- Von Hand die Torflügel in eine beliebige Stellung bringen, sie anhalten und sicher stellen, dass sie sich nicht bewegen.
- Prüfen, ob der Befestigungsbereich des Getriebes für den Platzbedarf des letzteren ausreicht (Abb. 1).
- Im Umfeld, in dem das Getriebe installiert wird, muss ausreichend Platz für die komplette Rotation seines Auslegers sein (Abb. 2).
- Sich vergewissern, dass in Getriebehöhe ausreichend Platz für die Entriegelung des Getriebes von Hand vorhanden ist.
- Sich vergewissern, dass die Oberflächen, die für die Installation der einzelnen Vorrichtungen gewählt wurden, solide sind und eine stabile Befestigung gewährleisten.
- Prüfen, ob jede Vorrichtung, die installiert wird, sich in einer geschützten Stellung befindet und vor Schlägen sicher ist.
- Prüfen, dass alle Elektrokabel, die benutzt werden, den Angaben der Tabelle 1 entsprechen.

3.2 - Einsatzgrenzen

Bevor die Installation des Torantriebs ausgeführt wird, die folgenden Prüfungen vornehmen:

- Prüfen, ob der zu motorisierende Flügel innerhalb der Limits laut Graphik 1 liegt;
- **Höchstbreite** des Flügels: **2,4 m** (mit Gewicht bis max. 160 kg);
- **Höchstgewicht** des Flügels: **250 kg** (mit Breite bis max. 1,5 m);
- Die Limits der in der Tabelle der „Technischen Produkteigenschaften“ aufgeführten Werte prüfen;
- **Mindestbreite** des Bereichs für die Installation des Torantriebs: **170 mm**;
- Der Befestigungsbügel des Arms muss in einem robusten Bereich des Flügels sein (zum Beispiel der Rahmen), um eine solide und sichere Befestigung zu gewährleisten.



3.3 - Vorbereitungen für die Installation

Abb. 3 zeigt eine typische Anlage, die mit Nice-Komponenten zusammengestellt werden kann (einige Bauteile sind u. U. nicht im Bausatz enthalten):

- a - Torantrieb mit Steuerung Mod. HO7124
- b - Torantrieb ohne Steuerung Mod. HO7224
- c - Blinkleuchte MLBT
- d - Lichtschrankenpaar Mod. MOFB
- e - Digitaltastatur (Mod. MOTB) - Steuervorrichtung (Mod. MOMB) - Schlüsselschalter (Mod. MOSE)
- f - Paar Säulen für Lichtschranken
- g - Mechanischer Schließanschlag
- h - Elektroschloss

Diese Bauteile sind gemäß einem typischen und gebräuchlichen Schema angeordnet. Entsprechend Abb. 3, die etwaige Position festlegen, an der die einzelnen Anlagenteile installiert werden sollen. **Wichtig** – Vor Ausführung der Installation die für die vorgesehene Anlage erforderlichen Stromkabel vorbereiten. Hierzu auf Abb. 4 und „Tabelle 1 – Technische Eigenschaften der Stromkabel“ Bezug nehmen.

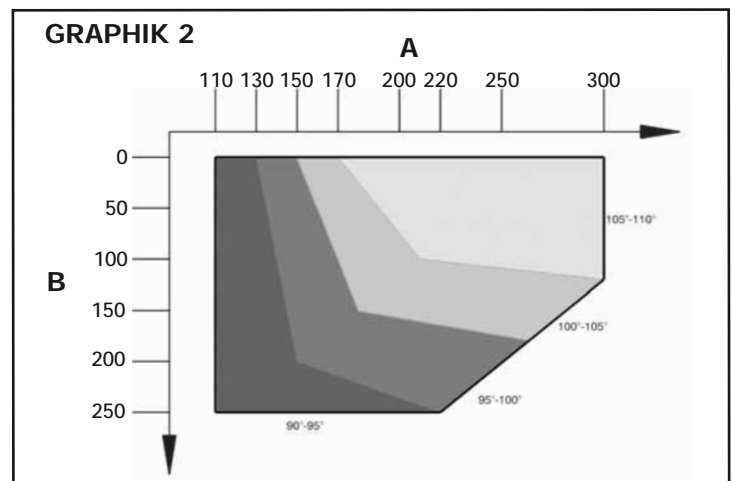
Achtung – Bei der Installation der Rohre für die Verlegung der Stromkabel ist zu beachten, dass die Verbindungsrohre aufgrund möglicher Wasserrückstände in den Abzweigdosen Kondensatbildung im Inneren der Steuereinheit verursachen und die elektronischen Kreise beschädigen können.

3.4 - Installation des Torantriebs Mod. HO7124 - HO7224

HINWEISE

- Eine falsche Installation kann schwerwiegende Verletzungen der die Arbeit ausführenden und die Anlage verwendenden Personen hervorrufen.
- Vor dem Zusammenbau der Automatisierung müssen die Vorprüfungen laut Abschnitt 3.1 und 3.2 ausgeführt werden.

01. Das Maß „B“ messen (Abb. 5);
02. Den Flügel in die gewünschte Höchstposition bringen und prüfen, ob der Wert des gefundenen Winkels innerhalb der Werte liegt, die in Graphik 2 aufgeführt sind;
03. In der Graphik 2, mit Maß „B“ und Öffnungswinkel, das Maß „A“ bestimmen (Abb. 6). *Beispiel: Wenn „B“ gleich 100 mm ist und der gewünschte Winkel gleich 100°, beträgt das Maß „A“ zirka 180 mm.*



04. Den Befestigungsbügel des Torantriebs waagrecht an der Wand befestigen, wie in Abb. 7: gezeigt wird: Dübel, Schrauben und passende Scheiben verwenden (nicht mitgeliefert);
05. Den Torantrieb an den zuvor befestigten Bügel befestigen, wie in Abb. 7-3: gezeigt wird; die mitgelieferten Schrauben M4, 8x13 verwenden;
06. Nun den gebogenen Arm befestigen, indem der Bolzen und der Stoppbenzing verwendet werden (Abb. 7-4); dann den Befestigungsbügel für den Flügel des Tors am gebogenen Arm befestigen, indem der Bolzen und der Stoppbenzing verwendet werden (Abb. 7-4);
07. Manuelles Entriegeln des Torantriebs (Abb. 7-6), siehe Abschn. 3.6;
08. Nun muss der Befestigungsbereich des Bügels am Torflügel bestimmt werden, indem die Arme des Torantriebs auf das Höchstmaß verlängert wer-

TABELLE 1 – Technische Eigenschaften der Stromkabel (Abb. 4)

Anschluss	Kabelart	Zugelassene Höchstlänge
A: Kabel SPEISUNG STEUERUNG	1 Kabel 3 x 1,5 mm ²	30 m (Anmerkung 1)
B: Kabel ELEKTROSCHLOSS	1 Kabel 2 x 1 mm ²	6 m
C: Kabel BLUEBUS-VORRICHTUNGEN	1 Kabel 2 x 0,5 mm ²	20 m (Anmerkung 2)
D: Kabel Schlüsseltaster	2 Kabel 2 x 0,5 mm ² (Anmerkung 3)	50 m
E: Kabel ZUR SPEISUNG DES TORANTRIEBS	1 Kabel 3 x 1,5 mm ²	10 m
F: KABEL für BLINKLEUCHTE mit Antenne	1 Kabel 2 x 1 mm ²	20 m
	1 Abschirmkabel Typ RG58	20 m (unter 5 m empfohlen)

Anmerkung 1 – Wenn das Versorgungskabel länger als 30 ist, muss ein Kabel mit größerem Querschnitt benutzt (3 x 2,5 mm²) und eine Sicherterdung in der Nähe der Automatisierung installiert werden.

Anmerkung 2 – Wenn das Bluebus-Kabel 20 m Länge überschreitet, bis höchstens 40 m, muss ein Kabel mit einem höheren Schnitt verwendet werden (2 x 1 mm²).

Anmerkung 3 – Diese beiden Kabel 2 können mit nur einem Kabel 4x0,5 mm² ersetzt werden.

ACHTUNG! – IDIE verwendeten Kabel müssen der Installationsumgebung angepasst werden.

den (Abb. 7-7): Es ist wichtig, den Bügel gegenüber der Position des Torantriebs am weitest entfernten Punkt zu platzieren:

09. Den Flügel durchbohren und den Bügel mit den geeigneten (nicht mitgelieferten) Schrauben befestigen (Abb. 7-8, 7-9 und 7-10);
10. Bevor der Torantrieb gesperrt wird, muss die Einstellung des mechanischen Öffnungsstopps ausgeführt werden (Abschnitt 3.5).

3.5 - Einstellung der mechanischen Endanschläge

01. Die Flügel des Tors von Hand in die Höchstöffnungsstellung bringen;
02. Die Kunststoffscheibe am unteren Teil des Torantriebs drehen, indem der Spalt unter dem Arm in die Position laut Abb. 8 gebracht wird;
03. Den Endanschlag in die erste mögliche Stellung bringen: Wie in Abb. 8 gezeigt einfügen (Öffnungsrichtung);
04. Die Scheibe so drehen, dass der Endanschlag nicht herunter fällt, wobei der Spalt in die Stellung laut Abb. 8 platziert wird; für eine präzisere Einstellung auf die Einstellschraube einwirken (Abb. 8);
05. Wenn in der Anlage kein Bodenverschluss vorliegt, muss der Vorgang ab Punkt 01 auch zur Einstellung des Endanschlags für das Schließen wiederholt werden;
06. Dann die Befestigungsmutter der Scheibe gut anziehen (Abb. 8), um sicherzustellen, dass sie sich nicht plötzlich dreht.

3.6 - Manuelles Blockieren und Entriegeln des Antriebs

Der Antrieb ist mit einem mechanischen Entriegelungssystem ausgestattet, das die manuelle Öffnung und Schließung ermöglicht. Diese manuellen Verfahren müssen bei Stromausfall oder Betriebsstörungen und während der Installation ausgeführt werden.

Entriegeln (Abb. 9):

01. Den Schlüssel einführen;
02. Den Schlüssel um 180° gegen den Uhrzeigersinn drehen;
03. Der Torflügel kann nun von Hand in die gewünschte Stellung verschoben werden.

Sperren (Abb. 10):

01. Den Schlüssel um 180° im Uhrzeigersinn drehen;
02. Den Schlüssel herausziehen.

4 ELEKTRISCHE ANSCHLÜSSE

Der Stromanschluss der verschiedenen Vorrichtungen (Lichtschranken, Digitaltastaturen, Transponder-Kartenlesegeräte usw.) in der Automatisierung mit Steuerung muss über das Nice-Bluebus-System ausgeführt werden.

Beschreibung der elektrischen Anschlüsse (Abb. 11)

ANTENNE	Eingang für die Antenne eines Funkempfängers
FLASH	Ausgang für 1 Blinkleuchte mit 12V-Lampe (höchstens 21 W). [*]
ELS	Ausgang für Elektroschloss 12 Vac (höchstens 15 VA). [*]
BLUEBUS	Eingang für kompatible Vorrichtungen (MOFB, MOFOB, MOB und MOTB; Anschluss der Vorrichtungen parallel auf 2 Leitern, auf denen die Stromversorgung wie die Kommunikationssignale verlaufen; keine einzuhaltende Polarität. Der zu verwendende Stromanschluss erfolgt parallel, wobei keine Polaritäten eingehalten werden müssen. Während der Erlernungsphase wird jede an der Steuerung angeschlossene Vorrichtung dank eines unverwechselbaren Codes einzeln von dieser erkannt. Wenn eine Vorrichtung zugefügt oder beseitigt wird, muss die Erlernung dieser durch die Steuerung ausgeführt werden (siehe Abschnitt 4.5).
STOP	Eingang für Vorrichtungen, die mit ihrem Eingriff den sofortigen Stopp der vorliegenden Bewegung hervorrufen, der eine kurze Umkehrung folgt; die Möglichkeit, NA-, NC- Kontakte anzuschließen oder Vorrichtungen mit einem Ausgang mit einem konstanten Widerstand 8,2 kΩ (Schaltleisten). Jede an diesem Eingang angeschlossene Vorrichtung wird während der Erlernung durch die Steuerung einzeln erkannt (Abschnitt 3.4); in dieser Phase wird ein STOPP hervorgerufen, wenn die Steuerung eine Änderung gegenüber dem erlernten Zustand erfasst. Es ist möglich, an diesen Eingang eine oder mehrere, auch unterschiedliche Vorrichtungen anzuschließen: <ul style="list-style-type: none"> – Mehrere NA-Vorrichtungen können miteinander in unbegrenzter Menge parallel angeschlossen werden; – mehrere NC-Vorrichtungen ohne Mengenbegrenzung serienmäßig anschließen); – 2 Vorrichtungen mit Ausgang mit konstantem Widerstand 8,2 kΩ, parallel anschließen. Wenn mehr als 2 Vorrichtungen vorliegen, müssen sie mit nur einem 1 Endwiderstand mit 8,2 kΩ kaskadengeschaltet werden; – 2 NA- und NC-Vorrichtungen parallel anschließen, an den NC-Kontakt einen Widerstand mit 8,2 kΩ serienmäßig anschließen (das ermöglicht auch die Kombination zwischen den 3 NA - NC-Vorrichtungen und 8,2 kΩ)
P.P.	Eingang für Steuervorrichtungen, die nach ihrem Eingriff die Bewegung im Schrittbetrieb hervorrufen; es besteht die Möglichkeit, NA-Kontakte anzuschließen

OPEN Eingang für Steuervorrichtungen, die nach ihrem Eingriff nur die Teilöffnungsbewegung 1 hervorrufen; es besteht die Möglichkeit, NO-Kontakte anzuschließen

M Ausgang für Torantrieb ohne Steuerung (HO7224)

[*] Die Ausgänge FLASH und ELS können mit anderen Funktionen programmiert werden (siehe "TABELLE 5 - Funktionen 1. Niveau; oder durch den Oview-Programmierer, siehe Kapitel 8.3).

4.1 - Stromverbindungen der Torantriebe

ACHTUNG! – Die Stromanschlüsse erst nach der Installation des Torantriebs ausführen.

WICHTIGE HINWEISE!

– Die Anschlussarbeiten dürfen nur von qualifiziertem Personal ausgeführt werden.

– Alle elektrischen Anschlüsse müssen ohne Netzspannung und bei getrennter Pufferbatterie (wenn diese in der Automatisierung vorliegt) ausgeführt werden.

– An der Netzstromleitung muss eine Vorrichtung vorgesehen werden, die die vollständige Trennung der Automatisierung vom Netz sichert. Die Trennungsvorrichtung muss Kontakte mit einer Öffnungsdistanz aufweisen, die eine vollständige Trennung unter den von der Überspannungskategorie III vorgesehenen Bedingungen ermöglicht sowie den Installationsregeln entsprechen.

01. Den Deckel des Torantriebs öffnen (Abb. 12-1);
02. Das Speisekabel und die anderen Stromkabel durch eine der im unteren Bereich des Torantriebs vorliegenden Bohrungen ziehen (Abb. 12-2);
03. Zuerst das Stromkabel des Motors mit Zentrale HO7124 anschließen: Den Kabelniederhalter abschrauben (Abb. 12-3) und das Speisekabel wie in Abb. 12-4 gezeigt anschließen; dann das Kabel mit dem Kabelniederhalter sperren (Abb. 12-5);
04. Nun das Kabel, das den Motor ohne Steuerung (HO7224) speist, anschließen wie in Abb. 13 gezeigt wird;
05. Nun die Stromkabel der verschiedenen Vorrichtungen anschließen, wobei man sich auf Abb. 11 und Abschnitt 4.3 bezieht. Anmerkung – Zur Erleichterung der Kabelanschlüsse können die Klemmen aus ihren Einsätzen gezogen werden;
06. In der Tabelle 2 die Art der zu programmierenden Anlage herausuchen und wenn nötig, den Wahlschalter JA und die Brücke JB wie beschrieben einstellen;
07. Den Deckel der Torantriebe wieder schließen (Abb. 12-6).

TABELLE 2

	JA	JB
	JA	JB
	JA	JB
	JA	JB
	JA	JB
	JA	JB
	JA	JB
	JA	JB

4.2 - Verbindung sonstiger Vorrichtungen

Wenn weitere in der Anlage vorliegende Vorrichtungen, wie zum Beispiel ein Transponder-Kartenlesegerät oder die Beleuchtung für den Schlüsselwahlschalter gespeist werden müssen, können diese Vorrichtungen an die Steue-

ung über die Klemmen P.P. (Plus) und STOP (Minus) angeschlossen werden (Abb. 11). Die Stromspannung beträgt 24 Vcc (-30% ÷ +50%) mit einem maximal erhältlichen Strom von 200 mA.

Anmerkung – Die verfügbare Spannung in den Klemmen "P.P." und "STOP" verbleibt auch, wenn die Funktion "Stand By" in der Karte aktiviert wird.

4.3 - Adressierung der mit angeschlossenen Vorrichtungen

Um der Steuerung zu ermöglichen, die am System Bluebus angeschlossenen Vorrichtungen zu erkennen, muss die Adressierung dieser ausgeführt werden. Dieser Vorgang muss durch die korrekte Positionierung der in jeder Vorrichtung vorliegenden Brücke vorgenommen werden, siehe Gebrauchsanleitung jeder einzelnen Vorrichtung. Siehe **Abb. A** und **Tabelle 3**.

Um die Adressierung anderer Vorrichtungen auszuführen, müssen die jeweiligen Gebrauchsanleitungen gelesen werden. Am Ende der Installation oder nach der Entfernung der Lichtschranken oder anderer Vorrichtungen ist es notwendig, das Erlernungsverfahren dieser vorzunehmen, siehe Abschnitt 4.5.

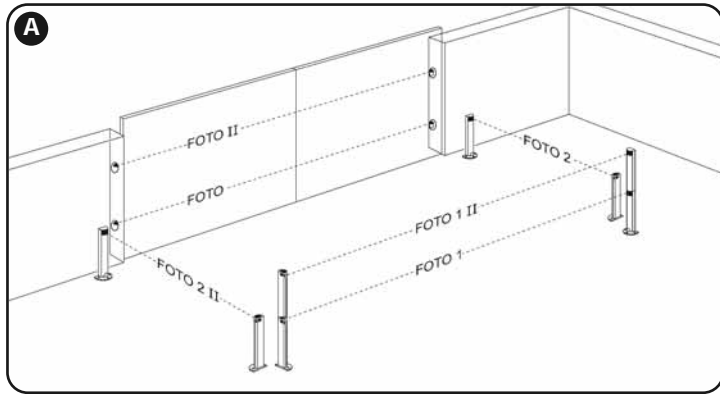


TABELLE 3 - ADRESSEN DER LICHTSCHRANKEN

Lichtschranke	Überbrückungen
FOTO Lichtschranke außen h = 50 mit Auslösung während Schließung (stoppt und kehrt die Bewegung um)	
FOTO II Lichtschranke außen h = 100 mit Auslösung während Schließung (stoppt und kehrt die Bewegung um)	
FOTO 1 Lichtschranke innen h = 50 mit Eingriff während Schließung (stoppt und kehrt die Bewegung um), wie auch während der Öffnung (stoppt und geht weiter, wenn die Lichtschranke frei ist)	
FOTO 1 II Lichtschranke innen h = 100 mit Eingriff während Schließung (stoppt und kehrt die Bewegung um), wie auch während der Öffnung (stoppt und geht weiter, wenn die Lichtschranke frei ist)	
FOTO 2 Lichtschranke innen mit Auslösung während Öffnung (stoppt und kehrt die Bewegung um)	
FOTO 2 II Lichtschranke innen mit Auslösung während Öffnung (stoppt und kehrt die Bewegung um)	
FOTO 3 UNERLAUBTE KONFIGURATION	

4.4 - Ersteinschaltung und Prüfung der Anschlüsse

Nachdem die Steuerung mit Strom gespeist wurde, die folgenden Prüfungen vornehmen:

- Nach einigen Sekunden prüfen, ob die Led "Bluebus" (Abb. 15) regelmäßig mit 1 Blinken pro Sekunde blinkt;
- prüfen, ob die Leds der Lichtschranken (Abb. 15) – TX und RX – blinken. Die in dieser Phase abgegebene Blinkart ist unbedeutend;
- Prüfen, ob die am Ausgang FLASH angeschlossene Blinkleuchte ausgeschaltet ist.

Wenn all dies nicht erfolgt, muss der Steuerung die Stromspeisung genommen und die verschiedenen zuvor ausgeführten Stromanschlüsse kontrolliert werden.

4.5 - Erlernung der verbundenen Vorrichtungen

Nachdem die Ersteinschaltung ausgeführt wurde, müssen der Steuerung die an den Eingängen "Bluebus" und "Stop" angeschlossenen Vorrichtungen zur Erkennung gegeben werden.

ACHTUNG! – Die Erlernungsphase muss auch ausgeführt werden, wenn mit der Steuerung keine Vorrichtung verbunden ist.

Die Steuerung ist in der Lage, die einzelnen angeschlossenen Vorrichtungen dank der Erlernung zu erkennen und die möglichen vorliegenden Störungen zu erfassen. Hierzu ist es notwendig, die Erlernung der Vorrichtungen jedes Mal dann auszuführen, wenn eine dieser zugefügt oder entfernt wird.

Die Led "L1" und "L2" in der Steuerung (Abb. 15), blinken langsam, um anzuzeigen, dass es notwendig ist, die Erfassung auszuführen:

01. Die Tasten "◀" und "Set" (Abb. 15).

02. Die Tasten loslassen, wenn die Leds "L1" und "L2" sehr schnell zu blinken beginnen (nach ca. 3 Sekunden).

03. Einige Sekunden abwarten, bis die Steuerung die Erlernungsphase der Vorrichtungen abgeschlossen hat.

04. Am Ende dieser Phase muss die Led "Stop" eingeschaltet und die Leds "L1" und "L2" müssen ausgeschaltet sein (die Leds "L3" und "L4" könnten zu blinken beginnen).

4.6 - Erlernung der Positionen der mechanischen Endanschläge

Nach der Erlernung der angeschlossenen Vorrichtungen (Abschnitt 4.6) ist es notwendig, die Erlernung der Positionen der mechanischen Anschläge vorzunehmen (Höchstöffnung und -schließung). Dieses Verfahren kann auf 3 Arten vorgenommen werden: **Automatisch**, **manuell** und **gemischt**.

Im **Automatikmodus** führt die Steuerung die Erfassung der mechanischen Anschläge aus und kalkuliert die besten Versetzungen der Flügel (SA und SC, Abb. B).

Im **manuellen Modus** werden die sechs Positionen **Abb. B** jeweils programmiert, indem die Flügel auf die gewünschten Stellen versetzt werden. Die zu programmierende Position kann durch das Blinken einer der 6 Leds herausgestellt werden (L1...L6), siehe **Tabelle 4**.

Im **gemischten Modus** ist es möglich, das automatische Verfahren auszuführen und dann mit dem manuellen Verfahren eine oder mehrere Positionen zu ändern, außer der Positionen "0" und "1" (Abb. B) die mit den Positionen der mechanischen Stopps übereinstimmen.

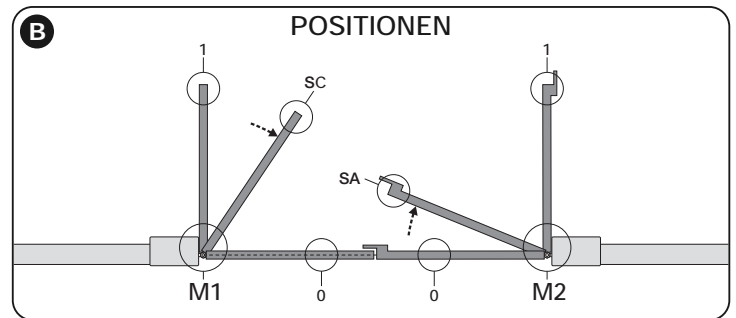


TABELLE 4

Position	Led	Beschreibung
Posizion 0 (motor 1)	L1	Position der maximalen Schließung: Wenn der Flügel 1 auf den mechanischen Schließanschlag stößt
Posizion 0 (motor 2)	L2	Position der maximalen Schließung: Wenn der Flügel 2 auf den mechanischen Schließanschlag stößt
Posizion SA (motor 2)	L3	Verschiebung bei Öffnung: wenn der Flügel 2 diese Position überschreitet, beginnt die Öffnung des Flügels 1
Posizion SC (motor 1)	L4	Verschiebung bei Schließung: Wenn der Flügel 1 unter dieser Position ist, beginnt das Schließen des Flügels 2
Posizion 1 (motor 1)	L5	Position der maximalen Schließung: Wenn der Flügel 1 auf den mechanischen Öffnungsanschlag stößt
Posizion 1 (motor 2)	L6	Position der maximalen Schließung: Wenn der Flügel 2 auf den mechanischen Öffnungsanschlag stößt

4.6.1 - Erlernung im Automatikmodus

01. Die Tasten "Set" und "▶" drücken und gleichzeitig gedrückt halten;

02. Die Tasten loslassen, wenn die Leds "L3" und "L4" sehr schnell zu blinken beginnen (nach ca. 3 Sekunden);

- 03.** Prüfen, ob die Automatisierung die folgenden Bewegungsfolgen ausführt:
- a - Langsames Schließen des Torantriebs M1 bis zum mechanischen Endanschlag
 - b - Langsames Schließen des Torantriebs M2 bis zum mechanischen Endanschlag
 - c - Langsames Öffnen des Torantriebs M2 und des Torantriebs M1 bis zum mechanischen Endanschlag
 - d - Schnelles vollständiges Schließen des Torantriebs M1 und M2

HINWEISE:

– Wenn die erste Bewegung einer oder beider Flügel keine Schließung ist, die Taste "◀" oder "▶" drücken, um die Erlernungsphase zu stoppen; dann die Position der Wahl Taste **JA** und der Brücke **JB** prüfen (siehe **Tabelle 2**) oder die Polarität des Anschlusses des Motors ohne Steuerung kontrollieren (HOT224).

– Wenn die erste Schließbewegung nicht durch M1 gesteuert wird, die Taste "◀" oder "▶" drücken, um die Erlernungsphase zu stoppen; dann die Position der Wahl Taste **JA** und der Brücke **JB**, prüfen siehe **Tabelle 2**;

04. Am Ende der Schließbewegung der 2 Motoren (d), schalten die Leds "L3" und "L4" ab und zeigen somit an, dass das Verfahren korrekt ausgeführt wurde.

Hinweise:

– Wenn während der automatischen Erlernungsphase der Eingriff der Lichtschranken oder einer am Eingang „Stopp“ angeschlossenen Vorrichtung erfolgt, wird das Verfahren unterbrochen und die Led L1 beginnt zu blinken. Um die Erlernung wieder zu aktivieren, muss das Verfahren ab Punkt **01** wieder aufgenommen werden;

– Das automatische Erlernungsverfahren kann erneut in jedem Moment vorgenommen werden, auch der Ausführung der Installation; zum Beispiel infolge der Änderung der Position der mechanischen Stopps.

4.6.2 - Manuelles Erlernungsverfahren

ACHTUNG! – Ab Schritt 03 gilt:

- Um von Led L1 auf L6 zu gehen, muss ein kurzes Drücken der Taste ◀ oder ▶ erfolgen (die Led blinkt und zeigt die aktuelle Position an);
- Um den Motor in eine oder die andere Richtung zu bewegen, muss ein ständiger Druck der Taste ◀ oder ▶ erfolgen.

01. Die Tasten **"Set"** und **"▶"** drücken und gleichzeitig gedrückt halten;
02. Die Tasten freigeben, wenn die **"L1"** zu blinken beginnt (nach zirka 1 Sekunde); **Anmerkung** – Nach 3 Sekunden und wenn die Tasten **"Set"** und **"▶"** nicht freigegeben werden, wird das Verfahren der **"automatischen Erlernung"** und nicht das manuelle aktiviert.
03. • **die Led L1 blinkt: Position 0 des M1**
Um den Motor 1 zu steuern und in die **Position 0 (Abb. B)** zu bringen: Die Taste **"◀"** oder **"▶"** drücken und gedrückt halten. Nach Erreichen der Position, die Taste freigeben, um die Bewegung zu stoppen. Um die Position zu speichern, die Taste **"Set"** mindestens 3 Sek. drücken und gedrückt halten, dann freigeben (nach 2 Sek. bleibt die L1 eingeschaltet und nach Freigabe der Taste "Set" beginnt die Led L2 zu blinken).
• **die Led L2 blinkt: Position 0 des M2**
Um den Motor 2 zu steuern und in die **Position 0 (Abb. B)** zu bringen: Die Taste **"◀"** oder **"▶"** drücken und gedrückt halten. Nach Erreichen der Position, die Taste freigeben, um die Bewegung zu stoppen. Um die Position zu speichern, die Taste **"Set"** mindestens 3 Sek. drücken und gedrückt halten, dann freigeben (nach 2 Sek. bleibt die L2 eingeschaltet und nach Freigabe der Taste "Set" beginnt die Led L3 zu blinken).
• **die Led L3 blinkt: Position SA des M2**
Um den Motor 2 zu steuern und in die **Position SA (Abb. B)** zu bringen: Die Taste **"◀"** oder **"▶"** drücken und gedrückt halten. Nach Erreichen der Position, die Taste freigeben, um die Bewegung zu stoppen. Um die Position zu speichern, die Taste **"Set"** mindestens 3 Sek. drücken und gedrückt halten, dann freigeben (nach 2 Sek. bleibt die L3 eingeschaltet und nach Freigabe der Taste "Set" beginnt die Led L4 zu blinken).
• **die Led L4 blinkt: Position SC des M1**
Um den Motor 1 zu steuern und in die **Position SC (Abb. B)** zu bringen: Die Taste **"◀"** oder **"▶"** drücken und gedrückt halten. Nach Erreichen der Position, die Taste freigeben, um die Bewegung zu stoppen. Um die Position zu speichern, die Taste **"Set"** mindestens 3 Sek. drücken und gedrückt halten, dann freigeben (nach 2 Sek. bleibt die L4 eingeschaltet und nach Freigabe der Taste "Set" beginnt die Led L5 zu blinken);
• **die Led L5 blinkt: Position 1 des M1**
Um den Motor 1 zu steuern und in die **Position 1 (Abb. B)** zu bringen: Die Taste **"◀"** oder **"▶"** drücken und gedrückt halten. Nach Erreichen der Position, die Taste freigeben, um die Bewegung zu stoppen. Um die Position zu speichern, die Taste **"Set"** mindestens 3 Sek. drücken und gedrückt halten, dann freigeben (nach 2 Sek. bleibt die L5 eingeschaltet und nach Freigabe der Taste "Set" beginnt die Led L6 zu blinken).
• **die Led L6 blinkt: Position 1 des M2**
Um den Motor 2 zu steuern und in die **Position 1 (Abb. B)** zu bringen: Die Taste **"◀"** oder **"▶"** drücken und gedrückt halten. Nach Erreichen der Position, die Taste freigeben, um die Bewegung zu stoppen. Um die Position zu speichern, die Taste **"Set"** mindestens 3 Sek. drücken und gedrückt halten, dann freigeben, um aus der Programmierung zu gehen (nach 2 Sek. bleibt die Led L6 bis zur Freigabe der Taste "Set" eingeschaltet).

Hinweis – Manuelle Programmierung einer Anlage mit nur einem Toröffner: Wie am Beginn dieses Abschnitts beschrieben, ab Schritt 01, vorgehen. **Im Schritt 03** wie folgt vorgehen:

- die Positionen der Leds **L1 (0 des M1) und L5 (1 des M1) wie folgt programmieren:** Die Taste **"Set"** mindestens 3 Sek. gedrückt halten, dann freigeben (nach 2 Sek. bleibt die Led eingeschaltet und nach Freigabe der Taste "Set" beginnt die folgende Led zu blinken).
- die Positionen der Leds **L3 (SA des M2) - L4 (SC des M1) nicht programmieren:** Um sich zwischen den Positionen zu bewegen, kurz die Taste **"◀"** oder **"▶"** drücken.

4.6.3 - Gemischtes Erlernungsverfahren

Dieses Verfahren nach der Ausführung der automatischen Erlernung ausführen:

01. Die Tasten **"Set"** und **"▶"** drücken und gleichzeitig gedrückt halten;
02. Die Tasten freigeben, wenn die **"L1"** zu blinken beginnt (nach zirka 1 Sekunde); **Anmerkung** – Nach 3 Sekunden und wenn die Tasten **"Set"** und **"▶"** nicht freigegeben werden, wird das Verfahren der **"automatischen Erlernung"** und nicht das manuelle aktiviert.
03. Durch ein kurzes Drücken der Taste **"◀"** oder **"▶"** die blinkende Led (L1... L6) auf die Position verschieben, die programmiert werden soll und für jede einzelne Position vorgehen, wie im Schritt 03 der manuellen Erlernung beschrieben wird (Abschnitt 4.7.2).
Diesen letzten Vorgang bei allen anderen Positionen wiederholen, die geändert werden sollen.
Um die manuelle Erlernung zu beenden, wiederholt die Taste **"▶"** drücken, bis die blinkende Led nach L6 gebracht wird.

4.7 - Überprüfung der Bewegung der Torflügel

Am Ende der Erfassungsphase empfehlen wir, die Steuerung einige Öffnungs- und Schließbewegungen ausführen zu lassen, um die korrekte Bewegung des Tors, die eventuellen Montage- und Einstellmängel zu prüfen.

01. Die Taste **"Open"** drücken und prüfen, ob während der Öffnungsbewegung die Beschleunigungsphase, die Phase mit konstanter Geschwindigkeit und die Verlangsamungsphase vorliegen. Die korrekte Verschiebung der Flügel während der Öffnung prüfen. Am Ende müssen die Flügel perfekt am mechanischen Öffnungsanschlag geöffnet sein;
02. Die Taste **"Close"** drücken und prüfen, ob während der Schließbewegung die Beschleunigungsphase, die Phase mit konstanter Geschwindigkeit und die Verlangsamungsphase vorliegen. Die korrekte Verschiebung der Flügel während der Schließung prüfen. Am Ende müssen die Flügel perfekt am mechanischen Schließendanschlag geschlossen sein.
03. Während den Bewegungen prüfen, ob die Blinkleuchte alle 0.5 Sekunden bei eingeschalteter Blinkleuchte blinkt und alle 0.5 Sekunden bei abgeschalteter Blinkleuchte ausführt.

5 ENDABNAHME UND INBETRIEBNAHME

Dies sind die wichtigsten Phasen bei der Ausführung der Automatisierung, sie gewährleisten die maximale Anlagensicherheit. Die Endabnahme kann auch zur regelmäßigen Kontrolle der Vorrichtungen, aus denen sich die Automatisierung zusammensetzt, benutzt werden. Die Endabnahme und die Inbetriebnahme der Automatisierung müssen durch qualifiziertes und erfahrenes Personal erfolgen, das die erforderlichen Tests zur Überprüfung der angewandten Lösungen zum Schutz gegen die vorhandenen Gefahren bestimmt und die Einhaltung der gesetzlichen Bestimmungen, Richtlinien und Regelungen prüft: dies sind im Besonderen alle Anforderungen der Norm EN 12445, die die Testverfahren für die Überprüfung der Automatisierungen für Tore festlegt.

Die zusätzlichen Vorrichtungen müssen sowohl bezüglich der Funktionstüchtigkeit als auch der Ansprechfähigkeit mit POP einer eigenen Endabnahme unterzogen werden; zu diesem Zweck in den Gebrauchsanweisungen der einzelnen Vorrichtungen nachlesen.

5.1 - Endabnahme

Die Reihenfolge der Vorgänge für die Endabnahme bezieht sich auf eine Standardanlage (**Abb. 3**):

- 1 Prüfen, ob alles im Kapitel "Hinweise für die Installation" angegebene genauestens eingehalten ist.
- 2 Die Getriebe von Hand entriegeln und an der Stelle am Flügel, die für das manuelle Manöver vorgesehen ist, prüfen, ob sich die Flügel mit einer Kraft unter 390 N öffnen und schließen lassen.
- 3 Die Getriebe blockieren (siehe Kapitel 3.6).
- 4 Mit den Bedieneinrichtungen (Sender, Bedientaste, Schlüsselwählschalter, usw.), die Öffnung, Schließung und das Anhalten des Tors prüfen, sich vergewissern, dass die Flügelbewegung vorschriftsmäßig abläuft. Einige Proben durchführen, im die Flügelbewegung zu beurteilen und eventuelle Montage- oder Einstellfehler oder starke Reibungen herauszufinden.
- 5 Die korrekte Funktion aller Sicherheitsvorrichtungen in der Anlage einzeln prüfen (Lichtschranken, Schaltleisten usw.). Wenn eine Vorrichtung eingreift, blinkt die Led "BLUEBUS" in der Steuerung zweimal schnell und bestätigt somit die erfolgte Anerkennung.
- 6 Wenn die Gefahrensituationen, die durch die Flügelbewegung entstanden sind, durch die Herabsetzung der Aufprallkraft beseitigt wurden, muss die Kraft entsprechend der Norm EN 12445 gemessen werden und ggf. wenn die Kontrolle der "Getriebekraft" als Hilfsmittel zur Herabsetzung der Aufprallkraft benutzt wird, versuchen die Einstellung mit den besten Ergebnissen herauszufinden.
- 7 An einem an der Automatisierung liegenden Bereich permanent eine Etikette anbringen, die beschreibt, wie der Torantrieb von Hand entriegelt werden kann.

5.2 - Inbetriebnahme

Die Inbetriebnahme kann erst dann erfolgen, wenn alle Phasen der Endabnahme mit einem positiven Ergebnis abgeschlossen wurden.

- 1 Die technischen Unterlagen der Automatisierung ausstellen: eine Gesamtzeichnung der Automatisierung, den Schaltplan der durchgeführten elektrischen Anschlüsse, die Analyse der vorhandenen Gefahren und die hierfür angewandten Lösungen und die Konformitätserklärung des Herstellers, die vom Installateur ausgefüllt wurde.
- 2 Am Tor ein Schild anbringen, auf dem mindestens die folgenden Daten zu finden sind: Art der Automatisierung, Name und Adresse des Herstellers (für die "Inbetriebnahme" verantwortlich), Seriennummer, Baujahr und "CE"-Kennzeichen.
- 3 Die Konformitätserklärung der Automatisierung ausfüllen und sie dem Besitzer des Tors aushändigen.
- 4 Das **"Gebrauchshandbuch"** der Automatisierung ausfüllen und es dem Besitzer des Tors aushändigen.
- 5 Den **"Wartungsplan"** der die Vorschriften zur Wartung aller Vorrichtungen der Automatisierung zusammenfasst, ausfüllen und dem Besitzer des Tors aushändigen.
- 6 Vor der Inbetriebnahme der Automatisierung muss der Besitzer über die noch vorhandenen Restgefahren informiert werden.

Für alle genannten Unterlagen stellt Nice über den eigenen technischen Kundendienst folgendes zur Verfügung: Gebrauchsanweisungen, Leitfäden und vorgedruckte Formulare. Siehe auch unter: www.nice-service.com.

6 PROGRAMMIERUNG DES STEUERGERÄTES

In der Steuerung befinden sich 3 Tasten **OPEN** (◀), **STOP (SET)**, **CLOSE** (▶) die verwendet werden können, um die Steuerung während den Prüfungen zu steuern und um die Programmierung der verfügbaren Funktionen auszuführen. Die verfügbaren programmierbaren Funktionen befinden sich auf 2 Niveaus und ihr Betriebszustand wird durch 8 Leds (**L1...L8**) in der Steuerung angezeigt (eingeschaltete Led = aktive Funktion; abgeschaltete Led = Funktion nicht aktiv).

Die Programmierungstasten verwenden:

OPEN (◀): – Taste zur Steuerung der Toröffnung; – Taste zur Auswahl in der Programmierungsphase.

STOP/SET: Taste, um eine Bewegung anzuhalten; falls länger als 5 Sekunden gedrückt, ermöglicht sie den Zugriff auf die Programmierung.

CLOSE (▶): – Taste zur Steuerung der Torschließung; – Taste zur Auswahl in der Programmierungsphase.

6.1 - Programmierung erstes Niveau (ON-OFF)






Alle Funktionen des ersten Niveaus sind werkseitig auf "OFF" programmiert und können in jedem Moment geändert werden. Um die verschiedenen Funktionen zu prüfen, siehe **Tabelle 5**. Programmierverfahren: siehe **Tabelle 6**.

WICHTIG – Das Programmierverfahren weist eine Höchstzeit von 10 Sekunden zwischen dem Druck einer Taste und dem nächsten auf. Nach dieser Zeitspanne endet das Verfahren automatisch und speichert die bisher ausgeführten Änderungen.

TABELLE 5 - Funktionen erstes Niveau

LED	Funktion	Beschreibung
L1	Automatische Schließung	<u>AKTIVE Funktion:</u> Nach einer Öffnungsbewegung erfolgt eine Pause (gleich der programmierten Pausenzeit), danach startet die Steuerung automatisch eine Schließbewegung. Der werkseitig eingestellte Pausenwert beträgt 30 Sek. <u>NICHT AKTIVE Funktion:</u> Die Funktion ist "halbautomatisch".
L2	Schließen nach Durchfahrt der Lichtschranke	<u>AKTIVE Funktion:</u> Wenn die Lichtschranken während der Öffnungs- oder Schließbewegung eingreifen, wird die Pausenzeit auf 5 Sek. reduziert, unabhängig von der programmierten "Pausenzeit". Bei deaktivierter "automatischer Schließung" und wenn während der Schließung die Lichtschranken eingreifen, wird die "automatische Schließung" bei programmierter "Pausenzeit" aktiviert.
L3	Schließt immer	<u>AKTIVE Funktion:</u> Im Falle eines auch kurzen Stromausfalls erfasst die Steuerung nach der erneuten Einschaltung des Stroms das geöffnete Tor und startet automatisch eine Schließbewegung, die einer 5 Sek. andauernden Vorwarnung folgt. <u>NICHT AKTIVE Funktion:</u> Nach Rückkehr des Stroms bleibt das Tor, wo es ist.
L4	Stand by alles	<u>AKTIVE Funktion:</u> 1 Minute nach Beendigung der Bewegung schaltet die Steuerung den Ausgang BlueBUS (angeschlossene Vorrichtungen), den Bus T4 (angeschlossene Vorrichtungen), die Ausgänge flash, ELS und einige interne Kreise sowie alle LEDs mit Ausnahme der BlueBUS-LED aus, die langsamer blinken wird. Wenn die Steuerung einen Befehl erhält, geht sie wieder auf den Normalbetrieb über (mit einer kurzen Verzögerung). Diese Funktion hat das Ziel, den Verbrauch zu reduzieren; ein wichtiger Aspekt mit Batterie- oder Kollektorspeisung.
L5	Elektroschloss / zusätzliches Licht	<u>AKTIVE Funktion:</u> Der Ausgang "Elektroschloss" schaltet seine Funktion auf "zusätzliche Beleuchtung" um. <u>NICHT AKTIVE Funktion:</u> Der Ausgang funktioniert als Elektroschloss.
L6	Vorwarnen	<u>AKTIVE Funktion:</u> fügt eine Pause von 3 Sekunden zwischen dem Einschalten der Blinkleuchte und dem Beginn des Manövers hinzu, um vorzeitig eine Gefahrensituation anzukündigen. <u>NICHT AKTIVE Funktion:</u> Die Meldung der Blinkleuchte stimmt zeitlich mit dem Beginn des Manövers überein.
L7	„Schrittbetrieb“ wird zu „Öffnen“ und „Open“ wird zu „Schließen“	<u>AKTIVE Funktion:</u> Die beiden Eingänge „Schrittbetrieb“ und „Open“ der Steuerung haben die Funktion des „Öffnens“ und „Schließens“. <u>NICHT AKTIVE Funktion:</u> Die beiden Eingänge „Schrittbetrieb“ und „Open“ der Steuerung haben die Funktion des „Schrittbetriebs“ und „Teilöffnung 1“.
L8	„Flash“ oder „Kontrolllampe Tor Auf“	<u>AKTIVE Funktion:</u> Der Ausgang "Flash" der Steuerung schaltet seine Funktion auf "Meldeleuchte Tor auf" um. <u>NICHT AKTIVE Funktion:</u> Der Ausgang „FLASH“ der Steuerung führt die Funktion "Blinklicht" aus.

TABELLE 6 - Programmierung erstes Niveau

01. Mindestens 3 Sekunden lang auf die Taste "Set" drücken und gedrückt halten;	
02. Die Taste freigeben, wenn die Led "L1" zu blinken beginnt;	
03. Auf Taste "◀" oder "▶" drücken, um das Blinken auf die LED zu verschieben, welche die zu ändernde Funktion darstellt;	
04. Auf Taste "Set" drücken, um den Zustand der Funktion zu ändern: (kurzes Blinken = OFF - langes Blinken = ON);	
05. 10 Sekunden warten (Höchstzeit), um aus der Programmierung zu treten.	

Anmerkung – Zur Programmierung anderer Funktionen auf "ON" oder "OFF" müssen während der Ausführung des Verfahrens Punkt 03 und 04 während dieses Vorgangs wiederholt werden.

6.2 - Zweites Niveau: Programmierung (einstellbare Parameter)

Alle Parameter des zweiten Niveaus sind werkseitig programmiert, wie **grau** in der **Tabelle 7** angegeben ist, und können jederzeit geändert werden, indem wie in **Tabelle 8** beschrieben vorgegangen wird.

Die Parameter sind auf einer Wertskala von 1 bis 8 einstellbar, zur Prüfung des

jeder Led entsprechenden Werts siehe **Tabelle 10**. **WICHTIG** – Das Programmierverfahren weist eine Höchstzeit von 10 Sekunden zwischen dem Druck einer Taste und dem Druck der nächsten auf. Nach dieser Zeitspanne endet das Verfahren automatisch und speichert die bisher ausgeführten Änderungen.




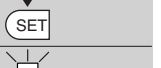




TABELLE 7 - Funktionen zweites Niveau

Eingangsled	Parameter	Led (Niveau)	Wert	Beschreibung
L1	Pausezeit	L1	5 Sekunden	Stellt die Pausezeit ein bzw. die Zeit vor dem automatischen Schließen. Wirkt nur, falls die Schließung aktiviert ist.
		L2	15 Sekunden	
		L3	30 Sekunden	
		L4	45 Sekunden	
		L5	60 Sekunden	
		L6	80 Sekunden	
		L7	120 Sekunden	
		L8	180 Sekunden	
L2	Schrittbetrieb	L1	Öffnet - Stopp – Schließt - Stopp	Stellt die Sequenz der Steuerbefehle ein, die dem Eingang "Schrittbetrieb", "Öffnen", "Schließen" oder dem Funkbefehl zugeteilt sind. <i>Anmerkung – Bei der Einstellung der L4, L5, L7 und L8, wird auch das Verhalten der Steuerungen "Öffnen" und "Schließen" geändert.</i>
		L2	Öffnet - Stopp – Schließt - Öffnet	
		L3	Öffnet - Schließt – Öffnet - Schließt	
		L4	Wohnblockbetrieb: • Bei der Öffnungsbewegung haben der Schrittbetrieb und "Öffnen" keine Auswirkungen; die Steuerung "Schließen" ruft dagegen die Umkehrung der Bewegung hervor, d.h. das Schließen der Flügel. • Bei der Schließbewegung rufen der Schrittbetrieb und "Öffnen" keine Bewegungsumkehrung hervor; die Steuerung "Schließen" hat dagegen keine Auswirkung.	
		L5	Wohnblockbetrieb 2: • Bei der Öffnungsbewegung rufen der Schrittbetrieb und "Öffnen" keine Auswirkungen hervor; die Steuerung "Schließen" ruft dagegen die Umkehrung der Bewegung hervor, d.h. das Schließen der Flügel. Wenn die übersendete Steuerung länger als 2 Sekunden anhält, wird ein "Stopp" ausgeführt. • Bei der Schließbewegung rufen der Schrittbetrieb und "öffnen" keine Bewegungsumkehrung hervor; die Steuerung "Schließen" hat dagegen keine Auswirkung. Wenn die übersendete Steuerung länger als 2 Sekunden anhält, wird ein "Stopp" ausgeführt.	
		L6	Schrittbetrieb 2 (weniger als 2 bewirkt eine teilweise Öffnung).	
		L7	Todmannfunktion: Die Bewegung wird nur ausgeführt, wenn die übersendete Steuerung verbleibt; wenn die Steuerung unterbrochen wird, stoppt die Bewegung.	
		L8	Öffnung "halbautomatisch", Schließung mit "Todmannfunktion".	
L3	Motorengeschwindigkeit	L1	Sehr langsam	Stellt die Motorengeschwindigkeit während des normalen Laufs ein.
		L2	Langsam	
		L3	durchschnittlich	
		L4	Schnell	
		L5	Sehr schnell	
		L6	Äußerst schnell	
		L7	Öffnet schnell, schließt langsam	
		L8	Öffnet äußerst schnell, schließt durchschnittlich	
L4	Entladung der Motoren nach dem Schließen	L1	Keine Entladung	Regelt die Dauer der "kurzen Umkehrung" beider Motoren nach der Ausführung der Schließbewegung, um den restlichen Endschub zu reduzieren.
		L2	Stufe 1 - Minimale Entladung (zirka 100 ms)	
		L3	Stufe 2 - ...	
		L4	Stufe 3 - ...	
		L5	Stufe 4 - ...	
		L6	Stufe 5 - ...	
		L7	Stufe 6 - ...	
		L8	Stufe 7 - Maximale Entladung (zirka 1 s)	
L5	Motorkraft	L1	Stufe 1 - Mindestkraft	Regelt die Kraft beider Motoren.
		L2	Stufe 2 - ...	
		L3	Stufe 3 - ...	
		L4	Stufe 4 - ...	
		L5	Stufe 5 - ...	
		L6	Stufe 6 - ...	
		L7	Stufe 7 - ...	
		L8	Stufe 8 - Höchstkraft	
L6	Fußgängeröffnung oder Teilöffnung	L1	Fußgänger 1 (Öffnung des Flügels M2 zu 1/4 der Gesamtöffnung)	Regelt die Öffnungsweise, die der Steuerung "Teilöffnung 1" zugewiesen ist. In den Stufen L5, L6, L7, L8: unter Mindestöffnung versteht man die geringere Öffnung zwischen M1 und M2: wenn M1 zum Beispiel zu 90° und M2 zu 110° öffnet, beträgt die Mindestöffnung 90°
		L2	Fußgänger 2 (Öffnung des Flügels M2 zu 1/2 der Gesamtöffnung)	
		L3	Fußgänger 3 (Öffnung des Flügels M2 zu 3/4 der Gesamtöffnung)	
		L4	Fußgänger 4 (Gesamtöffnung des Flügels 2)	
		L5	Teilöffnung 1 (Öffnung der beiden Flügel zu 1/4 der Mindestöffnung)	
		L6	Teilöffnung 2 (Öffnung der beiden Flügel zu 1/2 der Mindestöffnung)	
		L7	Teilöffnung 3 (Öffnung der beiden Flügel zu 3/4 der Mindestöffnung)	
		L8	Teilöffnung 4 (Öffnung der beiden Flügel gleich der Mindestöffnung)	
L7	Wartungsanzeige	L1	500	Regelt die Bewegungsanzahl Wenn diese Nummer überschritten wird, zeigt die Steuerung die Anforderung zur Wartung der Automatisierung an, siehe Abschnitt 6.3.2. - Wartungsanzeige.
		L2	1000	
		L3	1500	
		L4	2500	
		L5	5000	
		L6	10000	
		L7	15000	
		L8	20000	

L8	Liste der Störungen	L1	Ergebnis 1. Bewegung (die letzte)	Ermöglicht die Prüfung der erfolgten Störungsart während der Ausführung der letzten 8 Bewegungen. Siehe TABELLE 12 - Archiv der aufgetretenen Störungen.
		L2	Ergebnis 2. Bewegung	
		L3	Ergebnis 3. Bewegung	
		L4	Ergebnis 4. Bewegung	
		L5	Ergebnis 5. Bewegung	
		L6	Ergebnis 6. Bewegung	
		L7	Ergebnis 7. Bewegung	
		L8	Ergebnis 8. Bewegung	

Anmerkung – Die werkseitig eingestellten Werte sind in grau angegeben.

TABELLE 8 - Programmierungsverfahren zweites Niveau

01. Mindestens 3 Sekunden lang auf die Taste "Set" drücken und gedrückt halten;	
02. Die Taste freigeben, wenn die Led "L1" zu blinken beginnt;	
03. Auf Taste "◀" oder "▶" drücken, um das Blinken auf die "Eingangs-LED" zu verschieben, die den zu ändernden Parameter darstellt;	
04. Die Taste "Set" drücken und gedrückt halten, bis Punkt 06 abgeschlossen ist;	
05. Ca. 3 Sekunden warten, danach wird die LED aufleuchten, die das aktuelle Niveau des zu ändernden Parameters darstellt;	
06. Auf Taste "◀" oder "▶" drücken, um die LED zu verschieben, die den Wert des Parameters darstellt;	
07. Die Taste "Set" loslassen;	
08. 10 Sekunden warten (Höchstzeit), um aus der Programmierung zu treten.	

Anmerkung – Zur Programmierung mehrerer Parameter müssen während der Ausführung des Verfahrens Punkt 03 und 07 während dieses Vorgangs wiederholt werden.

6.3 - Spezielle Funktionen

6.3.1 - Funktion: "Bewegt sich auf jeden Fall"

Diese Funktion ermöglicht die Inbetriebsetzung der Automatisierung, auch wenn eine Sicherheitsvorrichtung nicht korrekt funktioniert oder außer Betrieb ist. Es ist möglich, die Automatisierung im Modus "Todmannfunktion", zu steuern, indem wie folgt vorgegangen wird:

- 01.** Mit einem Sender oder einem Schlüsseltaster eine Steuerung übersenden, um das Tor zu betätigen. Wenn alles korrekt funktioniert, bewegt sich das Tor regulär, ansonsten wie folgt vorgehen;
- 02.** die Schaltung innerhalb von 3 Sekunden erneut betätigen und weiter betätigen;
- 03.** Nach zirka 2 Sekunden führt das Tor die gewünschte Bewegung im Modus "Todmannfunktion"; aus; d.h. das Tor bewegt sich so lange, wie die Schaltung betätigt wird.

Wenn die Sicherheitsvorrichtungen nicht funktionieren, gibt die Anzeige einige Blinksignale ab, um das erfasste Problem anzuzeigen (siehe Kapitel 6 - Tabelle 10).

6.3.2 - Funktion: "Wartungsanzeige"

Diese Funktion zeigt an, dass die Wartung der Automatisierung auszuführen ist. Die Wartungsmeldung erfolgt über eine mit dem Ausgang „flash“ oder „els“ verbundene Lampe, wenn dieser Ausgang als "Wartungsmeldeleuchte" programmiert ist. Die verschiedenen Anzeigen der Meldeleuchte sind in Tabelle 9 aufgeführt.

Um den Grenzwert der Wartungsbewegungen zu programmieren, siehe Tabelle 7.

6.4 - Löschen des Speichers

Um das Archiv der Steuerung zu löschen und alle Werkseinstellungen erneut zu erhalten, wie folgt vorgehen:

Die Tasten "◀" und "▶" drücken und gedrückt halten, bis die Leds L1 und L2 zu blinken beginnen.

TABELLE 9 - Meldung der "Wartungsmeldeleuchte"

Bewegungsanzahl	Meldung
Unter 80% des Grenzwertes	2 Sekunden lang eingeschaltete Meldeleuchte, zu Beginn der Öffnungsbewegung.
Zwischen 81% und 100% des Grenzwertes	Meldeleuchte, die über die ganze Dauer der Bewegung blinkt.
Über 100% des Grenzwertes	Meldeleuchte, die ständig blinkt.

7 WAS TUN, WENN... (Leitfaden zum Lösen von Problemen)

Einige Vorrichtungen sind vorgerüstet, um Meldungen abzugeben, mit denen die Erkennung des Betriebszustands oder eventueller Störungen möglich ist. Wenn am Ausgang FLASH in der Steuerung eine Blinkleuchte angeschlossen wird, blinkt diese während einer Bewegung mit Abständen von 1 Sekunde.

Wenn Störungen auftreten, blinkt die Blinkleuchte mit kürzeren Abständen, diese werden zweimal wiederholt und sind von einer 1 Sekunden langen Pause getrennt. In der **Tabelle 10** sind die Ursache und die Lösung für jede Anzeigart beschrieben.

Auch die Leds in der Steuerung geben Meldungen ab; in de **Tabelle 11** sind die Ursache und die Lösung für jede Anzeigart beschrieben.

Es ist möglich, die eventuell aufgetretenen Störungen während der Ausführung der letzten 8 Bewegungen zu kontrollieren, Bezugnahme: **Tabelle 12**.


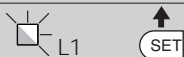


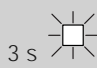


TABELLE 10 - Meldungen der Blinkleuchte (FLASH)

Blinken	Problem	Lösung
1-Mal kurzes Blinken 1 Sekunde Pause 1-Mal kurzes Blinken	Fehler im System Bluebus	Die Überprüfung der an BlueBUS angeschlossenen Vorrichtungen, die zu Beginn der Bewegung ausgeführt wird, entspricht nicht den während der Erlernung gespeicherten Vorrichtungen. Es ist möglich, dass getrennte oder gestörte Vorrichtungen vorliegen, somit prüfen und ersetzen. Wenn Änderungen vorgenommen wurden, muss die Erlernung der Vorrichtungen erneut ausgeführt werden (siehe Abschnitt 4.6).
2-Mal kurzes Blinken 1 Sekunde Pause 2-Mal Schnellblinken	Auslösung einer Lichtschranke	Eine oder mehrere Lichtschranken geben keine Zustimmung zur Bewegung oder haben während des Laufs eine Bewegungsumkehrung hervorgerufen; prüfen, ob Hindernisse vorliegen.
3-Mal kurzes Blinken 1 Sekunde Pause 3-Mal kurzes Blinken	Eingriff der Funktion	"Hinderniserfassung" durch Kraftbegrenzer Während der Bewegung haben die Motoren eine höhere Kraft angetroffen; die Ursache prüfen und eventuell das Kraftniveau der Motoren erhöhen
4-Mal kurzes Blinken 1 Sekunde Pause 4-Mal kurzes Blinken	Auslösung des Eingangs STOPP	Am Anfang oder während der Bewegung erfolgte eine Auslösung der mit dem Eingang STOP verbundenen Vorrichtungen; Ursache überprüfen.
5-Mal kurzes Blinken 1 Sekunde Pause 5-Mal kurzes Blinken	Fehler in den internen Parametern der Steuerung	Mindestens 30 Sekunden warten und den Befehl erneut erteilen und eventuell die Speisung ausschalten; sollte dieser Status bleiben, könnte ein schwerer Defekt vorhanden sein, und die elektronische Steuerkarte muss ausgetauscht werden.
6-Mal kurzes Blinken 1 Sekunde Pause 6-Mal kurzes Blinken	Die Höchstgrenze an aufeinander folgenden Bewegungen pro Stunde wurde überschritten.	Ein paar Minuten warten, bis der Bewegungsbegrenzer wieder unter die Höchstgrenze zurückkehrt.
7-Mal kurzes Blinken 1 Sekunde Pause 7-Mal kurzes Blinken	Störung in den Stromkreisen	Mindestens 30 Sekunden warten und den Befehl erneut erteilen und eventuell die Speisung ausschalten; sollte dieser Status bleiben, könnte ein schwerer Defekt vorhanden sein, und die elektronische Steuerkarte muss ausgetauscht werden.
8-Mal kurzes Blinken 1 Sekunde Pause 8-Mal kurzes Blinken	Es wurde bereits ein Befehl erteilt, so dass andere Befehle nicht ausgeführt werden können.	Die Art des vorhandenen Befehls überprüfen. Es könnte sich zum Beispiel um einen Befehl durch eine Uhr am Eingang "Öffnet" handeln.
9-Mal kurzes Blinken 1 Sekunde Pause 9-Mal kurzes Blinken	Die Automatisierung wurde durch eine Steuerung "Sperrung Automatisierung" blockiert.	Die Automatisierung lösen, indem eine Steuerung "Lösen Automatisierung" übersendet wird.

TABELLE 11 - Meldungen der Leds in der Steuerung (Abb. 14)

Led	Problem	Lösung
BLUEBUS Immer aus	Störung	Prüfen, ob die Steuerung gespeist ist; prüfen, ob die Sicherungen eingegriffen haben. In diesem Fall die Ursache des Defekts überprüfen, dann die Sicherungen mit anderen mit demselben Stromwert auswechseln
Immer ein	Schwere Störung	Es liegt ein schwerwiegendes Problem vor: Versuchen, die Steuerung von der Stromspeisung zu trennen und wenn der Zustand verbleibt, muss die elektronische Karte ersetzt werden
1 Mal Blinken pro Sekunde	Alle regulär	Regulärer Funktion der Steuerung
2 Mal kurzes Blinken	Statusvariation der Eingänge	Regulär, wenn eine Änderung in einem der Eingänge erfolgt (PP, STOP, OPEN, CLOSE); Eingriff der Lichtschranken oder Übertragung einer Steuerung mit einem Sender
Mehrmaliges Blinken mit Pause von 1 Sekunde	Verschiedenes	Bezugnahme: Tabelle 10
STOP Immer aus	Die am Eingang STOPP angeschlossenen Vorrichtungen greifen ein	Die Vorrichtungen des Eingangs STOPP prüfen
Immer ein	Alle regulär	Eingang STOPP aktiv
P.P. Immer aus	Alle regulär	Eingang P.P. nicht aktiv
Immer ein	Eingriff des Eingangs PP	Regulär, wenn die am Eingang PP angeschlossene Vorrichtung aktiv ist
OPEN Immer aus	Alle regulär	Eingang OPEN nicht aktiv
Immer ein	Eingriff des Eingangs OPEN	Regulär, wenn die am Eingang OPEN angeschlossene Vorrichtung aktiv ist
L1 - L2 blinkt langsam	Änderung der Anzahl der mit Bluebus verbundenen Vorrichtungen oder Erlernung Vorrichtung nicht ausgeführt	Es ist notwendig, die Erlernung der Vorrichtungen auszuführen (siehe Abschn. 4.5)
L3 - L4 blinkt langsam	Änderung der Erlernung der Motorenarten oder der Positionen der mechanischen Anschläge	Es ist notwendig, die Erlernung auszuführen (siehe Abschn. 4.6)
L5 blinkt langsam	Langsames Blinken	Dem Ausgang ELS wurde eine andere Funktion als „Elektroschloss“ und „zusätzliches Licht“ zugewiesen
L7 blinkt langsam	Langsames Blinken	Den Eingängen P.P. und OPEN wurde eine andere Funktionskombination als „Schrittbetrieb“ und „Teilöffnung 1“ oder „öffnen“ und „schließen“ zugewiesen
L8 blinkt langsam	Langsames Blinken	Dem Ausgang FLASH wurde eine andere Funktion als „Blinklicht“ und „Meldeleuchte Tor geöffnet“ zugewiesen

TABELLE 12 - Archiv der aufgetretenen Störungen

01. Mindestens 3 Sekunden lang auf die Taste "Set" drücken und gedrückt halten;	
02. Die Taste loslassen, wenn die LED "L1" zu blinken beginnt;	
03. Die Taste "◀" oder "▶" drücken, um das Blinken auf die LED L8, die "Eingangs-LED" des Parameters "Alarmhistorik" zu verschieben;	
04. Die Taste "Set" drücken und gedrückt halten, bis Punkt 06 abgeschlossen ist;	
05. Zirka 3 Sekunden abwarten, bis die Leds aufleuchten, die die Niveaus der Bewegungen darstellen, die Störungen aufgewiesen haben Die Led L1 zeigt das Ergebnis der letzten Bewegung auf, während die Led L8 die achte Bewegung angibt. Wenn die Led eingeschaltet ist, bedeutet das, dass Störungen aufgetreten sind, wenn die Led dagegen ausgeschaltet ist, ist alles regulär;	
06. Auf die Tasten "◀" und "▶" drücken, um die gewünschte Bewegung auszuwählen: die entsprechende LED wird so oft blinken, wie die Blinkleuchte gewöhnlich nach einer Störung blinkt;	
07. Die Taste "Set" loslassen.	

DE

8 WEITERE AUSKÜNFTE

Für HOPP ist folgendes Sonderzubehör vorgesehen: Empfänger der Gruppe SMXI, OXI, Oview-Programmierer, Solarenergie-Kollektor Solemyo und Pufferbatterie Mod. PS124.

8.1 - Anschluss eines Funkempfängers

Die Steuerung weist einen Stecker zum Anschluss der Funkempfänger auf (Sonderzubehör), die zur Gruppe SMXI, OXI gehören. Zum Anschluss eines

Empfängers muss die Steuerung von der Stromspeisung getrennt werden und wie in **Abb. 16** gezeigt vorgegangen werden. In **Tabelle 13** und **Tabelle 14** sind die Befehle aufgeführt, die den Ausgängen in der Steuerung entsprechen.

8.2 - Anschluss und Installation der Pufferbatterie mod. PS124

ACHTUNG! - Der Stromanschluss der Batterie an das Steuergerät darf erst nach Abschluss aller Installations - und Programmierungsarbeiten erfolgen, da die Batterie eine Notstromversorgung bildet.

Zur Installation und zum Anschluss der Batterie, den in **Abb. 17** gezeigten Montagephasen folgen.

TABELLE 13

SMXI / SMXIS oder OXI / OXIFM / OXIT / OXITFM im Modus I oder Modus II

Ausgang Nr. 1	Befehl "P.P." (Schrittbetrieb)
Ausgang Nr. 2	Befehl "Teilöffnung 1"
Ausgang Nr. 3	Befehl "Öffnet"
Ausgang Nr. 4	Befehl "Schließt"

TABELLE 14 - OXI / OXIFM / OXIT / OXITFM im erweiterten Modus II

NR.	Steuerung	Beschreibung
1	Schrittbetrieb	Befehl "P.P." (Schrittbetrieb)
2	Teilöffnung 1	Steuerung "Teilöffnung 1"
3	Öffnen	Befehl "Öffnet"
4	Schließt	Befehl "Schließt"
5	Stopp	Stoppt die Bewegung
6	Schrittbetrieb Wohnblock	Steuerung im Wohnblockmodus
7	Schrittbetrieb Hohe Priorität	Steuert auch bei blockierter Automatisierung oder aktive Steuerungen
8	Teilöffnung 2	Öffnet teilweise (Öffnung des Flügels M2, gleich 1/2 der Gesamtöffnung)
9	Teilöffnung 3	Öffnet teilweise (Öffnung der beiden Flügel, gleich 1/2 der Gesamtöffnung)
10	Öffnen und sperren Automatisierung	Ruft eine Öffnungsbewegung hervor und am Ende dieser die Blockierung der Automatisierung; die Steuerung akzeptiert keine andere Steuerung, außer "Schrittbetrieb hohe Priorität", "Lösen" Automatisierung oder (nur aus Oview) der Steuerungen: "Löst und schließt" und "Löst und öffnet"
11	Schließt und Blockiert die Automatisierung	Ruft eine Schließbewegung hervor und am Ende dieser die Blockierung der Automatisierung; die Steuerung akzeptiert keine andere Steuerung, außer "Schrittbetrieb hohe Priorität", "Lösen" Automatisierung oder (nur aus Oview) der Steuerungen: "Löst und schließt" und "Löst und öffnet"
12	Blockiert die Automatisierung	Ruft einen Bewegungsstopp hervor und am Ende dieser die Blockierung der Automatisierung; die Steuerung akzeptiert keine andere Steuerung, außer "Schrittbetrieb hohe Priorität", "Lösen" Automatisierung oder (nur aus Oview) der Steuerungen: "Löst und schließt" und "Löst und öffnet"
13	Löst die Automatisierung	Ruft die Blockierung der Automatisierung und die Wiederherstellung des normalen Betriebs hervor
14	On Timer zusätzliche Beleuchtung	Der Ausgang zusätzliche Beleuchtung mit zeitgeregelter Abschaltung wird erleuchtet
15	On-Off zusätzliche Beleuchtung	Der Ausgang zusätzliche Beleuchtung im Schrittbetrieb wird erleuchtet und ausgeschaltet

8.3 - Anschluss des Programmierers Oview

Am Steuergerät befindet sich die Steckverbindung BusT4, an der die Programmierungseinheit Oview angeschlossen werden kann. Sie ermöglicht eine vollständige und schnelle Regelung der Installation, Wartung und Diagnose der gesamten Automatisierung. Für den Zugriff auf die Steckverbindung muss wie in **Abb. 18** gezeigt, vorgegangen werden und der Stecker in der entsprechenden Aufnahme angeschlossen werden. Der Oview kann gleichzeitig an mehrere Steuergeräte gleichzeitig angeschlossen werden (bis zu 5 ohne besondere Vorsichtsmaßnahmen, bis zu 60 unter Befolgung entsprechenden Sicherheitshinweise). Er kann auch während des normalen Betriebs der Automatisierung am Steuergerät angeschlossen bleiben. In diesem Fall kann er benutzt werden, um die Bedienungen mit dem spezifischen "Benutzer"-Menü direkt an das Steuergerät zu senden. Auch die Firmware kann aktualisiert werden. Wenn im Steuergerät ein Funkempfänger der Gruppe OXI vorhanden ist, kann man mit dem Oview auf die Parameter der im Empfänger gespeicherten Sender zugreifen. Für weitere Erklärungen die entsprechende Gebrauchsanweisung und das Handbuch des "Opera system book" - Systems zu Rate ziehen.

8.4 - Anschluss des Systems an die Solarenergie Solemyo

ACHTUNG! – Wenn die Automatisierung durch das System "Solemyo" gespeist wird, darf diese **AUF KEINEN FALL** gleichzeitig mit Strom gespeist werden.

Für weitere Auskünfte über das System Solemyo wird auf die entsprechende Gebrauchsanleitung verwiesen.

Den Anschluss des Systems Solemyo wie in **Abb. 19** gezeigt, ausführen.

8.5 - Anschluss des externen Entriegelungssystems Kio (Abb. 20)

ACHTUNG! – Kio kann an den Motorantrieb mit oder ohne Steuerung angeschlossen werden, wenn aber eine der beiden Flügel den anderen überschreitet (die zuerst startet).

01. Den Plastikdeckel entfernen (1);
02. Den Bolzen (3) in die Bohrung der Entriegelungswelle (2) setzen;
03. Das Stahlkabel (7) zuerst in die Schraube (4), dann in die zugehörige Bohrung (5) und dann in die Bohrung des Bolzens einsetzen (3);
04. Die Feder (6) einhaken mit den beiden Enden, wie in der Abbildung gezeigt wird, einhaken.
05. Das Kabel durch die entsprechende Schraube befestigen (4).
06. Das andere Ende des Kabels durch die Öffnung am unteren Bereichen des Torantriebs führen;
07. Den Plastikdeckel wieder platzieren (1);
08. Nun das Kabel mit Kio verbinden, wofür man sich auf die jeweilige Gebrauchsanleitung bezieht.

9 WARTUNG DES PRODUKTS

Um das Sicherheitsniveau immer beizubehalten und die maximale Haltbarkeit zu gewährleisten, ist eine regelmäßige Wartung notwendig.

Bei der Wartung müssen die Sicherheitsvorschriften dieser Gebrauchsanweisung und die diesbezüglich geltenden gesetzlichen Bestimmungen beachtet werden.

Zum Feststellen von Verlagerungen der Flügel, Abnutzung oder Schäden an Kabeln und Federn ist die Automatisierung häufigen Überprüfungen zu unterziehen.

Wichtig – Während der Wartung oder Reinigung der Automatisierung das Steuergerät von der Stromversorgung abtrennen und falls vorhanden, von den Batterien.

Für die anderen Vorrichtungen der Anlage, den Angaben der betreffenden Wartungspläne folgen.

Für die Getriebe HO7124, HO7224 muss maximal innerhalb 6 Monaten oder nach 20.000 Manövern seit der letzten Instandsetzung eine programmierte Wartung vorgenommen werden.

Für die Wartung wie folgt vorgehen:

01. Jede Versorgungsquelle, auch eventuell vorhandene Pufferbatterien abtrennen;
02. Den Abnutzungszustand der Befestigungsbügel und Dübel besonders gründlich auf Erosion und Oxidation überprüfen; die Teile, die nicht ausrei-

chend sicher sind, austauschen;

03. Zur Überprüfung des ordnungsgemäßen Betriebs, einen Entriegelungstest durchführen, siehe Absatz 3.6;
04. Die elektrischen Versorgungsquellen wieder anschließen und alle im Kapitel 5 - Endabnahme vorgesehenen Tests und Überprüfungen vornehmen.

ENTSORGUNG DES PRODUKTS

Dieses Produkt ist integrierender Teil der Automatisierung und muss mit ihr zusammen entsorgt werden.

Auch die Entsorgung, wenn das Produkt nicht mehr gebrauchsfähig ist, muss genau wie die Installation von qualifiziertem Personal durchgeführt werden.

Dieses Produkt besteht aus unterschiedlichen Materialien: einige sind wiederverwertbar, andere müssen entsorgt werden. Informieren Sie sich über das Recycling- oder Entsorgungssystem, das von den geltenden Vorschriften in Ihrem Land vorgesehen ist.

Achtung! – Einige Teile des Produkts können umweltverschmutzende oder gefährliche Substanzen enthalten, deren Freisetzung eine schädigenden Wirkung auf die Umwelt und die Gesundheit des Menschen haben könnten.

Wie das seitliche Symbol anzeigt, darf dieses Produkt nicht mit dem Hausmüll beseitigt werden. Daher müssen zur Entsorgung die Komponenten getrennt werden, wie von den landeseigenen gesetzlichen Regelungen vorgesehen ist oder man übergibt das Produkt beim Neukauf eines gleichwertigen Produkt dem Händler.



Achtung! – die örtlichen gesetzlichen Regelungen können bei einer gesetz-

swidrigen Entsorgung diese Produkts schwere Strafen vorsehen.

Entsorgung der Pufferbatterie (falls vorhanden)

Achtung! – Die leere Batterie enthält umweltverschmutzende Substanzen und darf nicht in den Hausmüll geworfen werden.

Sie muss nach der Mülltrennmethode entsorgt werden, die von den geltenden Bestimmungen Ihres Landes vorgesehen ist.

TECHNISCHE MERKMALE DES PRODUKTS

HINWEISE: • Alle angegebenen technischen Merkmale beziehen sich auf eine Temperatur von 20°C (± 5°C). • Nice S.p.a. behält sich das Recht vor, jederzeit als nötig betrachtete Änderungen am Produkt vorzunehmen, wobei Funktionalitäten und Einsatzzweck beibehalten werden.

	HO7124	HO7224
Typik	Elektromechanischer Torantrieb für Automatisierungen von Toren und automatischen Türen mit Gleichstrommotor, Planetenuntersetzungsgetriebe, mechanische Entriegelung. Mit eingebauter Steuerung und Funkempfänger OXI	
Max. Drehmoment	250 Nm	
Nenn Drehmoment	100 Nm	
Leergeschwindigkeit	0,17 rad/s (1,6 rpm)	
Geschwindigkeit bei Nenn Drehmoment	0,13 rad/s (1,2 rpm)	
Maximale Zyklenhäufigkeit *	35 Zyklen/Stunde	
Max. Dauerbetriebszeit **	10 Minuten	
Einsatzlimits	Das Produkt kann für Tore mit einem Flügelgewicht bis 250 kg und Längen bis 1,5 m verwendet werden und mit einem Gewicht von 160 kg für Längen bis 2,4 m	
Lebensdauer	zwischen ca. 80.000 und 250.000 Zyklen je nach den in Tabelle 15 und Graphik 3 angegebenen Bedingungen	
Speisung	230 V~ (120 V~ bei Ausführung HO7124/V1) ±10%; 50/60 Hz	24 V== (±25%)
Notfallspeisung	Vorrüstung für Pufferbatterien PS124	
Speisung mit Sonnenkollektoren	für Kit SYKCE vorgerüstet	
Aufgenommene Höchstleistung bei Nenn Drehmoment	170 W	50 W
Spitzenleistung	280 W	100 W
Aufgenommener Nennstrom	0,8 A (1,6 A bei Ausführung HO7124/V1)	2 A
Aufgenommener Höchststrom	1,3 A (2,6 A bei Ausführung HO7124/V1)	4 A (bei einer Höchstzeit von 1 s)
Aufgenommene Leistung in "Standby-Aller bei Speisung mit PS124 oder Bausatz SYKCE (einschließlich Empfänger OXI)	unter 100 mW	
Ausgang Blinkleuchte ***	eine LUCYB (Glühbirne 12 V==, 21 W)	
Ausgang Elektroschloss ***	ein Elektroschloss 12 V~ max 15 VA	
Ausgang BLUEBUS	ein Ausgang mit einer Höchstbelastung von 15 Bluebus-Einheiten (höchstens 6 Lichtschrankenpaare MOFB oder MOFOB + 2 Lichtschrankenpaare MOFB oder MOFOB, die als Öffnungsvorrichtungen adressiert werden + max. 4 Steuervorrichtungen MOMB oder MOTB)	
Eingang STOP	Für gewöhnlich geschlossene, gewöhnlich geöffnete Kontakte oder Kontakte mit konstantem 8,2 kΩ Widerstand; die Wahl der Kontaktart wird in Selbsterlernung getroffen und eine Variation im Vergleich zum gespeicherten Status ruft den Steuerbefehl "STOP" hervor	
Eingang PP	Für gewöhnlich geöffnete Kontakte (das Schließen des Kontaktes verursacht den Schritt-Steuerbefehl)	
Eingang OPEN	Für gewöhnlich geöffnete Kontakte (das Schließen des Kontaktes verursacht den Steuerbefehl Teilöffnung 1)	
Funkkupplung	SM-Stecker für Empfänger der Gruppe SMXI, OXI und OXIFM	
Eingang FUNKANTENNE	50 Ω für Kabel Typ RG58 oder ähnliche	
Programmierbare Funktionen	8 ON-OFF-Funktionen (Tabelle 5) und 8 einstellbare Funktionen (Tabelle 6)	
Selbsterlernungsfunktionen	<ul style="list-style-type: none"> • Selbsterlernung der am BlueBUS Ausgang angeschlossenen Vorrichtungen. • Selbsterlernung der an der Klemme „STOP“ angeschlossenen Vorrichtung (Kontakt NO, NC oder Widerstand 8,2 kΩ). • Selbsterlernung des Laufs der Flügel und automatische Kalkulierung der Verlangsamungspunkte und Teilöffnung • Selbsterlernung des Betriebs mit einem oder zwei Motoren 	
Montage	Vertikal, mit einer diesbezüglichen Befestigungsplatte	
Betriebstemperatur	-20°C bis +50°C (bei niedrigen Temperaturen verringert sich die Effizienz des Torantriebs)	
Benutzung in besonders säure- und salzhaltiger oder explosionsgefährdeter Umgebung	NEIN	
Schutzgrad	IP 54 (bei unversehrttem Behälter)	
Abmessungen (mm)	167 x 254 x 315 h	
Gewicht (kg)	9	6,5

[*] Häufigkeit der Zyklen bei Höchsttemperatur: 25 Zyklen/Stunde

[**] Höchstzeit Dauerzyklus bei Höchsttemperatur: 8 Minuten

[***] Die Ausgänge Blinkleuchte und Elektroschloss können mit anderen Funktionen programmiert werden (siehe "TABELLE 5 – Funktionen 1. Stufe oder durch den Oview-Programmierer, siehe Kapitel 8.3). Die elektrischen Eigenschaften der Ausgänge passen sich der gewählten Funktion an: • Funktion BLINKLEUCHTE: Lampe 12 V==, max. 21 W; • Funktion Elektroschloss: 12 V~ max. 15 VA; • andere Ausgänge (alle Arten): 1 Lampe oder Relais 24 V== (-30 und +50%), max. 4 W.

PRODUKTLEBENSDAUER

Die Lebensdauer ist die durchschnittliche Betriebsdauer des Produkts. Der Wert der Lebensdauer wird stark durch den Index der durch die Automatisierung ausgeführten Bewegungen beeinflusst: d.h. die Summe aller Faktoren, die zum Verschleiß des Produkts beitragen (siehe Tabelle 15).

Gehen Sie wie folgend vor, um die wahrscheinliche Dauer Ihrer Automatisierung zu bestimmen:

01. Der Verschleißindex wird durch Summierung der Prozentwerte der Punkte der Tabelle 15 kalkuliert;

02. In der Graphik 3 wird ab dem soeben gefundenen Wert eine vertikale Linie gezogen, bis die Kurve überkreuzt wird; von diesem Punkt aus wird eine waagrechte Linie gezogen, bis die Linie der "Bewegungszyklen" überkreuzt wird. Der bestimmte Wert ist die geschätzte Lebensdauer Ihres Produkts.

Die Schätzung der Lebensdauer wird aufgrund der Projektkalkulationen und der Ergebnisse der an Prototypen ausgeführten Tests getätigt. Da es sich um eine Schätzung handelt, stellt sie keine Garantie für die effektive Dauer des Produkts dar.

Beispiel einer Lebensdauerkalkulation eines Torantriebs HOPP (Bezugnahme Tabelle 15 und Graphik 3):

- Länge des Flügels = 1,3 m (Verschleißindex: 15%);
- Gewicht des Torflügels: 180 Kg (Verschleißindex: 30%);
- Blinder Flügel (Verschleißindex: 15%);
- Gesamtverschleißindex = 60%;
- Geschätzte Lebensdauer = 100.000 Bewegungszyklen

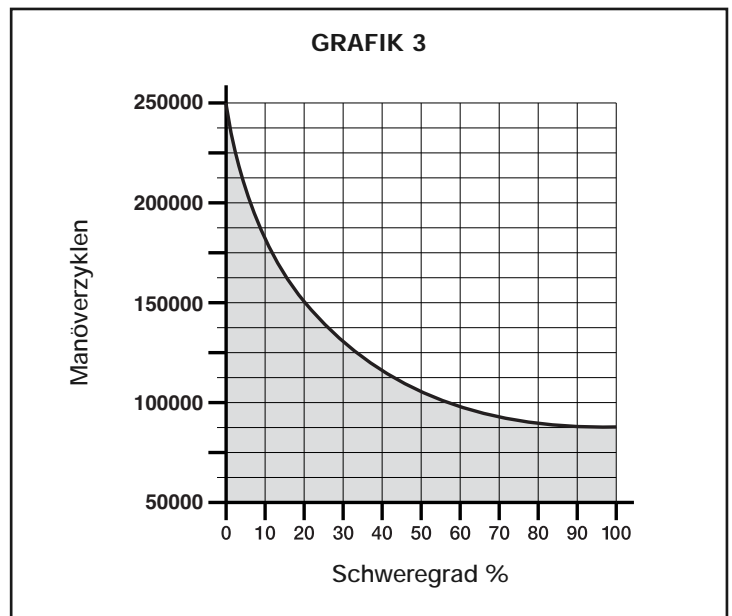


TABELLE 15		
		Verschleißindex
Länge des Torflügels	< 1,0 m	-
	1,0 - 1,5 m	15%
	1,5 - 2,4 m	20%
Gewicht des Torflügels	< 100 kg	-
	100 - 150 kg	20%
	150 - 250 kg	30%
Umgebungstemperatur über 40°C oder unter 0°C oder Feuchtigkeit über 80%		20%
Blinder Flügel		15%
Installation in windigen Gegenden		15%
<i>Anmerkung - Die Daten beziehen sich auf ein nivelliertes Sektionaltor in perfektem Zustand</i>		

EG-KONFORMITÄTSERKLÄRUNG und Integrierungserklärung einer „unvollständige Maschine“

Erklärung in Übereinstimmung mit den folgenden Richtlinien: 2004/108/EG (EMV); 2006/42/EG (MD) Anlage II, Teil B

Hinweis - Der Inhalt dieser Konformitätserklärung entspricht dem in den offiziellen Unterlagen angegebenen, die sich im Firmensitz der Nice S.p.a. befinden, und insbesondere der vor dem Druck dieser Anleitung verfügbaren letzten Revision. Der hier vorhandene Text wurde aus Verlagsgründen angepasst. Eine Kopie der ursprünglichen Erklärung jedes Produkts kann bei Nice S.p.a.(TV) I angefordert werden.

Erklärungsnummer: 376/HOPP

Revision: 0

Sprache: DE

Herstellername: NICE s.p.a.
Adresse: Via Pezza Alta N° 13, 31046, Rustignè, di Oderzo (TV) Italien
Autorisierte Person zur Ausstellung der technischen Dokumentation: Herr Oscar Marchetto
Adresse: Via Pezza Alta N° 13, 31046, Rustignè, di Oderzo (TV) Italien
Produkttyp: Elektromechanischer Antrieb "HOPP" mit eingebauter Steuerung
Modell / Typ: HO7124, HO7224
Zubehör: SMXI, OXI, PS124, Oview

Der Unterzeichnende Luigi Paro erklärt als Geschäftsführer unter seiner Haftung, dass das oben genannte Produkt den Vorschriften der folgenden Richtlinien entspricht:

- 2004/108/EWG RICHTLINIE DES EUROPÄISCHEN PARLAMENTS UND RATS vom 15. Dezember 2004 bezüglich der Annäherung der Gesetzgebungen der Mitgliedsstaaten, was die elektromagnetische Verträglichkeit betrifft und die Richtlinie 89/336/EWG aufhebt und zwar gemäß den folgenden übereinstimmenden Normen:
EN 61000-6-2:2005; EN 61000-6-3:2007

Außerdem entspricht das Produkt der folgenden Richtlinie, gemäß den Anforderungen hinsichtlich „Fastmaschinen“:

- RICHTLINIE 2006/42/EG DES EUROPAPARLAMENTS UND DES RATES vom 17. Mai 2006, was Maschinen betrifft und die Richtlinie 95/16/EG (Überarbeitung) ändert.
 - Wir erklären, dass die zugehörige technische Dokumentation in Übereinstimmung mit Anlage VII B der Richtlinie 2006/42/EG ausgestellt wurde und die folgenden grundsätzlichen Anforderungen eingehalten wurden:
1.1- 1.1.2- 1.1.3- 1.2.1-1.2.6- 1.5.1-1.5.2- 1.5.5- 1.5.6- 1.5.7- 1.5.8- 1.5.10- 1.5.11
 - Der Hersteller verpflichtet sich, den nationalen Behörden infolge einer begründeten Anforderung die zugehörigen Informationen über die „Fastmaschine“ zukommen zu lassen, wobei unsere intellektuellen Eigentumsrechte unberührt bleiben.
 - Falls die „Fastmaschine“ in einem europäischen Land in Betrieb genommen wird, in dem die offizielle Sprache nicht der Sprache dieser Erklärung entspricht, hat der Importeur die Pflicht, dieser Erklärung die zugehörige Übersetzung zuzufügen.
 - Wir weisen darauf hin, dass die „Fastmaschine“ nicht in Betrieb genommen werden darf, solange die abschließende Maschine, in die sie integriert wird, nicht ebenso als konform erklärt wurde, ebenso gemäß den Anweisungen der Richtlinie 2006/42/EG.

Außerdem entspricht das Produkt den folgenden Normen:

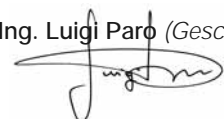
EN 60335-1:2002 + A1:2004 + A11:2004 + A12:2006 + A2:2006 + A13:2008
EN 60335-2-103:2003

Das Produkt ist außerdem, nur was die anwendbaren Teile betrifft, mit folgenden Normen konform:

EN 13241-1:2003, EN 12445:2002, EN 12453:2002, EN 12978:2003

Oderzo, 24.01.11

Ing. Luigi Paro (Geschäftsführer)



Spis treści

1 - INSTRUKCJE I OGÓLNE ZALECENIA	1
1.1 - Zalecenia dotyczące bezpieczeństwa	1
1.2 - Zalecenia dotyczące montażu	1
1.3 - Zalecenia dotyczące obsługi	1
2 - OPIS URZĄDZENIA I JEGO PRZEZNACZENIE	1
3 - MONTAŻ	2
3.1 - Weryfikacje wstępne do wykonania przed montażem	2
3.2 - Ograniczenia zastosowania	2
3.3 - Czynności przygotowujące do montażu	2
3.4 - Instalacja motoreduktora mod. HO7124 - HO7224	2
3.5 - Regulacja mechanicznych ograniczników położenia	3
3.6 - Blokowanie i odblokowywanie motoreduktora w trybie ręcznym	3
4 - PODŁĄCZENIA ELEKTRYCZNE	3
4.1 - Połączenia elektryczne motoreduktorów	3
4.2 - Podłączanie innych urządzeń	3
4.3 - Adresowanie podłączonych urządzeń	4
4.4 - Pierwsze włączenie i weryfikacja połączeń	4
4.5 - Programowanie podłączonych urządzeń	4
4.6 - Rozpoznawanie pozycji ograniczników mechanicznych	4
4.7 - Zapamiętanie pozycji mech. ograniczników położenia	5
5 - ODBIÓR I WPROWADZENIE DO UŻYTKU	5
5.1 - Odbiór techniczny	5
5.2 - Wprowadzenie do użytku	5
6 - PROGRAMOWANIE CENTRALI STERUJĄCEJ	6
6.1 - Programowanie na pierwszym poziomie (ON-OFF)	6
6.2 - Programowanie na drugim poziomie (parametry regulowane)	6
6.3 - Funkcje szczególne	8
6.4 - Kasowanie pamięci	8
7 - CO ZROBIĆ JEŚLI... (przewodnik do rozwiązywania problemów) ...	8
8 - ROZSZERZENIE WIADOMOŚCI	10
8.1 - Podłączanie odbiornika radiowego	10
8.2 - Podłączanie i montaż akumulatora awaryjnego mod. PS124	10
8.3 - Podłączanie programatora Oview	11
8.4 - Podłączanie systemu zasilania energią słoneczną Solemyo	11
8.5 - Podłączanie zewnętrznego systemu odblokowującego Kio	11
9 - KONSERWACJA URZĄDZENIA	11
UTYLIZACJA URZĄDZENIA	11
PARAMETRY TECHNICZNE URZĄDZENIA	12
Trwałość urządzenia	13
DEKLARACJA ZGODNOŚCI CE	14
ZAŁĄCZNIK	I
Instrukcje i zalecenia przeznaczone dla użytkownika	III
Zdjęcia	IX

1.1 - Zalecenia dotyczące bezpieczeństwa

- **UWAGA!** – Niniejsza instrukcja zawiera wskazówki i zalecenia ważne dla bezpieczeństwa. Nieprawidłowa instalacja urządzenia może doprowadzić do poważnych obrażeń. Przed rozpoczęciem pracy należy dokładnie przeczytać całą instrukcję obsługi. W przypadku jakichkolwiek wątpliwości, należy zaprzestać instalacji i zwrócić się o wyjaśnienie do Serwisu Technicznego Nice.
- **UWAGA!** – Ważne instrukcje: starannie przechowywać tę instrukcję, w celu ułatwienia ewentualnych operacji dotyczących konserwacji i utylizacji urządzenia.
- **UWAGA!** – Zgodnie z obowiązującymi przepisami europejskimi, wykonanie automatycznych drzwi garażowych lub bram garażowych musi być zgodne z normami przewidzianymi przez Dyrektywę 2006/42/WE (ex 98/37/WE) (Dyrektywa Maszynowa) i w szczególności, normami EN 12445; EN 12453; EN 12635 i EN 13241-1, które pozwalają na zadeklarowanie zgodności automatu. W związku z tym, wszelkie operacje instalacji, podłączania, odbioru technicznego czy konserwacji urządzenia muszą być wykonane wyłącznie przez wykwalifikowanego i kompetentnego technika!

1.2 - Zalecenia dotyczące montażu

- Przed rozpoczęciem montażu należy sprawdzić, czy niniejsze urządzenie jest odpowiednie do zamierzonego zastosowania (zob. "Zakres zastosowania" paragraf 3.2 oraz "Charakterystyka techniczna produktu"). Jeśli urządzenie nie jest odpowiednie, NIE rozpoczynać montażu.
 - Zawartość niniejszej instrukcji obsługi dotyczy typowej instalacji urządzenia, pokazanej na rys. 3.
 - Wszelkie czynności montażowe i konserwacyjne urządzenia muszą być wykonywane po odłączeniu automatyki od zasilania elektrycznego. Jeśli urządzenie wyłączające nie jest widoczne z miejsca, w którym umieszczono siłownik, przez rozpoczęciem pracy należy zawiesić na urządzeniu wyłączającym tablicę z napisem "UWAGA! KONSERWACJA W TOKU".
 - Centrala musi zostać podłączona do linii zasilania elektrycznego wyposażonej w uziemienie zabezpieczające.
 - Podczas montażu należy delikatnie obchodzić się z urządzeniem, chroniąc je przed zgnieceniem, uderzeniem, upadkiem lub kontaktem z jakiegokolwiek rodzaju płynami. Nie umieszczaj urządzenia w pobliżu źródeł ciepła i nie wystawiaj go na działanie otwartego ognia. Opisane powyżej sytuacje mogą doprowadzić do uszkodzenia urządzenia, być przyczyną nieprawidłowego działania lub spowodować zagrożenia. Jeśli doszłoby do którejś z powyżej opisanych sytuacji, należy natychmiast przerwać montaż i zwrócić się o pomoc do Serwisu Technicznego Nice.
 - Nie wolno modyfikować żadnej części urządzenia. Operacje tego rodzaju mogą jedynie spowodować niewłaściwe działanie. Producent uchyla się od wszelkiej odpowiedzialności za szkody spowodowane przez zmodyfikowany produkt.
 - Jeśli brama lub drzwi garażowe do zautomatyzowania posiadają również drzwi dla pieszych należy przygotować instalację do podłączenia systemu kontrolnego, który uniemożliwi działanie siłownika, gdy drzwi dla pieszych będą otwarte.
 - Opakowanie urządzenia musi być zlikwidowane, zgodnie z odpowiednimi przepisami obowiązującymi na danym terytorium.
- ## 1.3 - Zalecenia dotyczące obsługi
- Produkt nie może być użytkowany przez osoby (w tym dzieci) o ograniczeniach fizycznych lub umysłowych, a także przez tych, którzy nie posiadają stosownego doświadczenia lub wiedzy, o ile nie mają możliwości skorzystania z nadzoru lub instrukcji dotyczących użytkowania produktu, za pośrednictwem osób odpowiedzialnych za ich bezpieczeństwo.
 - Dzieci znajdujące się w pobliżu automatyki powinny znajdować się pod nadzorem, aby mieć pewność, iż nie będą bawić się produktem.
 - Nie pozwalaj dzieciom bawić się ze stałymi urządzeniami sterującymi. Urządzenia sterujące przenośne (zdalne) należy przechowywać z dala od dzieci.

2 OPIS URZĄDZENIA I JEGO PRZEZNACZENIE

Urządzenia, z których składa się ten produkt są przeznaczone do automatyzacji wjazdowych lub garażowych bram skrzydłowych przeznaczonych do użytku prywatnego i przemysłowego. **UWAGA!** – Każde inne zastosowanie odmienne od opisanego oraz zastosowanie w warunkach środowiskowych odmiennych od podanych w tej instrukcji obsługi jest niewłaściwe i zabronione!

Główna część urządzenia składa się z jednego lub 2 motoreduktorów elektromechanicznych, (w zależności od ilości automatyzowanych skrzydeł bramy), każdy z nich jest wyposażony w silnik na prąd stały oraz w reduktor z kołami zębatymi o zębach prostych. Jeden z motoreduktorów (mod. HO7124) jest wyposażony w centralę sterującą, która zarządza jej funkcjonowaniem. Centrala składa się z karty z odbiornikiem radiowym, która odbiera polecenia wysyłane z nadajnika. Jest przystosowana do podłączania różnych urządzeń należących do Systemu Opera, Blubus oraz do systemu zasilania energią słoneczną Solemyo, patrz rozdział 8 – Rozszerzenie wiadomości. Może pomieścić akumulator awaryjny (mod. PS124, urządzenie opcjonalne), który w przypadku przerwy w dopływie energii elektrycznej (black-out elektryczny), gwarantuje wykonanie kilku manewrów przez automatykę w ciągu następnego kilku godzin.

W przypadku przerwy w dopływie energii elektrycznej jest możliwe ręczne przestawianie skrzydeł bramy, po odblokowaniu motoreduktora przy pomocy specjalnego klucza, patrz paragraf 3.6.

Pozostałe akcesoria do dyspozycji są odbiornikami kompatybilnymi, zawierającymi złącze "SM" (SMX1, OX1, itp.), patrz rozdział 8 - Rozszerzenie wiadomości.

3.1 - Weryfikacje wstępne przy montażu

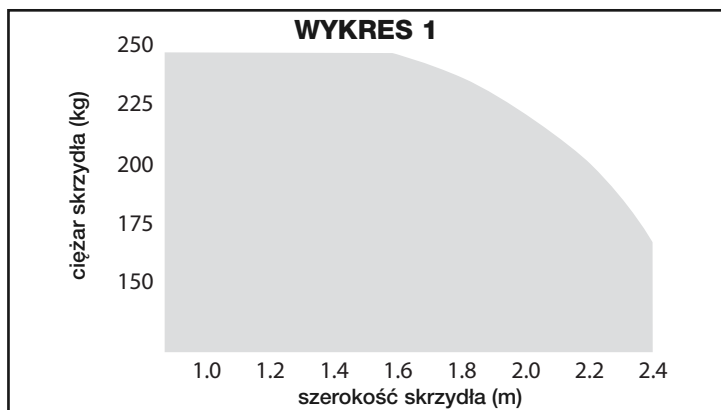
Przed przystąpieniem do montażu urządzenia należy sprawdzić stan jego komponentów, upewnić się, czy wybrany model jest odpowiedni do zastosowania i czy warunki otoczenia, w którym przeprowadzona zostanie instalacja, są sprzyjające:

- Sprawdzić, czy cały materiał do użytkowania jest w idealnym stanie, odpowiedni do użycia.
- Sprawdzić, czy ograniczniki mechaniczne (nie zawarte w zestawie), występują w układzie zarówno przy zamykaniu jak i otwieraniu.
- Sprawdzić, czy struktura mechaniczna bramy jest odpowiednia do zautomatyzowania i czy jest zgodna z normami obowiązującymi na danym terytorium (ewentualnie odwołać się do danych znajdujących się na etykietce bramy). Niniejsze urządzenie nie może zautomatyzować bramy, która nie jest skuteczna i bezpieczna; ponadto, nie jest w stanie rozwiązać problemów spowodowanych błędną instalacją bramy lub z powodu jej nieprawidłowej konserwacji.
- Sprawdzić, czy warunki robocze urządzeń są kompatybilne z zakresem zastosowania podanym w instrukcji (zob. paragraf 3.2).
- Ręcznie poruszyć skrzydłami bramy w obie strony i upewnić się, czy na każdym etapie ruch przebiega przy jednakowym tarciu (nie powinno być punktów o zwiększonym tarciu, wymagających zwiększonego lub zmniejszonego wysiłku).
- Ręcznie doprowadzić skrzydła bramy do dowolnej pozycji; pozostawić je w wybranym położeniu i sprawdzić, czy pozostaną w bezruchu.
- Sprawdzić, czy strefa zamocowania siłownika jest kompatybilna z wymiarami bramy (rys. 1).
- Należy upewnić się, czy w otoczeniu, w którym ma zostać zainstalowany siłownik jest wystarczająco dużo miejsca, by jego ramię mogło wykonać wymagany obrót (rys. 2).
- Należy upewnić się, czy w pobliżu siłownika jest wystarczająco dużo miejsca do wykonania manewru ręcznego odblokowania siłownika.
- Upewnić się, czy powierzchnie wybrane do zainstalowania poszczególnych urządzeń są solidne i czy mogą zagwarantować stabilne mocowanie.
- Upewnić się, czy każde instalowane urządzenie jest umieszczone w pozycji zabezpieczonej przed przypadkowymi uderzeniami.
- Sprawdzić, czy wszystkie typy kabli elektrycznych przeznaczonych do użycia, są zgodne z rodzajami podanymi w Tabeli 1.

3.2 - Ograniczenia zastosowania

Przed zamontowaniem motoreduktora przeprowadź następujące kontrole:

- sprawdź, czy zautomatyzowane skrzydło bramy wchodzi w zakres wartości podanych na Wykresie 1;
- **maksymalna szerokość skrzydła: 2,4 m** (o wadze maksymalnie do 160 kg);
- **maksymalny ciężar skrzydła: 250 kg** (o szerokości do maksymalnie 1,5 m);
- sprawdź wartości graniczne podane w tabeli "Parametry techniczne urządzenia";
- **minimalna szerokość miejsca przeznaczonego do montażu motoreduktora: 170 mm;**
- Uchwyt mocujący ramię musi zostać zamocowany w solidnej części skrzydła (na przykład rama), aby zagwarantować trwałe i pewne jego przymocowanie.



3.3 - Czynności przygotowujące do montażu

Na rys. 3 przedstawiona jest przykładowa instalacja automatyki, wykonana z zastosowaniem komponentów firmy Nice (niektóre komponenty mogą nie znajdować się w zestawie):

- a - Siłownik z centralą mod. HO7124
- b - Siłownik bez centrali mod. HO7224
- c - Sygnalizator migający MLBT
- d - Dwie fotokomórki mod. MOFB
- e - Klawiatura cyfrowa (mod. MOTB) – Czytnik kart zbliżeniowych (mod. MOMB) – Przełącznik kluczowy (mod. MOSE)
- f - Dwa słupki do fotokomórek
- g - Ograniczniki mechaniczne zamykania
- h - Zamek elektryczny

Te komponenty są rozmieszczone zgodnie z typowym i powszechnie stosowanym schematem. Nawiązując do rys. 3, ustal przybliżone położenie, w którym zostanie zainstalowane każde urządzenie przewidziane w tej instalacji. **Ważne** – Przed przeprowadzeniem montażu przygotuj odpowiednie przewody elektryczne, niezbędne dla Twojej instalacji, nawiązując do rys. 4 oraz do "Tabeli 1 - Parametry techniczne przewodów elektrycznych".

Uwaga – Podczas układania osłon umożliwiających przeprowadzenie przewodów elektrycznych, uwzględnij, że w wyniku możliwego gromadzenia się w nich wody, może powstawać zjawisko kondensatu wewnątrz centrali, co może być przyczyną uszkodzenia obwodów elektronicznych.

3.4 - Instalacja motoreduktora mod. HO7124 - HO7224

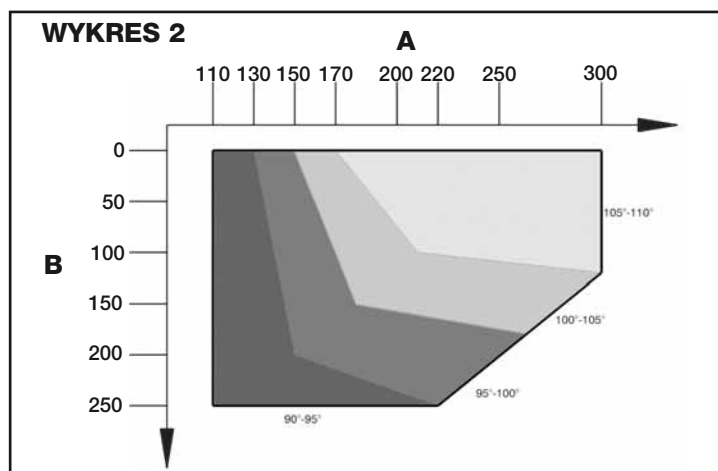
ZALECENIA

- Nieprawidłowo wykonana instalacja może być przyczyną poważnych zagrożeń dla osoby wykonującej operacje oraz dla tych osób, które będą używać urządzenie.
- Przed rozpoczęciem montażu automatyki przeprowadź kontrole wstępne opisane w paragrafie 3.1 i 3.2.

01. Zmierz wartość "B" (rys. 5);

02. Przesuń skrzydło bramy do pozycji maksymalnego żądanego otwarcia i sprawdź, czy wartość zmierzonego kąta wchodzi w zakres wartości podanych na Wykresie 2;

03. Na Wykresie 2, wykorzystując wartość "B" i dany kąt rozwarcia wyznacz wartość "A" (rys. 6). *Przykład: jeżeli "B" wynosi 100 mm a dany kąt jest równy 100°, wartość "A" wynosi około 180 mm.*



04. Przymocuj uchwyt mocujący motoreduktor do ściany, w pozycji poziomej, jak pokazano na rys. 7: wykorzystaj odpowiednie kołki, śruby i podkładki (nie znajdując się w wyposażeniu);

05. Przymocuj motoreduktor do uprzednio przymocowanego uchwyty, jak pokazano na rys. 7-3: wykorzystaj śrubę M4,8x13 znajdującą się w wyposażeniu;

06. Teraz przymocuj krzywe ramię do ramienia prostego, wykorzystując sworznie oraz pierścienie zabezpieczający typu benzing (rys. 7-4); następnie przymocuj uchwyt mocujący skrzydło bramy do krzywego ramienia, wykorzystując sworznie oraz pierścienie zabezpieczający typu benzing (rys. 7-4);

07. Odblokuj motoreduktor w trybie ręcznym (rys. 7-6), patrz paragraf 3.6;

08. Teraz wyznacz strefę mocowania uchwyty na skrzydło bramy maksymalnie wydłużając ramiona motoreduktora (rys. 7-7): **ważne jest, aby uchwyt**

TABELA 1 - Parametry techniczne przewodów elektrycznych (rys. 4)

Podłączenie	Rodzaj przewodu	Maksymalna dozwolona
A: Przewód ZASILANIA CENTRALI STERUJĄCEJ	1 przewód 3 x 1,5 mm ²	30 m (uwaga 1)
B: Przewód ELEKTROZAMKA	1 przewód 2 x 1 mm ²	6 m
C: Przewód URZĄDZEŃ BLUEBUS	1 przewód 2 x 0,5 mm ²	20 m (uwaga 2)
D: Przewód PRZEŁĄCZNIKA KLUCZOWEGO	2 przewody 2 x 0,5 mm ² (uwaga 3)	50 m
E: Przewód ZASILANIA MOTOREDUKTORA	1 przewód 3 x 1,5 mm ²	10 m
F: Przewód LAMPY OSTRZEGAWCZEJ z anteną	1 przewód 2 x 1 mm ²	20 m
	1 przewód ekranowany typu RG58	20 m (zalecany jest przewód krótszy niż 5 m)

Uwaga 1 – Jeśli długość przewodu zasilania przekracza 30 m, należy zastosować przewód o większym przekroju (3 x 2,5 mm²) oraz dodatkowe uziemienie ochronne w pobliżu automatyki.

Uwaga 2 – Jeśli długość przewodu Bluebus przekracza 20 m, do maksimum 40 m, należy wykorzystać przewód o większym przekroju (2 x 1 mm²).

Uwaga 3 – Te dwa przewody mogą zostać zastąpione jednym przewodem 4 x 0,5 mm².

UWAGA! – Zastosowane przewody muszą być przeznaczone dla rodzaju otoczenia, w którym odbywa się ich montaż.

został zamontowany w miejscu znajdującym się najdalej w stosunku do pozycji motoreduktora;

09. Wywierć otwory w skrzydle bramy i przykręć uchwyt wykorzystując odpowiednie śruby (nie znajdują się w wyposażeniu) (rys. 7-8, 7-9 i 7-10);
10. Przed zablokowaniem motoreduktora wyreguluj mechaniczny ogranicznik otwarcia (paragraf 3.5).

3.5 - Regulacja mechanicznych ograniczników położenia

01. Ustaw ręcznie skrzydło bramy w położeniu maksymalnego otwarcia;
02. Obróć plastikową tarczę, znajdującą się w dolnej części motoreduktora, doprowadzając szczelinę pod ramię, do położenia pokazanego na rys. 8;
03. Włóż ogranicznik położenia do pierwszego możliwego położenia: spróbuj włożyć go jak pokazano na rys. 8 (kierunek otwierania);
04. Obróć tarczę w taki sposób, aby zapobiec wypadnięciu ogranicznika, doprowadzając szczelinę do położenia pokazanego na rys. 8; wykonaj bardziej dokładną regulację z pomocą śruby regulacyjnej (rys. 8);
05. Jeżeli w instalacji brak ogranicznika zamykania zamontowanego na ziemi, należy powtórzyć procedurę od punktu 01, również podczas regulacji ogranicznika zamykania;
06. Teraz dokręć do końca nakrętkę mocującą tarczę (rys. 8), aby zapobiec przypadkowemu jej obróceniu.

3.6 - Blokowanie i odblokowywanie motoreduktora w trybie ręcznym

Motoreduktor jest wyposażony w mechaniczny system odblokowujący, który umożliwia otwieranie i zamykanie bramy w trybie ręcznym. Te operacje wykonywane trybie ręcznym są niezbędne w przypadku braku prądu elektrycznego, nieprawidłowego funkcjonowania bramy lub podczas faz montażu.

Odblokowanie (rys. 9):

01. Włóż klucz;
02. Obróć klucz w kierunku przeciwnym do ruchu wskazówek zegara (180°);
03. Teraz będzie możliwe ręczne przesunięcie skrzydła bramy do wybranego położenia.

Blokowanie (rys. 10):

01. Obróć klucz o 180° w kierunku zgodnym z ruchem wskazówek zegara;
02. Wyjmij klucz.

4 PODŁĄCZENIA ELEKTRYCZNE

Podłączenie elektryczne różnych urządzeń (fotokomórki, klawiatury cyfrowe, czytniki kart zbliżeniowych (transpondery), itp., występujących w automatyce z centralą sterującą, musi być wykonane z zastosowaniem systemu "Bluebus" firmy Nice.

Opis połączeń elektrycznych (rys. 11)

ANTENA	wejście dla anteny odbiornika radiowego
FLASH	wyjście dla 1 lampy ostrzegawczej z żarówką 12 V (maksymalnie 21 W). [*]
ELS	wyjście dla zamka elektrycznego 12 Vpp (maksymalnie 15 VA). [*]
BLUEBUS	wejście dla urządzeń kompatybilnych (MOFB, MOFOB, MOB i MOTB; równoległe podłączenie urządzeń z zastosowaniem 2 przewodów, przez które przepływa zarówno zasilanie elektryczne jak i sygnały komunikacji; nie jest konieczne przestrzeganie biegunowości. Połączenie elektryczne, które należy zastosować jest połączeniem równoległym, które nie wymaga przestrzegania żadnej biegunowości. Podczas fazy rozpoznawania każde urządzenie podłączone do centrali zostanie przez nią rozpoznane pojedynczo, dzięki jednoznaczniemu kodowi. Za każdym razem, kiedy zostanie dodane lub usunięte jakieś urządzenie, musisz ponownie przeprowadzić procedurę rozpoznawania (przeczytaj paragraf 4.5).
STOP	wejście dla urządzeń, które swoim działaniem powodują natychmiastowe zatrzymanie wykonywanego manewru, po nim następuje krótka zmiana ruchu; możliwość połączenia styków typu NO, NC lub urządzeń z wyjściem o stałej oporności 8,2 kΩ (listwy rezystancyjne). Każde urządzenie podłączone do tego wejścia jest rozpoznawane przez centralę podczas fazy rozpoznawania (paragraf 3.4). Jeżeli w czasie pracy centrala odczyta na tym wejściu jakąkolwiek zmianę w stosunku do stanu zapamiętanego przy programowaniu, natychmiast zatrzyma siłowniki (STOP). Możesz podłączyć do tego wejścia jedno lub kilka urządzeń, mogą to być również różne urządzenia: <ul style="list-style-type: none"> - podłącz równoległe kilka urządzeń typu NO, bez ograniczenia ilości; - podłączenie seryjne dowolnej ilości urządzeń NC; - podłącz równoległe 2 urządzenia z wyjściem o stałej oporności 8,2 kΩ. W przypadku podłączenia więcej niż dwóch urządzeń musisz podłączyć je kaskadowo, stosując tylko jedną oporność końcową 8,2 kΩ; - podłącz równoległe 2 urządzenia typu NO i NC, łącząc szeregowo styk NC z opornością 8,2 kΩ (umożliwia to również kombinację pomiędzy 3 urządzeniami NO - NC i 8,2 kΩ)
P.P.	wejście dla urządzeń sterujących, które poprzez swoje zadziałanie powodują wykonanie manewru w trybie Krok po Kroku; możliwość podłączenia styków typu NO

OPEN wejście dla urządzeń sterujących, które poprzez zadziałanie powodują wykonanie manewru częściowe otwarcie1; możliwość podłączenia styków typu NO

M wyjście dla motoreduktora bez centrali (HO7224)

[*] Wyjścia FLASH i ELS mogą być programowane z pomocą innych funkcji (patrz "TABELA 5 - Funkcje 1-go poziomu" lub z zastosowaniem programatora Oview, przeczytaj rozdział 8.3).

4.1 - Połączenia elektryczne motoreduktorów

Uwaga! - Wykonaj podłączenia elektryczne dopiero po zainstalowaniu motoreduktora.

ZALECENIA!





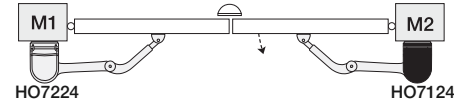
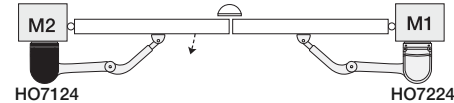
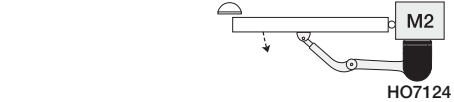
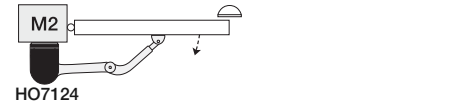
- Operacje podłączania muszą być wykonywane wyłącznie przez personel wykwalifikowany.

- Wszystkie podłączenia elektryczne muszą być wykonane po odcięciu zasilania elektrycznego i odłączeniu akumulatora awaryjnego, jeśli znajduje się w automatyce.

- Na elektrycznej linii zasilania przygotuj urządzenie, które zagwarantuje całkowite odłączenie automatyki od sieci. Urządzenie rozłączające zasilanie musi gwarantować odległość pomiędzy stykami, umożliwiającą całkowite rozłączenie w warunkach zatwierdzonej III kategorii przeięcia, zgodnie z zasadami montażu.

01. Otwórz pokrywę motoreduktora (rys. 12-1);
02. Włóż przewód zasilający i inne przewody elektryczne przez jeden z otworów, znajdujących się w dolnej części motoreduktora (rys. 12-2);
03. Podłącz najpierw przewód zasilania silnika z centralą HO7124: odkręć zacisk (rys. 12-3) i podłącz przewód zasilania, jak pokazano na rys. 12-4; następnie zablokuj przewód z pomocą zacisku (rys 12-5);
04. Teraz podłącz przewód zasilający silnik bez centrali (HO7224) jak pokazano na rys. 13;
05. Teraz podłącz przewody pozostałych urządzeń, nawiązując do rys. 11 oraz do rozdziału 4.3. *Uwaga - Aby ułatwić podłączenie przewodów możesz wyjąć zaciski z gniazd;*
06. Znajdź w Tabeli 2 typologię odpowiadającą programowanej instalacji i jeżeli to konieczne ustaw w centrali przełącznik JA oraz mostek JB jak opisano;
07. Zamknij pokrywę motoreduktorów (rys. 12-6).

TABELA 2

	JA	JB
	JA	JB
	JA	JB
	JA	JB
	JA	JB
	JA	JB
	JA	JB
	JA	JB

4.2 - Podłączenie innych urządzeń

Jeżeli wymagane jest zastosowanie dodatkowych urządzeń przewidzianych w instalacji, na przykład czytnika kart zbliżeniowych lub oświetlenia przełącznika kluczowego, jest możliwe podłączenie tych dwóch urządzeń do centrali sterującej, wykorzystując zaciski "P.P. (dodatni)" i "STOP (ujemny)" (rys. 11). Napięcie zasilania wynosi 24 Vcc (-30% ÷ +50%), maksymalny prąd do dyspozycji wynosi 200 mA.

Uwaga – Napięcie dostępne w zaciskach "P.P." i "STOP" pozostaje obecne również w przypadku włączenia funkcji "Stand By" w centrali.

4.3 - Adresowanie podłączonych urządzeń

Aby umożliwić centrali rozpoznawanie urządzeń podłączonych do systemu Bluebus należy najpierw zaadresować te urządzenia. Podczas wykonywania tej operacji prawidłowo ustaw mostek elektryczny, znajdujący się w każdym urządzeniu; przeczytaj instrukcje obsługi każdego pojedynczego urządzenia: patrz **rys. A** i **Tabela 3**.

Aby zaadresować inne urządzenia przeczytaj odpowiednie instrukcje obsługi. Po wykonaniu procedury instalacji lub w następstwie demontażu fotokomórek lub innych urządzeń, należy wykonać procedurę rozpoznawania tych urządzeń; patrz paragraf 4.5.

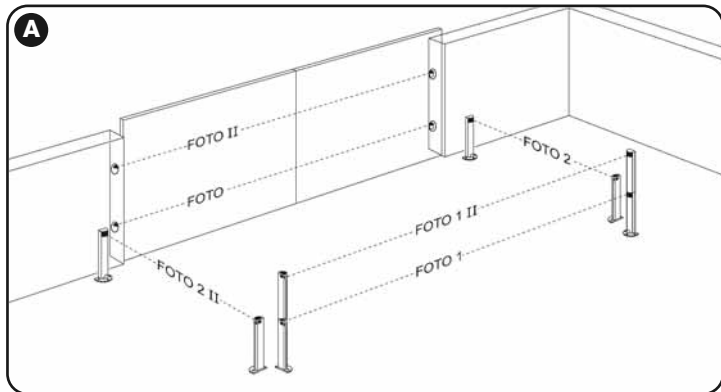


TABELA 3 - ADRESY FOTOKOMÓREK

Fotokomórka	Mostki
FOTO Fotokomórka zewnętrzna wys. = 50 aktywna podczas zamykania (zatrzymuje i zmienia kierunek ruchu)	
FOTO II Fotokomórka zewnętrzna wys. = 100 aktywna podczas zamykania (zatrzymuje i zmienia kierunek ruchu)	
FOTO 1 Fotokomórka wewnętrzna wys. = 50 aktywna zarówno podczas zamykania (zatrzymuje i zmienia kierunek ruchu) jak i podczas otwierania (zatrzymuje i wznowia ruch po zwolnieniu fotokomórki)	
FOTO II I Fotokomórka wewnętrzna wys. = 100 aktywna zarówno podczas zamykania (zatrzymuje i zmienia kierunek ruchu) jak i podczas otwierania (zatrzymuje i wznowia ruch po zwolnieniu fotokomórki)	
FOTO 2 Fotokomórka wewnętrzna aktywna podczas zamykania (zatrzymuje i zmienia kierunek ruchu)	
FOTO 2 II Fotokomórka wewnętrzna aktywna podczas otwierania (zatrzymuje i zmienia kierunek ruchu)	
FOTO 3 KONFIGURACJA NIEDOZWOLONA	

4.4 - Pierwsze włączenie i weryfikacja połączeń

Po podłączeniu zasilania elektrycznego do centrali sterującej wykonaj następujące czynności:

- odczekaj kilka sekund i sprawdź, czy dioda "Bluebus" (**rys. 15**) miga prawidłowo, z częstotliwością 1 błysku na sekundę;
- sprawdź, czy diody fotokomórek (**rys. 15**), zarówno TX jak i RX, wykonują błyski. Rodzaj błysku podczas tej fazy nie jest ważny;
- Sprawdź, czy lampa ostrzegawcza podłączona do wyjścia FLASH jest wyłączona (nie świeci).

Jeżeli jest inaczej odłącz zasilanie centrali i sprawdź połączenia elektryczne.

4.5 - Rozpoznawanie urządzeń podłączonych

Po pierwszym włączeniu urządzenia rozpoznaj z pomocą centrali urządzenia podłączone do wejść "Bluebus" i "Stop".

UWAGA! – Faza rozpoznawania musi być wykonana również, jeśli do tych wejść nie są podłączone żadne urządzenia.

Centrala jest w stanie rozpoznawać różne urządzenia podłączone do niej, dzięki zastosowaniu procedury rozpoznawania, może również wykrywać możliwe nieprawidłowości w nich występujące. Dlatego też rozpoznawanie urządzeń należy wykonywać zawsze w przypadku dodania lub usunięcia któregoś z urządzeń.

Diody "L1" i "L2" znajdujące się w centrali (**rys. 15**), wolno migają, wskazując, że należy uruchomić proces rozpoznawania:

01. Wciśnij równocześnie i przytrzymaj przyciski "◀" i "Set" (**rys. 15**).

02. Zwolnij przyciski, kiedy diody "L1" i "L2" zaczną migać szybciej, (po około 3 sekundach).

03. Odczekaj kilka sekund, aż do zakończenia fazy rozpoznawania urządzeń przez centralę.

04. Po zakończeniu tej fazy dioda "Stop" musi się zaświecić a diody "L1" i "L2" muszą zgasnąć, (mogą zacząć migotać diody "L3" i "L4").

4.6 - Rozpoznawanie pozycji ograniczników mechanicznych

Po zaprogramowaniu podłączonych urządzeń (paragraf 4.6) należy zaprogramować pozycje ograniczników mechanicznych (maksymalne otwarcie i maksymalne zamknięcie). Ta procedura może być wykonywana w trzech trybach: **automatyczny, ręczny i mieszany**.

W trybie automatycznym centrala wykonuje programowanie ograniczników mechanicznych i oblicza przesunięcia fazowe najbardziej odpowiednie dla skrzydeł bramy (SA i SC, **rys. B**).

W trybie ręcznym następuje pojedynczo zaprogramowanie sześciu pozycji pokazanych na **rys. B** poprzez przesuwanie skrzydła bramy do wybranych miejsc. Programowane położenie jest rozpoznawane dzięki miganiu jednej z 6 diod (L1...L6), patrz **Tabela 4**.

W trybie mieszanym jest możliwe wykonanie procedury automatycznej i następnie modyfikowanie jednej lub kilku pozycji w trybie ręcznym, za wyjątkiem pozycji "0" i "1" (**rys. B**) które pokrywają się z pozycjami mechanicznych ograniczników położenia.

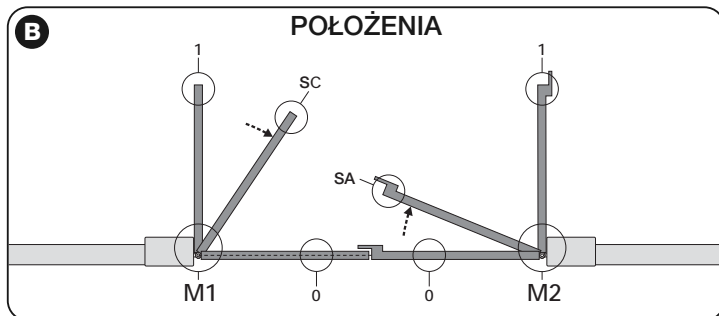


TABELA 4

Położenie	dioda	Opis
Położenie 0 (siłownik 1)	L1	Położenie maksymalnego zamknięcia: kiedy skrzydło 1 opiera się o ogranicznik mechaniczny zamykania
Położenie 0 (siłownik 2)	L2	Położenie maksymalnego zamknięcia: kiedy skrzydło 2 opiera się o ogranicznik mechaniczny zamykania
Położenie SA (siłownik 2)	L3	Przesunięcie fazowe podczas otwierania: kiedy skrzydło 2 osiąga to położenie rozpoczyna się otwieranie skrzydła 1
Położenie SC (siłownik 1)	L4	Przesunięcie fazowe podczas zamykania: kiedy skrzydło 1 osiąga to położenie, rozpoczyna się zamykanie skrzydła 2
Położenie 1 (siłownik 1)	L5	Położenie maksymalnego otwarcia: kiedy skrzydło 1 opiera się o ogranicznik mechaniczny otwierania
Położenie 1 (siłownik 2)	L6	Położenie maksymalnego otwarcia: kiedy skrzydło 2 opiera się o ogranicznik mechaniczny otwierania

4.6.1 - Programowanie w trybie automatycznym

01. Wciśnij i przytrzymaj wciśnięte jednocześnie przyciski "Set" i "▶";

02. Zwolnij przyciski kiedy diody "L3" i "L4" zaczną bardzo szybko migotać (po około 3 sekundach);

03. Sprawdź, czy automatyka wykona następujące manewry:

a - Wolne zamknięcie motoreduktora M1 aż do ogranicznika mechanicznego

b - Wolne zamknięcie motoreduktora M2 aż do ogranicznika mechanicznego

c - Wolne otwarcie motoreduktora M2 a potem motoreduktora M1 aż do ogranicznika mechanicznego

d - Szybkie całkowite zamknięcie motoreduktora M1 i M2

Zalecenia:

– Jeżeli pierwszy manewr wykonany przez jedno lub oba skrzydła bramy nie jest zamknięciem, wciśnij przycisk "◀" lub "▶" aby przerwać fazę programowania; następnie sprawdź pozycję przełącznika JA oraz mostka JB (patrz **Tabela 2**) lub sprawdź biegunowość podłączenia silnika bez centrali (HO7224).

– Jeżeli pierwszy manewr zamknięcia nie jest wykonywany przez M1, wciśnij przycisk "◀" lub "▶" aby przerwać fazę programowania; następnie sprawdź pozycję przełącznika JA oraz mostka JB, patrz **Tabela 2**;

04. Po zakończeniu manewru zamykania obu siłowników (d), diody "L3" i "L4" zgasną, wskazując, że procedura została wykonana prawidłowo.

Zalecenia:

– Jeżeli podczas procedury programowania w trybie automatycznym zostanie stwierdzone zadziałanie fotokomórek lub urządzenia podłączonego do wejścia "stop", procedura zostanie przerwana a dioda L1 zacznie migotać. Aby ponownie uaktywnić programowanie należy wznowić procedurę od punktu **01**;

– Procedura programowania w trybie automatycznym może zostać wznowiona w dowolnej chwili, również po dokonaniu montażu; na przykład w następstwie zmiany pozycji ograniczników mechanicznych.

4.6.2 - Programowanie w trybie ręcznym

Uwaga! – Poczynając od kroku 03:

– aby przejść z diody L1 do L6 należy krótko wcisnąć przycisk ◀ lub ▶ (dioda będzie migotać wskazując aktualne położenie);

– aby umożliwić przemieszczanie się silnika w danym kierunku należy wcisnąć i przytrzymać przycisk ◀ lub ▶.

01. Wciśnij i przytrzymaj jednocześnie przyciski "Set" i "▶";
02. Zwolnij je, kiedy dioda "L1" zaczyna migotać (po około 1 sekundzie);
Uwaga – Po upływie 3 sekund, jeżeli przyciski "Set" i "▶" nie zostaną w tym czasie zwolnione, uaktywni się procedura "programowanie w trybie automatycznym" w zastępstwie programowania w trybie ręcznym.

03. • **dioda L1 miga: położenie 0 M1**

Aby ustawić siłownik 1 w **położenie 0 (rys. B)**: wciśnij i przytrzymaj przycisk "◀" lub "▶". Po uzyskaniu wymaganego położenia zwolnij przycisk, aby zatrzymać wykonywany manewr. Aby wczytać położenie wciśnij i przytrzymaj przycisk "Set" przez co najmniej 3 sek. i następnie zwolnij, (po 2 sek. dioda L1 zapali się na stałe a po zwolnieniu przycisku "Set" zaczyna migać dioda L2).

• **dioda L2 miga: położenie 0 M2**

Aby ustawić siłownik 2w **położenie 0 (rys. B)**: wciśnij i przytrzymaj przycisk "◀" lub "▶". Po uzyskaniu wymaganego położenia zwolnij przycisk, aby zatrzymać wykonywany manewr. Aby wczytać położenie wciśnij i przytrzymaj przycisk "Set" przez co najmniej 3 sek. i następnie zwolnij, (po 2 sek. dioda L2 zapali się na stałe a po zwolnieniu przycisku "Set" zaczyna migać dioda L3).

• **dioda L3 miga: położenie SA M2**

Aby stawić siłownik 2 w **położenie SA (rys. B)**: wciśnij i przytrzymaj przycisk "◀" lub "▶". Po uzyskaniu wymaganego położenia zwolnij przycisk, aby zatrzymać wykonywany manewr. Aby wczytać położenie wciśnij i przytrzymaj przycisk "Set" przez co najmniej 3 sek. i następnie zwolnij, (po 2 sek. dioda L3 zapali się na stałe a po zwolnieniu przycisku "Set" zaczyna migać dioda L4).

• **dioda L4 miga: położenie SC di M1**

Aby ustawić siłownik 1 w **położenie SC (rys. B)**: wciśnij i przytrzymaj przycisk "◀" lub "▶". Po uzyskaniu wymaganego położenia zwolnij przycisk, aby zatrzymać wykonywany manewr. Aby wczytać położenie wciśnij i przytrzymaj przycisk "Set" przez co najmniej 3 sek. i następnie zwolnij, (po 2 sek. dioda L4 zapali się na stałe a po zwolnieniu przycisku "Set" zaczyna migać dioda L5);

• **dioda L5 miga: położenie M1**

Aby ustawić siłownik 1w **położenie 1 (rys. B)**: wciśnij i przytrzymaj przycisk "◀" lub "▶". Po uzyskaniu wymaganego położenia zwolnij przycisk, aby zatrzymać wykonywany manewr. Aby wczytać położenie wciśnij i przytrzymaj przycisk "Set" przez co najmniej 3 sek. i następnie zwolnij, (po 2 sek. dioda L5 zapali się na stałe a po zwolnieniu przycisku "Set" zaczyna migać dioda L6).

• **dioda L6 miga: położenie 1M2**

Aby ustawić siłownik 2 w **położenie 1 (rys. B)**: wciśnij i przytrzymaj przycisk "◀" lub "▶". Po uzyskaniu wymaganego położenia zwolnij przycisk, aby zatrzymać wykonywany manewr. Aby wczytać położenie wciśnij i przytrzymaj przycisk "Set" przez co najmniej 3 sek. i następnie zwolnij, aby wyjść z programowania, (po upływie 2 sek. dioda L6 zapali się na stałe - aż do zwolnienia przycisku "Set").

Pamiętaj – Programowanie w trybie ręcznym instalacji zawierającej tylko jeden motoreduktor: postępuj jak opisano na początku tego paragrafu, od kroku 01. **W kroku 03** postępuj w następujący sposób:

- **zaprogramuj pozycje diod L1 (0 - M1) i L5 (1 - M1) w następujący sposób:** przytrzymaj wciśnięty przycisk „Set” przez co najmniej 3 sekundy i następnie zwolnij, (po upływie 2 sek. dioda pozostanie zaświecona i po zwolnieniu przycisku "Set" zaczyna migać następna dioda).
- **nie programuj pozycji diod L3 (SA - M2) - L4 (SC - M1):** aby przesunąć się pomiędzy pozycjami wciśnij na krótko przycisk "◀" lub "▶".

4.6.3 - Programowanie w trybie mieszanym

Wykonaj tę procedurę po wcześniejszym zaprogramowaniu urządzenia w trybie automatycznym:

01. Wciśnij i przytrzymaj jednocześnie wciśnięte przyciski "Set" i "▶";
02. Zwolnij je, kiedy dioda "L1" zaczyna migotać (po około 1 sekundzie);
Uwaga – Po upływie 3 sekund, jeżeli przyciski "Set" i "▶" nie zostaną zwolnione, uaktywni się procedura "programowanie w trybie automatycznym" w zastępstwie programowania w trybie ręcznym.
03. Krótko wciskając przycisk "◀" lub "▶" zmień pozycję migającej diody (L1... L6) na tę, którą zamierzasz zaprogramować i kontynuuj w ten sam sposób dla każdej pojedynczej pozycji, jak opisano w kroku 03 programowania w trybie ręcznym (paragraf 4.7.2).
Powtórz tę ostatnią operację dla wszystkich pozostałych pozycji, które zamierzasz zmienić.

Aby zakończyć programowanie w trybie ręcznym wciśnij kilkakrotnie przycisk "▶", aby zmienić pozycję migającej diody i przesunąć ją powyżej L6.

4.7 - Kontrola ruchu skrzydeł bramy

Po zakończeniu fazy rozpoznawania zaleca się wykonanie kilku manewrów otwierania i zamykania, sterowanych przez centralę, aby w ten sposób sprawdzić poprawność ruchu bramy i wychwycić ewentualne usterki montażowe i regulacyjne.

01. Wciśnij przycisk "Open" i sprawdź, czy podczas manewru Otwarcia występuje faza przyspieszania, faza ruchu ze stałą prędkością i faza zwalniania. Sprawdź prawidłowe przesunięcie fazowe skrzydeł bramy podczas otwierania. Po zakończeniu operacji skrzydła bramy muszą być perfekcyjnie otwarte na mechanicznym ograniczniku otwierania;

02. Wciśnij przycisk "Close" i sprawdź, czy podczas manewru zamykania występuje faza przyspieszania, faza ruchu ze stałą prędkością i faza zwalniania. Sprawdź prawidłowe przesunięcie fazowe skrzydeł bramy podczas zamykania. Po zakończeniu operacji skrzydła bramy muszą być perfekcyjnie zamknięte, opierając się na ograniczniku mechanicznym zamykania;
03. Sprawdź, czy podczas wykonywania manewru lampa ostrzegawcza miga regularnie z częstotliwością - raz na sekundę (0,5s włączona i 0,5s wyłączona).

5 ODBIÓR TECHNICZNY I URUCHAMIANIE

Oto najważniejsze czynności wybrane tak, by zagwarantować maksimum bezpieczeństwa i niezawodność automatyki. Procedura testowania może być również zastosowana przy okresowej kontroli poszczególnych urządzeń automatyki. Procedura testowania i odbioru musi być przeprowadzona przez wykwalifikowany i doświadczony personel, który musi ocenić jakie testy przeprowadzić, oceniając wymagany poziom bezpieczeństwa i zgodność instalacji z obowiązującymi przepisami i normami, a szczególnie z postanowieniami EN 12445, która określa metody testów dla systemów automatyki bram.

Urządzenia dodatkowe muszą zostać poddane specjalnej procedurze testowej, zarówno ze względu na ich funkcjonalność jak i odnośnie prawidłowego współdziałania z POP; należy postępować zgodnie z instrukcjami zawartymi w instrukcjach obsługi poszczególnych urządzeń.

5.1 - Odbiór

Sekwencja czynności do wykonania podczas procedury testowania odnosi się do typowej instalacji (rys. 3):

- 1 Sprawdź, czy są ściśle przestrzegane wszelkie zalecenia przewidziane w rozdziale "Zalecenia dotyczące instalacji".
- 2 Odblokować ręcznie siłowniki i sprawdzić, czy naciskając na skrzydło bramy, w miejscu przewidzianym do manewrów ręcznych, możliwe jest przesunięcie skrzydeł bramy podczas otwarcia lub zamknięcia, przy użyciu siły mniejszej od 390 N.
- 3 Zablokować siłowniki (zob. rozdział 3.6).
- 4 Używając urządzeń sterujących (nadajnika, przycisku sterowania, przełącznika kluczykowego, itd.), wykonać próby Otwarcia, Zamknięcia i Zatrzymania bramy, upewniając się, czy ruch skrzydeł bramy odpowiada temu przewidzianemu. Zaleca się przeprowadzenie wielu, aby następnie móc określić ruch skrzydeł bramy i upewnić się, czy zostały wyeliminowane ewentualne błędy w montażu, błędy regulacyjne lub występowanie punktów tarcia.
- 5 Sprawdź prawidłowe funkcjonowanie wszystkich pojedynczych pomocniczych urządzeń zabezpieczających, znajdujących się w instalacji (fotokomórki, listwy optyczne, itp.). Kiedy urządzenie zadziała, dioda "BLUEBUS" znajdująca się na centrali wykona 2 bardzo szybkie błysnięcia, na potwierdzenie wykonanego rozpoznania.
- 6 Jeśli niebezpieczne sytuacje powodowane przez ruch skrzydeł bramy zostały wyeliminowane poprzez ograniczenie uderzenia, należy zmierzyć siłę uderzenia wg normy EN 12445 i ewentualnie, by pomóc systemowi w ograniczeniu uderzenia, należy spróbować znaleźć regulację dającą najlepsze rezultaty.
- 7 Przymocuj w sposób trwały w strefie przylegającej do automatyki etykietkę, na której zawarta jest informacja wyjaśniająca jak należy odblokować motoreduktor w trybie ręcznym.

5.2 - Uruchamianie

Uruchomienie powinno nastąpić dopiero po pomyślnym zakończeniu wszystkich testów.

- 1 Sporządzić dokumentację techniczną automatyki, która powinna zawierać następujące dokumenty: rysunek zestawieniowy automatyki, schemat połączeń elektrycznych, analizę ryzyka wraz z opisem wdrożonych środków zapobiegawczych, deklarację zgodności producenta wszystkich użytych urządzeń oraz deklarację zgodności wypełnioną przez osobę, która dokonała montażu.
- 2 Na bramie umieścić tabliczkę zawierającą przynajmniej następujące dane: typ automatu, nazwę i adres producenta (osoby odpowiedzialnej za "rozruch"), numer fabryczny, rok produkcji i znak "CE".
- 3 Wypełnić Deklarację Zgodności i przekazać ją właścicielowi systemu automatyki.
- 4 Wypełnić i zwrócić właścicielowi automatyki "Instrukcję obsługi" automatyki.
- 5 Wypełnić i oddać właścicielowi automatyki "Program przeglądów" który powinien zawierać dane dotyczące konserwacji wszystkich urządzeń składowych automatyki.
- 6 Przed przekazaniem instalacji należy poinformować użytkownika o zagrożeniach i niebezpieczeństwach związanych z automatyką. Odnosnie powyższej dokumentacji, firma Nice dzięki serwisowi obsługi technicznej oddaje do dyspozycji Klientów: instrukcje obsługi, przewodniki i wstępnie wypełnione formularze. Odwiedź także: www.nice-service.com

6 PROGRAMOWANIE CENTRALI STERUJĄCEJ

Sulla centrale sono presenti 3 tasti **OPEN** (◀), **STOP (SET)**, **CLOSE** (▶) che possono essere utilizzati sia per comandare la centrale durante le fasi di prova sia per la programmazione delle funzioni disponibili.

Funkcje programowalne będące do dyspozycji użytkownika, są rozmieszczone na 2 poziomach, ich stan jest sygnalizowany przez 8 diod (**L1...L8**) na centrali, (**diody świecą się** = funkcja jest aktywna; **diody nie świecą się** = funkcja jest nieaktywna).

Używanie przycisków programowania:

OPEN (◀): – przycisk umożliwiający sterowanie otwieraniem bramy; – przycisk wyboru podczas fazy programowania.

STOP/SET: przycisk umożliwiający zatrzymanie wykonywanego manewru; jeżeli pozostanie wciśnięty przez dłużej niż 5 sekund umożliwi wejście do fazy programowania.

CLOSE (▶): – przycisk umożliwiający sterowanie zamykaniem bramy; – przycisk wyboru podczas fazy programowania.

6.1 - Programowanie pierwszego poziomu (ON-OFF)


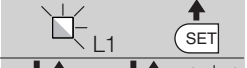



Wszystkie funkcje pierwszego poziomu są ustawione fabrycznie na "OFF" i mogą być zmieniane w każdej chwili. Aby sprawdzić różne funkcje przejrzyj **Tabela 5**. Procedura programowania funkcji jest przedstawiona w **Tabela 6**.

WAŻNE – Podczas wykonywania procedury programowania maksymalny czas trwania przerwy pomiędzy wciśnięciem kolejnych przycisków wynosi 10 sekund. Po upływie tego czasu procedura kończy się automatycznie, zostaną zapamiętane funkcje ustawione do tej chwili.

TABELA 5 - Funkcje pierwszego poziomu

Dioda	Funkcja	Opis
L1	Automatyczne zamykanie	<u>Funkcja AKTYWNA:</u> po wykonaniu manewru otwierania następuje przerwa, (równa zaprogramowanemu czasowi trwania przerwy), po której centrala automatycznie uruchamia manewr zamykania. Ustawiona fabrycznie wartość czasu przerwy wynosi 30 sek. <u>Funkcja NIEAKTYWNA:</u> funkcjonowanie "półautomatyczne".
L2	Zamknij po FOTO	<u>Funkcja AKTYWNA:</u> jeżeli podczas manewru otwierania lub zamykania zadziałają fotokomórki, czas trwania przerwy zostaje skrócony do 5 sek., niezależnie od zaprogramowanego "czasu trwania przerwy". W przypadku, kiedy "automatyczne zamykanie" jest nieaktywne, jeśli podczas zamykania zadziałają fotokomórki, następuje uaktywnienie "automatycznego zamykania", z zaprogramowanym "czasem trwania przerwy".
L3	Zamknij zawsze	<u>Funkcja AKTYWNA:</u> w przypadku przerwy w dopływie energii elektrycznej, również krótkiej, po ponownym podłączeniu prądu centrala rozpoznaje, że brama jest otwarta i automatycznie uruchamia manewr zamykania, poprzedzony przez trwające 5 sek. miganie lampy ostrzegawczej. <u>Funkcja NIEAKTYWNA:</u> po ponownym podłączeniu prądu elektrycznego brama pozostaje w spoczynku.
L4	Stan czuwania całego urządzenia	<u>Funkcja AKTYWNA:</u> po upływie 1 minuty od zakończenia manewru, centrala wyłączy wyjście "Bluebus" (podłączone urządzenia), magistralę T4 (podłączone urządzenia), wyjścia flash i ELS, niektóre obwody wewnętrzne oraz wszystkie diody, oprócz diody Bluebus, która będzie wolniej migać. Kiedy centrala otrzyma nowe polecenie, przywróci prawidłowe funkcjonowanie urządzenia (z krótkim opóźnieniem). Celem tej funkcji jest ograniczenie zużycia energii elektrycznej, ważny aspekt w przypadku zasilania pobieranego z akumulatora lub z zastosowaniem paneli fotoelektrycznych.
L5	Zamek elektryczny/ Światelko nocne	<u>Funkcja AKTYWNA:</u> wyjście "zamek elektryczny" realizuje funkcję "światelko nocne". <u>Funkcja NIEAKTYWNA:</u> wyjście funkcjonuje jako obsługa zamka elektrycznego.
L6	Miganie wstępne	<u>Funkcja AKTYWNA:</u> lampa ostrzegawcza zacznie migać 3sekundy przed rozpoczęciem manewru (otwierania i zamykania), w celu zasygnalizowania z wyprzedzeniem sytuacji niebezpiecznej. <u>Funkcja NIEAKTYWNA:</u> sygnalizacja lampy ostrzegawczej pokrywa się z rozpoczęciem manewru.
L7	"Krok po Kroku" zmienia się na "Otwarcie" i "Otwórz" zmienia się na "Zamknięcie"	<u>Funkcja AKTYWNA:</u> dwa wejścia centrali "Krok po kroku" i "Otwórz" pełnią funkcję "Otwarcie" i "Zamknięcie". <u>Funkcja NIEAKTYWNA:</u> dwa wejścia centrali "Krok po kroku" i "Otwórz" pełnią funkcję "Krok po kroku" i "Otwarcie częściowe 1".
L8	"Flash" lub "Kontrolka bramy otwartej"	<u>Funkcja AKTYWNA:</u> wyjście "Flash" centrali przełącza własne funkcjonowanie na "Kontrolka bramy otwartej". <u>Funkcja NIEAKTYWNA:</u> wyjście "Flash" centrali wykonuje funkcję "Lampa ostrzegawcza".

TABELA 6 - Procedura programowania pierwszego poziomu

01. Wciśnij i przytrzymaj przycisk "Set" przez około 3 sekundy;	
02. Zwolnij przycisk, kiedy dioda "L1" zacznie migać;	
03. Wciskając przycisk "◀" lub "▶" przesunij migającą diodę na pozycję odpowiadającą funkcji, którą należy zmienić;	
04. Wciśnij na krótki przycisk "Set" aby zmienić stan funkcji: (krótki błysk = OFF - długi błysk = ON);	
05. Odczekaj 10 sekund (maksymalny czas), aby wyjść z programowania.	
Uwaga – Aby zaprogramować inne funkcje na "ON" lub "OFF", podczas wykonywania tej procedury można powtórzyć punkty 03 i 04 nie wychodząc z programowania.	

6.2 - Programowanie drugiego poziomu (parametry regulowane)

Wszystkie parametry drugiego poziomu są wstępnie ustawione fabrycznie; są one zaznaczone szarym kolorem w **Tabeli 7** i mogą być modyfikowane w każdej chwili, zgodnie z opisem zamieszczonym w **Tabeli 8**.

Parametry są regulowane w skali od 1 do 8; aby sprawdzić wartość odpowia-

dającą każdej diodzie przejrzyj **Tabelę 10**. **WAŻNE** – Podczas wykonywania procedury programowania maksymalny czas trwania przerwy pomiędzy wciśnięciem kolejnych przycisków wynosi 10 sekund. Po upływie tego czasu procedura kończy się automatycznie i zostaną zapamiętane funkcje, ustawione do tej chwili.


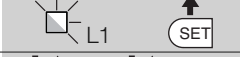


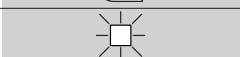



TABELA 7 - Funkcje drugiego poziomu

Dioda wejścia	Parametr	Dioda (poziom)	Wartość	Opis
L1	Czas trwania przerwy	L1	5 sekund	Reguluje czas trwania przerwy, czyli zwłokę przed zamknięciem automatycznym. Działa wyłącznie, jeśli "automatyczne zamknięcie" jest aktywne.
		L2	15 sekund	
		L3	30 sekund	
		L4	45 sekund	
		L5	60 sekund	
		L6	80 sekund	
		L7	120 sekund	
		L8	180 sekund	
L2	Funkcja Krok po Kroku	L1	Otwarcie – stop – zamknięcie – stop	Reguluje sekwencję poleceń łączonych z wejściem "Krok po Kroku", "Otwieranie", "Zamykanie" lub z poleceniem radiowym. Uwaga – Ustawiając L4, L5, L7 i L8, ulega zmianie również zachowanie poleceń "Otwieranie" i "Zamykanie".
		L2	Otwarcie – stop – zamknięcie – otwarcie	
		L3	Otwarcie – zamknięcie – otwarcie – zamknięcie	
		L4	Zespół mieszkalny: • podczas manewru otwierania polecenie "Krok po kroku" i "Otwieranie" nie działają; natomiast polecenie "Zamykanie" powoduje zmianę ruchu, czyli zamknięcie bramy. • podczas manewru zamykania polecenie "Krok po kroku" i "Otwieranie" powodują zmianę ruchu, czyli otwarcie bramy; natomiast polecenie "Zamykanie" nie wywiera żadnego skutku.	
		L5	Cspół mieszkalny 2: • podczas manewru otwierania polecenie "Krok po kroku" i "Otwieranie" nie działają; natomiast polecenie "Zamykanie" powoduje zmianę ruchu, czyli zamknięcie bramy. Jeżeli wysyłane polecenie trwa więcej niż 2 sekundy, brama przejdzie do stanu "Stop". • podczas manewru zamykania polecenie "Krok po kroku" i "Otwieranie" powodują zmianę ruchu, czyli otwarcie bramy; natomiast polecenie "Zamykanie" nie działa. Jeżeli wysyłane polecenie trwa więcej niż 2 sekundy, brama przejdzie do stanu "Stop".	
		L6	Krok po kroku 2 (sygnał krótszy niż 2s daje otwarcie częściowe)	
		L7	W obecności użytkownika: manewr zostanie wykonany wyłącznie, jeśli wysłane polecenie nadal trwa; jeżeli natomiast zostanie ono przerwane manewr zostanie zatrzymany.	
		L8	otwieranie w trybie "półautomatycznym", zamykanie "w obecności użytkownika"	
L3	Prędkość siłowników	L1	Bardzo niska	Reguluje prędkość silników podczas ruchu głównego.
		L2	Niska	
		L3	Średnia	
		L4	Duża	
		L5	Bardzo duża	
		L6	Maksymalna	
		L7	Otwieranie szybkie (L4), Zamykanie wolne (L2)	
		L8	Otwieranie maksymalnie szybkie (L6), Zamykanie ze średnią prędkością (L3)	
L4	Odpężenie siłowników po zamknięciu	L1	Brak odpężenia	Reguluje czas trwania "krótkiego rewersu" w obu silnikach, po wykonaniu Zamknięcia, w celu zredukowania naprężenia w zamkniętej bramie.
		L2	Poziom 1 - Odpężenie minimalne (około 100 ms)	
		L3	Poziom 2 - ...	
		L4	Poziom 3 - ...	
		L5	Poziom 4 - ...	
		L6	Poziom 5 - ...	
		L7	Poziom 6 - ...	
		L8	Poziom 7 - Rozładowanie maksymalne (około 1 ms)	
L5	Siła siłowników	L1	Poziom 1 - Siła minimalna	Reguluje siłę obu silników.
		L2	Poziom 2 - ...	
		L3	Poziom 3 - ...	
		L4	Poziom 4 - ...	
		L5	Poziom 5 - ...	
		L6	Poziom 6 - ...	
		L7	Poziom 7 - ...	
		L8	Poziom 8 - Siła maksymalna	
L6	Furtka dla pieszych lub częściowe otwarcie	L1	Furtka 1 (otwarcie skrzydła 2 na 1/4 pełnego otwarcia)	Reguluje rodzaj otwarcia połączonego z poleceniem "otwarcie częściowe 1". Na poziomach L5, L6, L7, L8; przez otwarcie "minimalne" przyjmowane jest mniejsze otwarcie spośród M1 i M2; na przykład, jeżeli M1 otwiera się na 90° a M2 na 110°; otwarcie minimalne wynosi 90°
		L2	Furtka 2 (otwarcie skrzydła 2 na 1/2 pełnego otwarcia)	
		L3	Furtka 3 (otwarcie skrzydła 2 na 3/4 pełnego otwarcia)	
		L4	Furtka 4 (całkowite otwarcie skrzydła 2)	
		L5	Częściowe 1 (otwarcie obu skrzydeł na 1/4 otwarcia "minimalnego")	
		L6	Częściowe 2 (otwarcie obu skrzydeł na 1/2 otwarcia "minimalnego")	
		L7	Częściowe 3 (otwarcie obu skrzydeł na 3/4 otwarcia "minimalnego")	
		L8	Częściowe 4 (pełne otwarcie obu skrzydeł równe otwarciu "minimalnemu")	
L7	Zawiadomienie o konserwacji	L1	500	Ustala ilość manewrów, po przekroczeniu której centrala zasygnalizuje konieczność wykonania przeglądu automatyki; przeczytaj paragraf 6.3.2. – Zawiadomienie o konserwacji.
		L2	1000	
		L3	1500	
		L4	2500	
		L5	5000	
		L6	10000	
		L7	15000	
		L8	20000	

L8	Wykaz anomalii	L1	Wynik 1-go manewru (ostatniego)	Umożliwia sprawdzenie typu anomalii, która nastąpiła podczas wykonywania ostatnich 8 manewrów. Patrz TABELA 12 - Wykaz historii anomalii.
		L2	Wynik 2-go manewru	
		L3	Wynik 3-go manewru	
		L4	Wynik 4-go manewru	
		L5	Wynik 5-go manewru	
		L6	Wynik 6-go manewru	
		L7	Wynik 7-go manewru	
		L8	Wynik 8-go manewru	

Uwaga – Kolorem szarym oznaczone są wartości ustawione fabrycznie.

TABELA 8 - Procedura programowania drugiego poziomu

01. Wciśnij i przytrzymaj przycisk "Set" przez około 3 sekundy;	
02. Zwolnij przycisk, kiedy dioda "L1" zacznie migać;	
03. Wciskając przycisk "◀" lub "▶" przesunij migającą diodę na pozycję odpowiadającą parametrowi, który chcesz modyfikować;	
04. Wciśnij i przytrzymaj przycisk "Set" aż do zakończenia punktu 06;	
05. Odczekaj około 3 sekundy, aż do zaświecenia się diody, która reprezentuje aktualny poziom modyfikowanego parametru;	
06. Naciskaj przycisk "◀" lub "▶" aby zmienić diodę, która reprezentuje wartość parametru;	
07. Zwolnij przycisk "Set";	
08. Odczekaj 10 sekund (maksymalny czas), aby wyjść z programowania.	

Uwaga – Aby zaprogramować kilka parametrów podczas wykonywania tej procedury, powtórz operacje od punktu 03 do punktu 07, nie wychodząc z programowania.

6.3 - Funkcje szczególne

6.3.1 - Funkcja: "Uruchom zawsze"

Ta funkcja umożliwia funkcjonowanie automatyki również w przypadku, kiedy jakieś urządzenie zabezpieczające nie funkcjonuje prawidłowo lub jest niezdatne do użytku.

Jest wtedy możliwe sterowanie automatyką w trybie ręcznym (**uomo presente**), postępując w następujący sposób:

- Wyślij z pomocą nadajnika lub przełącznika kluczewego, itp. polecenie, aby uruchomić bramę. Jeżeli wszystkie urządzenia funkcjonują prawidłowo, brama będzie działać prawidłowo, w przeciwnym przypadku należy postępować jak opisano niżej;
- w ciągu 3 sekund ponownie uaktywnij polecenie i przytrzymaj sygnał (przycisk, przekreślony kluczyk itp.);
- po upływie około 2 sekund brama wykona żądany manewr w trybie ręcznym ("w obecności użytkownika"); czyli będzie się poruszać wyłącznie dopóki sygnał będzie aktywny.

Jeżeli urządzenia zabezpieczające nie funkcjonują prawidłowo, lampa ostrzegawcza wykona kilka krótkich błysków, umożliwiających rozpoznanie rodzaju problemu (przeczytaj rozdział 6 - Tabela 10).

6.3.2 - Funkcja: "Zawiadomienie o konserwacji"

Ta funkcja służy do sygnalizowania, kiedy należy wykonać konserwację automatyki. Sygnalizacja zawiadomienia o konserwacji następuje przy pomocy lampki podłączonej do wyjścia „Flash” lub „Els”, w przypadku, kiedy to wyjście jest zaprogramowane jako "Kontrolka konserwacji". Różne sygnalizacje kontrolki są podane w Tabeli 9.

Aby zaprogramować ilość manewrów do przeglądu przejrzyj Tabelę 7.

6.4 - Kasowanie pamięci

Aby skasować pamięć centrali i zresetować wszystkie ustawienia fabryczne postępuj w następujący sposób:

wciśnij i przytrzymaj przyciski "◀" i "▶" dopóki diody led L1 i L2 nie zaczną migać.

Tabela 9 - Sygnalizacja "Kontrolka konserwacji"

Ilość manewrów	Sygnalizacja
Poniżej 80% limitu	Kontrolka świeci się przez 2 sekundy na początku każdego manewru.
Od 81 % do 100% limitu	Kontrolka miga przez cały czas trwania manewru.
Powyżej 100% limitu	Kontrolka miga stale.

7 CO ZROBIĆ JEŚLI... (przewodnik do rozwiązywania problemów)

Niektóre urządzenia mogą wysyłać sygnały, z pomocą których jest możliwe rozpoznanie stanu funkcjonowania lub ewentualnych anomalii.

Jeżeli do wyjścia FLASH, znajdującego się w centrali, zostanie podłączona lampa ostrzegawcza, będzie ona migać podczas wykonywania manewru w

odstępach 1- sekundowych. W przypadku wystąpienia anomalii, lampa ostrzegawcza wykona serię krótkich błysków, która zostanie powtórzona dwa razy, z 1-sekundową pauzą. W Tabeli 10 opisana jest przyczyna i rozwiązanie, odpowiadające różnym komunikatom.

Również diody znajdujące się w centrali wysyłają różne sygnały; w Tabeli 11 jest opisana przyczyna i rozwiązanie odpowiadające różnym komunikatom. Jest możliwe odczytanie ewentualnych anomalii, które wystąpiły w czasie ostatnich 8 manewrów; odwołaj się do Tabeli 12.

TABELA 10 - Sygnalizacja lampy ostrzegawczej (FLASH)


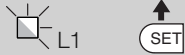


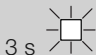


Błyski	Problem	Rozwiązanie
krótki błysk 1 - sekundowa przerwa 1 krótki błysk	Błąd w systemie Bluebus	Kompletacja urządzeń podłączonych do Bluebus, sprawdzana na początku manewru, nie odpowiada tej - zapamiętanej podczas fazy rozpoznawania. podejrzenie urządzeń odłączonych lub uszkodzonych, sprawdź je lub wymień, jeśli jest to konieczne. Jeżeli zostały wprowadzone zmiany ponownie rozpoznaj urządzenia, (przeczytaj paragraf 4.6).
2 krótkie błyski 1 - sekundowa przerwa 2 krótkie błyski	Zadziałanie fotokomórki	Brak przyzwolenia na ruch z jednej lub kilku linii FOTO lub zmiana ruchu spowodowana przez fotokomórki; sprawdź i usuń przeszkodę.
3 krótkie błyski 1 - sekundowa przerwa 3 krótkie błyski	Zadziałanie funkcji "Wykrywanie przeszkód"	Siłowniki napotkały podczas ruchu większe obciążenie; sprawdź przyczynę i ewentualnie zwiększ poziom siły siłowników
4 krótkie błyski 1 - sekundowa przerwa 4 krótkie błyski	Zadziałanie wejścia STOP	Na początku manewru lub podczas ruchu zadziałało jedno z urządzeń podłączonych do wejścia STOP; sprawdź przyczynę.
5 krótkich błysków 1 - sekundowa przerwa 5 krótkich błysków	Błąd w parametrach wewnętrznych centrali sterującej	Odczekaj co najmniej 30 sekund i następnie ponownie spróbuj wysłać polecenie, ewentualnie wyłącz i po chwili włącz zasilanie; jeżeli ten stan utrzymuje się nadal, możliwe, że nastąpiło poważne uszkodzenie i należy wymienić centralę.
6 krótkich błysków 1 - sekundowa przerwa 6 krótkich błysków	Została przekroczona maksymalna dopuszczalna ilość kolejnych manewrów lub ilość manewrów wykonanych w ciągu godziny	Odczekaj kilka minut, aby w ten sposób ponownie ustawić ogranicznik manewrów poniżej maksymalnej granicy.
7 krótkich błysków 1 - sekundowa przerwa 7 krótkich błysków	Anomalia w obwodach elektrycznych	Odczekaj co najmniej 30 sekund i następnie ponownie spróbuj wysłać polecenie, ewentualnie wyłącz i po chwili włącz zasilanie; jeżeli ten stan utrzyma się nadal, jest możliwe, że nastąpiło poważne uszkodzenie i należy wymienić centralę.
8 krótkich błysków 1 - sekundowa przerwa 8 krótkich błysków	Sygnał sterujący nie został wyłączony i blokuje to wykonanie innych poleceń	Sprawdź charakter sygnału; np. sygnał z timera na wejściu "otwarcie".
9 krótkich błysków 1 - sekundowa przerwa 9 krótkich błysków	Automatyka została zablokowana przez polecenie "Zablokuj automatykę"	Odblokuj automatykę wysyłając polecenie "Odblokuj automatykę".

TABELA 11 - Sygnalizacje diod w centrali sterującej (rys. 14)

Dioda	Problem	Rozwiązanie
BLUEBUS Zgaszona	Anomalia	Sprawdź, czy centrala jest zasilana; sprawdź bezpieczniki. Jeśli są przepalone, sprawdź przyczynę uszkodzenia i wymień bezpieczniki na inne, o tej samej wartości
Świeci	Poważna anomalia	Nastąpił poważny problem: spróbuj odłączyć i po chwili włączyć zasilanie centrali. Jeżeli nie pomoże - wymień centralę
1 błysk na sekundę	Wszystko prawidłowe	Prawidłowe funkcjonowanie centrali
2 szybkie błyski	Zmiana stanu wejść	Stan prawidłowy, jeżeli na jednym z wejść (P.P., STOP, OPEN, CLOSE) nastąpi zmiana lub zadziałanie fotokomórek lub wysłanie polecenia z nadajnika
Seria błysków z przerwą 1 - sekundową	Różne	Odwołaj się do Tabeli 10
STOP Zgaszona	Zadziałanie urządzeń podłączonych do wejścia STOP	Sprawdź urządzenia podłączone do wejścia STOP
Świeci	Wszystko prawidłowo	Wejście STOP w stanie czuwania
P.P. Zgaszona	Wszystko prawidłowe	Wejście P.P. nieaktywne
Świeci	Zadziałanie wejścia P.P.	Stan prawidłowy, jeśli urządzenie podłączone do wejścia P.P. wysłało właśnie sygnał
OPEN Zgaszona	Wszystko prawidłowe	Wejście OPEN nieaktywne
Świeci	Zadziałanie wejścia OPEN	Stan prawidłowy, jeśli urządzenie podłączone do wejścia OPEN wysłało właśnie sygnał
L1 - L2 Wolne miganie	Zmiana ilości urządzeń odłączonych do Bluebus lub rozpoznawanie urządzenia nie wykonane	Wykonaj rozpoznawanie urządzeń (przeczytaj paragraf 4.5)
L3 - L4 Wolne miganie	Zmiana podczas rozpoznawania typu siłowników lub pozycji ograniczników mechanicznych	Wykonaj rozpoznawanie (przeczytaj paragraf 4.6)
L5 Wolne miganie	Wszystko prawidłowe	Wyjściu ELS została przydzielona funkcja odmienna od "elektrozamka" i "światelka nocnego".
L7 Wolne miganie	Wszystko prawidłowe	Wejściom K.K. (Krok po kroku) i OPEN (Otwórz) została przydzielona kombinacja funkcji odmienna od "Krok po kroku" i "Otwarcie częściowe 1" lub od "otwarcie" i "zamknięcie".
L8 Wolne miganie	Wszystko prawidłowe	Wyjściu FLASH została przydzielona funkcja odmienna od "Lampa ostrzegawcza" i "kontrolka bramy otwartej".

PL

TABELA 12 - Historia anomalii

01. Wciśnij i przytrzymaj przycisk "Set" przez około 3 sekundy;	
02. Zwolnij przycisk, kiedy dioda "L1" zacznie migać;	
03. Wciśnij przycisk "◀" lub "▶" aby przesunąć się z migającej diody L1 na diodę L8 (Wykaz anomalii);	
04. Wciśnij i przytrzymaj przycisk "Set" aż do zakończenia punktu 06;	
05. Odczekaj około 3 sekundy, dopóki nie zaświecą się diody, które reprezentują manewry, w czasie których nastąpiły anomalie. Dioda L1 wskazuje wynik ostatniego wykonanego manewru a dioda L8 wskazuje ósmy (najdawniejszy) manewr. Jeżeli dioda świeci się oznacza to, że wystąpiły anomalie, jeśli natomiast dioda nie świeci się wszystkie operacje zostały wykonane prawidłowo;	
06. Wciśnij przyciski "◀" i "▶" aby wybrać dany manewr: dioda odpowiadająca temu manewrowi wykona ilość błysków równą ilości błysków wykonywanych zwykle przez lampę ostrzegawczą - przy danej usterce;	
07. Zwolnij przycisk "Set".	

8 ROZSZERZENIE WIADOMOŚCI

Dla motoreduktora HOPP są przewidziane następujące akcesoria (opcjonalne): odbiorniki z rodziny SMXI, OXI, programator Oview, panel słoneczny Solemyo i akumulator awaryjny mod. PS124.

8.1 - Podłączenie odbiornika radiowego

Centrala sterująca zawiera złącze umożliwiające podłączenie odbiorników radiowych (urządzenie opcjonalne), należących do rodziny SMXI, OXI. Aby pod-

łączyć odbiornik odłącz zasilanie elektryczne od centrali i postępuj jak pokazano na rys. 16. W Tabeli 13 i Tabeli 14 są zamieszczone polecenia odpowiadającym kolejnym wyjściom odbiornika radiowego.

8.2 - Podłączenie i instalacja akumulatora rezerwowego mod. PS124

UWAGA! - Podłączenie elektryczne akumulatora do centrali musi być wykonane tylko po zakończeniu wszystkich etapów montażu i programowania, ponieważ akumulator spełnia funkcję zasilania awaryjnego.

Aby zainstalować i podłączyć akumulator, należy postępować zgodnie z fazami montażowymi pokazanymi na rys. 17.

TABELA 13

SMXI / SMXIS oppure OXI / OXIFM / OXIT / OXITFM w trybie I lub II

Wyjście Nr. 1	Polecenie "K.K." (Krok po kroku)
Wyjście Nr. 2	Polecenie "otwarcie częściowe 1"
Wyjście Nr. 3	Polecenie "Otwarcie"
Wyjście Nr. 4	Polecenie "Zamknięcie"

TABELA 14 - OXI / OXIFM / OXIT / OXITFM w trybie II poszerzonym

Nr.	Polecenie	Opis
1	Krok po Kroku	Polecenie "K.K." (Krok po kroku)
2	Otwarcie częściowe 1	Polecenie "Otwarcie częściowe 1"
3	Otwarcie	Polecenie "Otwarcie"
4	Zamknięcie	Polecenie "Zamknięcie"
5	Stop	Zatrzymanie manewru
6	Krok po kroku w bloku mieszkalnym	Działanie w trybie "bloku mieszkalnego"
7	Krok po kroku z dużym priorytetem	Działa również w przypadku zablokowania automatyki lub przy innym, podtrzymanym sygnale sterującym
8	Otwarcie częściowe 2	Otwieranie częściowe (otwarcie skrzydła 2, równe 1/2 całkowitego otwarcia)
9	Otwarcie częściowe 3	Otwieranie częściowe (otwarcie dwóch skrzydeł, równe 1/2 całkowitego otwarcia)
10	Otwarcie i Zablokowanie automatyki	Powoduje wykonanie manewru otwarcia a po jego zakończeniu zablokowanie automatyki; centrala nie akceptuje żadnego innego polecenia za wyjątkiem "Krok po kroku z dużym priorytetem", "Odblokuj" lub (tylko z Oview) następujące polecenia: "Odblokowanie i zamknięcie" i "Odblokowanie i otwarcie"
11	Zamknięcie i Zablokowanie automatyki	Powoduje wykonanie manewru zamknięcia a po jego zakończeniu zablokowanie automatyki; centrala nie akceptuje żadnego innego polecenia za wyjątkiem "Krok po kroku z dużym priorytetem", "Odblokuj" lub (tylko z Oview) następujące polecenia: "Odblokowanie i zamknięcie" i "Odblokowanie i otwarcie"
12	Zablokowanie automatyki	Powoduje zatrzymanie manewru i zablokowanie automatyki; centrala nie akceptuje żadnego innego polecenia za wyjątkiem "Krok po kroku z dużym priorytetem", "Odblokuj" lub (tylko z Oview) następujące polecenia: "Odblokowanie i zamknięcie" i "Odblokowanie i otwarcie"
13	Odblokowanie automatyki	Powoduje odblokowanie automatu i przywrócenie zwykłego funkcjonowania
14	Włączenie timera światelka nocnego	Włącza się wyjście "światelko nocne", którego wyłączenie jest regulowane timerem
15	Włączenie-Wyłączenie światelka nocnego	Wyjście "światelko nocne" włącza się i wyłącza w trybie 2krok po kroku"

8.3 - Podłączenie programatora Oview

Na centrali umieszczona jest wtyczka BusT4, do której można podłączyć jednostkę programującą Oview, która pozwala na całkowite i szybkie kierowanie fazą instalacyjną, konserwacyjną i diagnostyczną całej automatyki. Aby uzyskać dostęp do wtyczki należy koniecznie postępować zgodnie z wskazówkami zamieszczonymi na rys. 18 i podłączyć wtyczkę do odpowiedniego gniazda. Oview może zostać podłączony do kilku Centrali jednocześnie (aż do 5 bez szczególnych zaleceń, aż do 60 - przestrzegając stosownych zaleceń) i może pozostać podłączony do centrali, także podczas normalnego działania automatyki. W takim przypadku można użyć, w celu bezpośredniego wysłania poleceń do centrali, specjalnego menu "użytkownik". Możliwe jest również dokonanie uaktualnienia Firmware. Jeśli w centrali znajduje się odbiornik radiowy należący do rodziny OXI, używając Oview można uzyskać dostęp do parametrów nadajników zapisanych przez odbiornik.

8.4 - Podłączenie systemu zasilania energią słoneczną Solemyo

UWAGA! – W przypadku, kiedy automatyka jest zasilana przez system "Solemyo", NIE MOŻE BYĆ ZASILANA jednocześnie z sieci elektrycznej.

Aby uzyskać więcej informacji dotyczących systemu Solemyo odwołaj się do odpowiedniej instrukcji obsługi.

Aby podłączyć system Solemyo postępuj jak pokazano na rys. 19.

8.5 - Podłączenie zewnętrznego systemu odblokowującego Kio (rys. 20)

UWAGA! – System Kio musi zostać podłączony do motoreduktora, który rusza jako pierwszy do otwierania (startując z położenia brama zamknięta).

01. Zdejmij plastikową pokrywę (1);
02. Włóż sworzeń (3) do otworu wału odblokowującego (2);
03. Przelóż stalowy przewód (7) najpierw przez śrubę (4, następnie przez specjalny otwór (5) i włóż do otworu w sworzniu (3);
04. Zaczep dwa końce sprężyny (6) jak pokazano na rysunku;
05. Zablokuj przewód dokręcając specjalną śrubę (4);
06. Przelóż drugi koniec przewodu przez jeden z dwóch otworów, znajdujących się w dolnej części motoreduktora;
07. Załóż plastikową pokrywę (1);
08. Teraz podłącz przewód do Kio nawiązując do odpowiednich instrukcji obsługi.

9 KONSERWACJA PRODUKTU

W celu utrzymania stałego poziomu bezpieczeństwa i zagwarantowania maksymalnej trwałości całego systemu automatyki, konieczna jest regularna konserwacja.

Konserwacja powinna zostać przeprowadzona, zgodnie z zaleceniami dotyczącymi bezpieczeństwa, opisanymi w niniejszej instrukcji obsługi oraz obowiązującymi przepisami i normami.

System należy poddawać częstym testom, w celu sprawdzenia, czy występują braki równowagi skrzydeł, oznaki zużycia lub uszkodzenia przewodów. Nie używać automatyki, jeśli wymaga ona regulacji lub naprawy.

Ważne – Podczas konserwacji lub czyszczenia produktu, należy odłączyć centralę od zasilania elektrycznego i od baterii, o ile występują.

Odnosnie innych urządzeń znajdujących się w systemie, należy postępować zgodnie z odpowiednimi planami konserwacji.

Dla siłowników HO7124, HO7224 konieczna jest konserwacja planowa, maksymalnie co 6 miesięcy lub 20 000 manewrów od poprzedniej konserwacji.

Aby przeprowadzić konserwację należy postępować w sposób następujący:

01. Odłączyć wszystkie źródła zasilania elektrycznego, wraz z ewentualnymi akumulatorkami rezerwowymi;
02. Sprawdzić stan zużycia uchwytów i kołków rozporowych ze szczególnym zwróceniem uwagi na erozję i utlenianie części; wymienić te części, których stan nie daje wystarczającej gwarancji użytkowej;

03. Wykonać próbę odblokowania, aby sprawdzić ich prawidłową pracę, zobacz paragraf 3.6.

04. Podłączyć ponownie źródła zasilania elektrycznego i przeprowadzić wszystkie testy i kontrole przewidziane w rozdziale 5 - Odbiór techniczny.

UTYLIZACJA PRODUKTU

Produkt ten jest integralną częścią automatyki i w związku z tym musi być poddany utylizacji razem z nią.

Podobnie jak przy instalacji, także przy zakończeniu użytkowania niniejszego produktu czynności utylizacji powinny być wykonane przez personel wykwalifikowany.

Niniejszy produkt składa się z różnego rodzaju materiałów: niektóre z nich mogą być powtórnie użyte, inne muszą zostać poddane utylizacji. Należy zasięgnąć informacji o systemach wtórnego przerobu i utylizacji, przewidzianych przez lokalne przepisy dla tej kategorii produktu.

Uwaga! – Niektóre elementy produktu mogą zawierać substancje szkodliwe lub niebezpieczne, które pozostawione w otoczeniu mogłyby zaszkodzić środowisku lub zdrowiu ludzkiemu.

Zgodnie ze wskazaniem symbolu na rysunku obok, zabronione jest wyrzucanie tego produktu razem z odpadami domowymi. W celu utylizacji produktu należy przeprowadzić "segregację odpadów" na potrzeby utylizacji, według metod przewidzianych przez lokalne przepisy, lub zwrócić produkt sprzedawcy podczas zakupu nowego, równorzędnego produktu.



Uwaga! – lokalne przepisy mogą przewidywać poważne sankcje w przypadku samodzielnej likwidacji tego produktu.

Utylizacja akumulatorka rezerwowego (jeśli występuje)

Uwaga! – Rozładowany akumulator zawiera substancje zanieczyszczające i dlatego nie można wyrzucać go do odpadów miejskich.

Należy poddać go utylizacji, używając metod "sortowania" odpadów. zgodnie z obowiązującymi normami na danym terytorium

PARAMETRY TECHNICZNE URZĄDZENIA

ZALECENIA: • Wszystkie podane parametry techniczne dotyczą temperatury środowiskowej 20°C (± 5°C). • Firma Nice S.p.a. zastrzega sobie prawo do wprowadzenia zmian do urządzenia w każdej chwili, kiedy uzna je za konieczne, zachowując te same funkcje i przeznaczenie.

	HO7124	HO7224
Typ	Motoreduktor elektromechaniczny do bram i drzwi automatycznych z silnikiem na prąd stały, przekładnią planetarną i odblokowaniem mechanicznym. Wbudowana centrala sterująca i odbiornik radiowy OXI	Motoreduktor elektromechaniczny do bram i drzwi automatycznych z silnikiem na prąd stały, przekładnią planetarną i odblokowaniem mechanicznym.
Maksymalny moment obrotowy	250 Nm	
Znamionowy moment obrotowy	100 Nm	
Prędkość bez obciążenia	0,17 rad/s (1,6 obr/min)	
Prędkość przy znamionowym momencie obrotowym	0,13 rad/s (1,2 obr/min)	
Maksymalna częstotliwość cykli *	35 cykli/godzinę	
Maksymalny czas pracy ciągłej **	10 minut	
Ograniczenia zastosowania	urządzenie może być stosowane w bramach o ciężarze skrzydła do 250 kg i długości do 1,5 m oraz ciężarze do 160 kg i długości do 1,4 m	
Trwałość	Szacowany okres trwania pomiędzy 80.000 a 250.000 cykli, w zależności od warunków przedstawionych w Tabeli 15 i na Schemacie 3	
Zasilanie	230 V~ (120 V~ dla wersji HO7124/V1) ±10%; 50/60 Hz	24 V=== (±25%)
Zasilanie awaryjne	przystosowanie dla akumulatora awaryjnego PS124	
Zasilanie dostarczane przez panele słoneczne	przystosowanie dla zestawu SYKCE	
Maksymalna moc pobierana przy znamionowym momencie obrotowym	170 W	50 W
Moc szczytowa	280 W	100 W
Prąd znamionowy pobierany	0,8 A (1,6 A dla wersji HO7124/V1)	2 A
Maksymalny prąd pobierany	1,3 A (2,6 A dla wersji HO7124/V1)	4 A (przez maksymalny czas 1 s)
Moc pobierana w "Stanie czuwania Całego urządzenia" z zasilaniem dostarczonym przez PS124 lub zestaw SYKCE (włącznie z odbiornikiem OXI)	poniżej a 100 mW	
Wyjście lampy ostrzegawczej ***	jedna lampa ostrzegawcza LUCYB (żarówka 12 V===, 21 W)	
Wyjście elektrozamek ***	jeden elektrozamek 12 V~ max 15 VA	
Wyjście BLUEBUS	jedno wyjście z maksymalnym obciążeniem 15 urządzeń Bluebus, (maksymalnie 6 par fotokomórek MOFB lub MOFOB + 2 pary fotokomórek MOFB lub MOFOB, adresowanych jako urządzenia otwierające + maksymalnie 4 urządzenia sterujące MOMB lub MOTB)	
Wejście STOP	przeznaczone dla styków normalnie zamkniętych, normalnie otwartych lub o stałej oporności 8,2 kΩ; wybór typu następuje w trybie automatycznego rozpoznawania, zmiana w stosunku do stanu wczytanego powoduje wysłanie polecenia "STOP"	
Wejście PP	przeznaczone dla styków normalnie otwartych (zamknięcie styku powoduje wydanie polecenia Krok po Kroku)	
Wejście OPEN	dla styków normalnie otwartych (zamknięcie styku powoduje wydanie polecenia Otwarcie Częściowe 1)	
Złącze radiowe	złącze typu SM przeznaczone dla odbiorników z rodziny SMXI, OXI i OXIFM	
Wejście ANTENA	Radiowa 50 Ω dla kabla typu RG58 lub podobnych	
Funkcje programowalne	8 funkcji typu ON-OFF (Tabela 5) i 8 funkcji regulowanych (Tabela 6)	
Funkcje z automatycznym rozpoznawaniem	<ul style="list-style-type: none"> • Automatyczne rozpoznawanie urządzeń podłączonych do wyjścia BlueBus. • Automatyczne rozpoznawanie typu urządzenia podłączonego do zacisku "STOP" (styk NO, NC lub o stałej oporności 8,2 kΩ). • Automatyczne rozpoznawanie ruchu skrzydeł bramy oraz automatyczne obliczanie punktów zwalniania i otwierania częściowego. • Automatyczne rozpoznawanie funkcjonowania z zastosowaniem jednego lub dwóch silników 	
Montaż	W pozycji pionowej, z zastosowaniem odpowiedniej płytki mocującej	
Temperatura funkcjonowania	od -20°C do +50°C (w niskich temperaturach skuteczność motoreduktora zmniejsza się)	
Używanie w atmosferze szczególnie kwaśnej, słonej lub potencjalnie wybuchowej	NIE	
Stopień zabezpieczenia	IP 54 (z nienaruszoną obudową)	
Wymiary (mm)	180 x 252 x 290 wys.	
Ciężar (kg)	9	6,5

[*] Częstotliwość cykli przy maksymalnej temperaturze: 25 cykli/godzinę

[**] Maksymalny czas trwania cyklu ciągłego przy maksymalnej temperaturze: 8 minut

[***] Wyjścia „Lampa ostrzegawcza” i „Elektrozamek” mogą być programowane z innymi funkcjami (patrz „TABELA 5 - Funkcje 1-go poziomu”; lub z zastosowaniem programatora Oview, przeczytaj rozdział 8.3). Parametry elektryczne wyjść dostosowują się w zależności od wybranego typu funkcji: • funkcja lampa ostrzegawcza: żarówka 12 V===, 21 W max; • funkcja elektrozamek: 12 V~ 15 VA max; • inne wyjścia (wszystkie rodzaje): 1 żarówka lub przekaźnik 24 V=== (-30 i +50%), 4 W max.

TRWAŁOŚĆ URZĄDZENIA

Trwałość urządzenia to jego średni, ekonomicznie uzasadniony okres eksploatacji. Okres trwałości urządzenia jest silnie uzależniony od wskaźnika uciążliwości manewrów wykonywanych przez automatykę; czyli od sumy wszystkich czynników, które wpływają na zużycie urządzenia (patrz Tabela 15).

Aby ustalić prawdopodobny okres trwałości Twojej automatyki postępuj w następujący sposób:

01. Oblicz wskaźnik uciążliwości sumując wartości procentowe pozycji znajdujących się w **Tabeli 15**;

02. Na **Wykresie 3** wyznacz linię pionową od właśnie obliczonej wartości do przecięcia z krzywą wykresu; od tego punktu wyznacz linię poziomą do linii "ilości cykli". Obliczona wartość jest oszacowaną trwałością Twojego urządzenia.

Szacowanie trwałości urządzenia jest wykonywane na podstawie obliczeń projektowych oraz wyników prób wykonywanych na prototypach. Ponieważ jest to tylko szacowanie nie daje ono żadnej gwarancji rzeczywistej trwałości urządzenia.

Przykład obliczeń trwałości motoreduktora HOPP (odwołaj się do Tabeli 15 oraz do Wykresu 3):

- długość skrzydła = 1,3 m (wskaźnik uciążliwości: 15%);
- ciężar skrzydła: 180 Kg (wskaźnik uciążliwości: 30%);
- pełne skrzydło (wskaźnik uciążliwości: 15%);
- Wskaźnik całkowitej uciążliwości = 60%;
- Trwałość oszacowana = 100.000 cykli

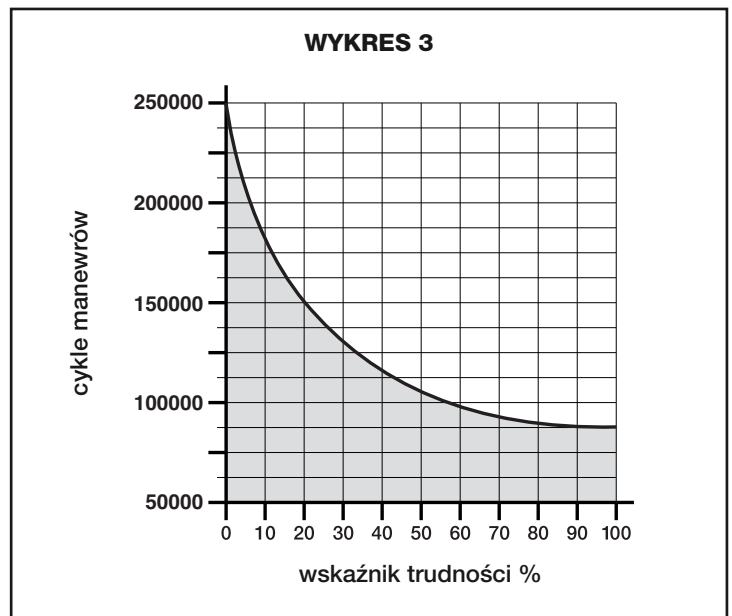


TABELA 15		
		Wskaźnik uciążliwości
Długość skrzydła	< 1,0 m	-
	1,0 - 1,5 m	15%
	1,5 - 2,4 m	20%
Ciężar skrzydła	< 100 kg	-
	100 - 150 kg	20%
	150 - 250 kg	30%
Temperatura środowiskowa powyżej 40°C lub poniżej 0°C lub wilgotność większa od 80%		20%
Pełne skrzydło		15%
Instalowanie urządzenia w strefie wietrznej		15%
<i>Uwaga – Podane dane dotyczą równoważonej bramy dwuskrzydłowej, podlegającej prawidłowej eksploatacji i konserwacji</i>		

DEKLARACJA ZGODNOŚCI CE i deklaracja włączenia „maszyna nieukończona”

Deklaracja zgodna z następującymi Dyrektywami: 2004/108/WE (EMC); 2006/42/WE (MD) załącznik II, część B

Uwaga - Zawartość niniejszej deklaracji zgodności odpowiada oświadczeniom znajdującym się w dokumencie urzędowym złożonym w siedzibie firmy Nice S.p.a., a w szczególności w ostatniej korekcie dostępnej przed wydrukowaniem tej instrukcji. Tekst w niej zawarty został dostosowany w celach wydawniczych. Kopia oryginalnej deklaracji może być zamawiana w firmie Nice S.p.a. (TV) I.

Numer deklaracji: 376/HOPP

Wydanie: 0

Język: PL

Nazwa producenta: NICE S.p.A.
Adres: Via Pezza Alta Nr 13, 31046 Rustignè di Oderzo (TV) Italy
Osoba autoryzowana do przygotowania dokumentacji technicznej: Pan Oscar Marchetto
Adres: Via Pezza Alta Nr 13, 31046 Rustignè di Oderzo (TV) Italy
Typ urządzenia: Motoreduktor elektromechaniczny "HOPP" z wbudowaną centralą
Model / Typ: HO7124, HO7224
Akcesoria: SMXI, OXI, PS124, Oview

Niżej podpisany Luigi Paro, w charakterze Członka Zarządu Spółki oświadcza na własną odpowiedzialność, że urządzenie wyżej wymienione jest zgodne z rozporządzeniami ustalonymi w następujących dyrektywach:

- Dyrektywa 2004/108/WE PARLAMENTU EUROPEJSKIEGO I RADY z dnia 15 grudnia 2004 roku, dotycząca zbliżenia legislacyjnego krajów członkowskich w odniesieniu do kompatybilności elektromagnetycznej, która uchyla dyrektywę 89/336/EWG zgodnie z następującymi normami zharmonizowanymi:
EN 61000-6-2:2005, EN 61000-6-3:2007

Ponadto urządzenie jest zgodne z następującą dyrektywą, zgodnie z wymogami przewidzianymi dla "maszyn nieukończonych":

- Dyrektywa 2006/42/WE PARLAMENTU EUROPEJSKIEGO I RADY z dnia 17 maja 2006 roku, dotycząca maszyn, która modyfikuje dyrektywę 95/16/WE (przekształcenie)
 - Oświadcza się, że omawiana wyżej dokumentacja techniczna została przygotowana zgodnie z załącznikiem VII B dyrektywy 2006/42/WE oraz że jest ona zgodna z następującymi wymogami podstawowymi:
1.1- 1.1.2- 1.1.3- 1.2.1-1.2.6- 1.5.1-1.5.2- 1.5.5- 1.5.6- 1.5.7- 1.5.8- 1.5.10- 1.5.11
 - Producent zobowiązuje się do przekazania władzom krajowym, w odpowiedzi na umotywowane żądanie, informacji dotyczących "maszyny nieukończonyj", zachowując nienaruszone prawa własności intelektualnej.
 - W przypadku, kiedy "maszyna nieukończonyj" została wprowadzona do użytku w kraju europejskim, w którym język obowiązujący jest inny od języka używanego w tej deklaracji, obowiązkiem importera jest załączenie tłumaczenia do niniejszej deklaracji.
 - Ostrzega się, że "maszyna nieukończonyj" nie może zostać wprowadzona do użytku, dopóki nie zostanie wcześniej zadeklarowana zgodność maszyny końcowej, do której zostanie włączona, z zaleceniami dyrektywy 2006/42/WE (o ile dotyczy).

Ponadto urządzenie jest zgodne z następującymi normami:

EN 60335-1:2002 + A1:2004 + A11:2004 + A12:2006 + A2:2006 + A13:2008
EN 60335-2-103:2003

Urządzenie jest zgodne, w sposób ograniczony dla zastosowanych elementów, z następującymi normami:

EN 13241-1:2003, EN 12445:2002, EN 12453:2002, EN 12978:2003

Oderzo, dnia 24 stycznia 2011 roku

Inż. Luigi Paro (Członek Zarządu Spółki)



Inhoudsopgave

1 - ALGEMENE AANBEVELINGEN EN VOORZORGSMAATREGELEN	1
1.1 - Aanbevelingen voor de veiligheid	1
1.2 - Aanbevelingen voor de installatie	1
1.3 - Aanbevelingen voor het gebruik	1
2 - BESCHRIJVING VAN HET PRODUCT EN GEBRUIKSBESTEMMING	1
3 - INSTALLATIE	2
3.1 - Controles voorafgaand aan de installatie	2
3.2 - Gebruikslimieten	2
3.3 - Werkzaamheden ter voorbereiding van de installatie	2
3.4 - Installatie van de reductiemotor mod. HO7124 - HO7224	2
3.5 - Instelling van de mechanische eindaanslagen	3
3.6 - Handmatig ontgrendelen en vergrendelen van de reductiemotor	3
4 - ELEKTRISCHE AANSLUITINGEN	3
4.1 - Elektrische aansluitingen van de reductiemotoren	3
4.2 - Aansluiting van andere inrichtingen	3
4.3 - Adressering van de aangesloten inrichtingen	4
4.4 - Eerste inschakeling en controle van de aansluitingen	4
4.5 - Zelflering van de aangesloten inrichtingen	4
4.6 - Zelflering van de posities van de mechanische stops	4
4.7 - Controle van de beweging van de vleugels van de poort	5
5 - EINDTEST EN INBEDRIJFSTELLING	5
5.1 - Eindtest	5
5.2 - Inbedrijfstelling	5
6 - PROGRAMMERING VAN DE BESTURINGSEENHEID	6
6.1 - Programmering eerste niveau (ON-OFF)	6
6.2 - Programmering tweede niveau (instelbare parameters)	6
6.3 - Speciale functies	8
6.4 - Wissen van het geheugen	8
7 - WAT TE DOEN ALS...(handleiding voor het oplossen van problemen)	9
8 - VERDERE DETAILS	10
8.1 - Aansluiting van een radio-ontvanger	10
8.2 - Aansluiting en installatie van de bufferbatterij mod. PS124	10
8.3 - Aansluiting van de Oview programmeereenheid	11
8.4 - Aansluiting van het zonne-energiesysteem Solemyo	11
8.5 - Aansluiting voor het systeem voor externe ontgrendeling Kio	11
9 - ONDERHOUD VAN HET PRODUCT	11
AFDANKEN VAN HET PRODUCT	11
TECHNISCHE GEGEVENS VAN HET PRODUCT	12
Duur van het product	13
EG-VERKLARING VAN OVEREENSTEMMING	14
BIJLAGE	I
Instructies en aanbevelingen voor de gebruiker	VIII
Afbeeldingen	IX

1 WAARSCHUWINGEN EN ALGEMENE VOORZORGSMAATREGELEN

1.1 - Veiligheidswaarschuwingen

- **LET OP!** – Deze handleiding bevat belangrijke instructies en waarschuwingen voor de veiligheid. Een verkeerde installatie kan ernstig letsel veroorzaken. Voordat u met het werk begint, moet de handleiding aandachtig helemaal worden doorgelezen. In geval van twijfel stopt u met installeren en vraagt u de servicedienst van Nice om uitleg.
- **LET OP!** – Belangrijke aanwijzing: bewaar deze instructies voor eventuele onderhoudswerkzaamheden en om het product af te danken.
- **LET OP!** – Volgens de meest recente Europese wetgeving moet een automatische deur of hek de voorschriften van de richtlijn 2006/42/EG (ex 98/37/EG) (Machinerichtlijn) in acht nemen en in het bijzonder de voorschriften EN 12445; EN 12453; EN 12635 en EN 13241-1, waarmee de conformiteit van de automatisering kan worden verklaard. **Met het oog hierop, mogen alle werkzaamheden betreffende de installatie, de aansluiting, het testen en het onderhoud van het product uitsluitend door een erkende vakman worden verricht!**

1.2 - Waarschuwingen voor de installatie

- Voordat u met de installatie begint, controleert u of het aanwezige product geschikt is voor het gewenste gebruik (zie "Gebruiksbeperkingen" paragraaf 3.2 en de "Technische kenmerken van het product"). Ga NIET over tot de installatie, als het niet geschikt is.
- De inhoud van deze handleiding heeft betrekking op een typische installatie zoals beschreven in **afb. 3**.
- **Alle installatie- en onderhoudswerkzaamheden moeten worden verricht bij van het elektriciteitsnet gekoppelde automatisering.** Als de ontkoppelinrichting van de voeding niet zichtbaar is vanaf de plaats waar het automatische systeem is geplaatst, moet er voordat met het werk begonnen wordt een bord op de ontkoppelinrichting worden bevestigd met het opschrift "LET OP! ONDERHOUD IN UITVOERING".
- De besturingseenheid moet op een elektrische voedingslijn voorzien van aarding worden aangesloten.
- Behandel het product tijdens de installatie met zorg en voorkom dat het wordt geplet, er tegen wordt gestoten, dat het valt, of in aanraking komt met welke vloeistoffen dan ook. Zet het product niet in de buurt van warmtebronnen en stel het niet bloot aan open vuur. Hierdoor kan het beschadigd worden, waardoor storingen of gevaarlijke situaties kunnen ontstaan. Als dit mocht gebeuren, stopt u de installatie onmiddellijk en wendt u zich tot de Servicedienst van Nice.
- Wijzig geen enkel deel van het product. Niet toegestane werkzaamheden kunnen alleen storingen veroorzaken. De fabrikant wijst elke vorm van aansprakelijkheid af voor schade veroorzaakt door willekeurige wijzigingen aan het product.
- Als het hek of de poort, die moet worden geautomatiseerd, van een voetgangersdeur is voorzien, moet de installatie een controlesysteem krijgen, dat de werking van de motor blokkeert als de voetgangersdeur open is.
- Het verpakkingsmateriaal van het product moet met inachtneming van de plaatselijke voorschriften worden weggegooid.

1.3 - Waarschuwingen voor het gebruik

- Het is niet de bedoeling dat dit product wordt gebruikt door personen (kinderen hierbij inbegrepen) met verminderde lichamelijke, sensorische of geestelijke vermogens, of zonder voldoende ervaring en kennis, tenzij het onder toezicht van een voor hun veiligheid verantwoordelijke persoon wordt gebruikt, of hen door hem goede instructies zijn gegeven over het gebruik van het product.
- Er moet toezicht worden gehouden op kinderen, die zich in de buurt van de automatisering bevinden. Controleer of ze er niet mee spelen.
- Laat kinderen niet met vaste bedieningsinrichtingen spelen. Houd draagbare bedieningen (afstandsbedieningen) buiten het bereik van kinderen.

2 BESCHRIJVING VAN HET PRODUCT EN GEBRUIKSBESTEMMING

De inrichtingen waaruit dit product bestaat zijn ervoor bestemd om gebruikt te worden voor het automatiseren van hekken of poorten met draaivleugels voor gebruik bij woningen en in industriegebouwen. **LET OP!** – **Ieder gebruik dat afwijkt van hetgeen hier beschreven is en in andere omgevingscondities dan in deze handleiding zijn vermeld dient als oneigenlijk en dus als verboden te worden beschouwd!**

Het hoofdgedeelte van de automatisering wordt gevormd door één of twee elektromechanische reductiemotoren (afhankelijk van het aantal te automatiseren vleugels), die elk zijn uitgerust met een gelijkstroommotor en een reductiekast met rechte tanden. Eén van de reductiemotoren (mod. HO7124) is voorzien van een besturingseenheid die de werking ervan bestuurt. De besturingseenheid bestaat uit een kaart met een radio-ontvanger voor de ontvangst van de via de zender verzonden bedieningsinstructies. De besturingseenheid kan worden aangesloten op verschillende inrichtingen horend tot het systeem Opera, het systeem Bluebus en het voedingssysteem op zonne-energie Solemyo, zie hoofdstuk 8 - Verdere details. De besturingseenheid kan zijn voorzien van een bufferbatterij (mod. PS124, optioneel accessoire) die er bij een stroomuitval (black-out) garant voor staat dat de automatisering in de op de stroomuitval volgende uren nog enkele manoeuvres kan uitvoeren.

Bij uitval van de elektrische stroom kunnen de vleugels van het hek worden bewogen door de reductiemotor te ontgrendelen met de hiervoor bestemde sleutel, zie paragraaf 3.6.

Verdere beschikbare accessoires zijn de ontvangers die zijn voorzien van aansluiting "SM" (SMXI, OXI, etc.), zie hoofdstuk 8 - Verdere details.

3.1 - Aan de installatie voorafgaande werkzaamheden

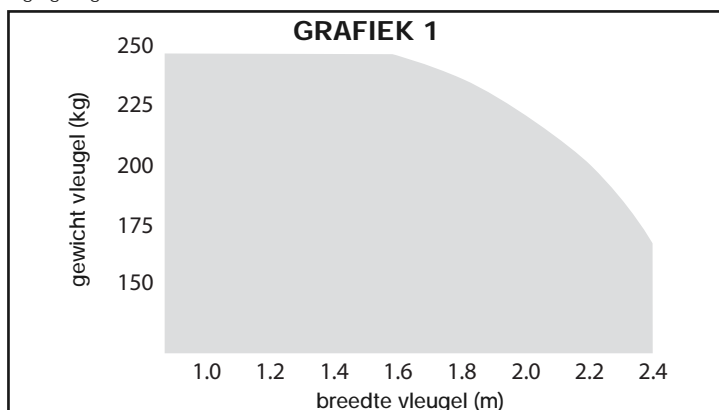
Voordat op de installatie wordt overgegaan, moet worden gecontroleerd of de onderdelen van het product heel zijn en of het gekozen model en installatiegebied geschikt zijn:

- Controleer of alle materiaal dat gebruikt moet worden zich in zeer goede staat bevindt en geschikt is voor het voorziene gebruik.
- Controleer of de mechanische aanslagen op de grond (niet bijgeleverd), zowel bij het sluiten als bij het openen in de installatie aanwezig zijn.
- Controleer of het frame van het hek geschikt is om te worden geautomatiseerd en voldoet aan de in het gebied geldende voorschriften (raadpleeg eventueel de gegevens op het etiket van het hek). Dit product kan geen hek automatiseren dat niet al efficiënt en veilig is. Bovendien kan het geen storingen opheffen, veroorzaakt door een verkeerde installatie van het hek of door slecht onderhoud ervan.
- Controleer of de werkomstandigheden van de inrichtingen compatibel zijn met de verklaarde gebruiksbepalingen (zie paragraaf 3.2).
- Beweeg de hekdeuren handmatig in de twee richtingen en verzeker u ervan dat de beweging op elk punt van de slag met constante wrijving plaatsvindt (er mogen geen punten zijn waarvoor meer of minder kracht nodig is).
- Zet de hekdeuren handmatig op een willekeurige stand. Laat ze los en verzeker u ervan dat ze zich niet verplaatsen.
- Controleer of het bevestigingsgebied van de reductiemotor compatibel is met de afmetingen van deze laatste (afb. 1).
- Verzeker u ervan dat er in het gebied waarin de reductiemotor moet worden geïnstalleerd voldoende ruimte is om de arm ervan helemaal te kunnen draaien.
- Verzeker u ervan dat er in de buurt van de reductiemotor voldoende ruimte is om de reductiemotor handmatig te deblokken (afb. 2).
- Verzeker u ervan dat de oppervlakken die gekozen zijn om de verschillende inrichtingen te installeren stevig zijn en een stevige bevestiging kunnen garanderen.
- Verzeker u ervan dat elke inrichting die moet worden geïnstalleerd zich op een beschermde plek bevindt, beschermd tegen per ongeluk stoten.
- Controleer of alle elektrische kabels, die gebruikt moeten worden van het type zijn, dat in tabel 1 staat.

3.2 - Gebruikslimieten

Alvorens over te gaan tot installatie van de reductiemotor, de volgende controles uitvoeren:

- controleer of de vleugel die u wilt voorzien van motoraandrijving binnen de limietwaarden uit **Grafiek 1** valt;
- **maximumbreedte** van de vleugel: **2,4 m** (met gewicht tot maximaal 160 kg);
- **maximumgewicht** van de vleugel: **250 kg** (met breedte tot maximaal 1,5 m);
- controleer de limietwaarden uit de tabel van de "Technische gegevens van het product";
- **minimumbreedte** van de ruimte die bestemd is voor de installatie van de reductiemotor: **170 mm**;
- De bevestigingsbeugel van de arm moet zich in een robuust gedeelte van de vleugel bevinden (bijvoorbeeld het frame), om een stevige en veilige bevestiging te garanderen.



3.3 - Werkzaamheden ter voorbereiding van de installatie

Op **afb. 3** ziet u een voorbeeld van een automatiseringsinstallatie die gerealiseerd is met componenten van Nice (sommige componenten zijn mogelijk niet aanwezig in de set):

- a - Reductiemotor met besturingseenheid mod. HO7124
- b - Reductiemotor zonder besturingseenheid mod. HO7224
- c - Knipperlicht MLBT
- d - Stel fotocellen mod. MOFB
- e - Digitaal toetsenbord (mod. MOTB) - Transponder-lezer (mod. MOMB) - Sleutelschakelaar (mod. MOSE)
- f - Stel zuilen voor fotocellen
- g - Mechanische stop sluitbeweging
- h - Elektrisch slot

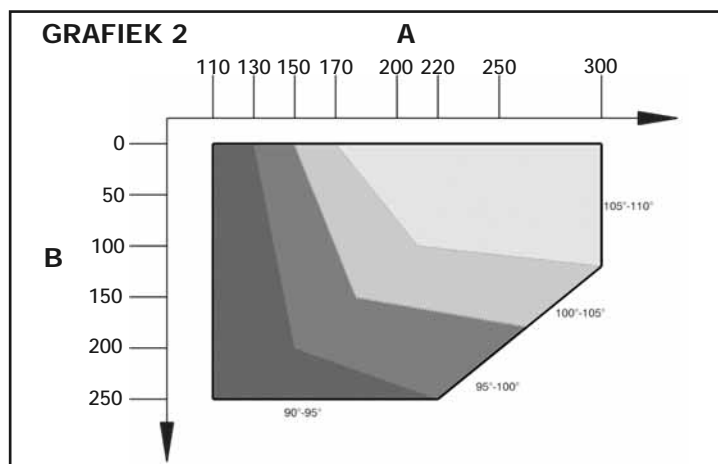
Deze onderdelen zijn geplaatst volgens een gebruikelijk standaardschema. Zie **afb. 3**, om bij benadering de plaats van installatie van elk onderdeel van het systeem te bepalen. **Belangrijk** – Prepareer, voordat u het product gaat installeren, de elektriciteitskabels die nodig zijn voor de installatie, zie **afb. 4** en "Tabel 1 - Technische gegevens van de elektriciteitskabels".

Let op – Gedurende het plaatsen van de buizen voor het doorvoeren van de elektriciteitskabels, dient u er rekening mee te houden dat als gevolg van water dat zich verzamelt in de putjes, in de verbindingssleidingen condens kan ontstaan die in het binnenste van de besturingseenheid terecht kan komen en daar schade aan de elektronische circuits kan veroorzaken.

3.4 - Installatie van de reductiemotor mod. HO7124 - HO7224 AANBEVELINGEN

- Een onjuiste installatie kan ernstig letsel toebrengen aan de personen die het werk verrichten en aan de personen die de installatie zullen gebruiken.
- Alvorens met de montage van de automatisering te beginnen, dient u de controles voorafgaand aan de installatie, beschreven in paragraaf 3.1 en 3.2, uit te voeren.

01. Meet de afstandswaarde "B" (afb. 5);
02. Zet de vleugel in de gewenste stand voor maximale opening en controleer of de gevonden waarde van de hoek binnen de in **Grafiek 2** vermelde waarden valt;
03. In **Grafiek 2**, bepaalt u, met de afstandswaarde "B" en de openingshoek, de afstandswaarde "A" (afb. 6). Voorbeeld: als "B" 100 mm bedraagt en de gewenste hoek gelijk is aan 100°, bedraagt de afstandswaarde "A" circa 180 mm.



04. Bevestig de bevestigingsbeugel van de reductiemotor aan de wand, in horizontale stand, zoals getoond op **afb. 7**: gebruik geschikte pluggen, schroeven en schijfjes (niet bijgeleverd);
05. Bevestig de reductiemotor aan de eerder gemonteerde beugel zoals te zien is op **afb. 7**: gebruik de bijgeleverde schroef M4,8x13;
06. Bevestig nu de gebogen arm aan de rechte arm met behulp van de pen en de stop-benzing (afb. 7-4); bevestig vervolgens de bevestigingsbeugel voor de vleugel van de poort aan de gebogen arm, met behulp van de pen en de stop-benzing (afb. 7-4);
07. Ontgrendel de reductiemotor met de hand (afb. 7-6), zie paragraaf 3.6;
08. Bepaal op dit punt de bevestigingszone van de beugel op de vleugel van de poort waarbij u de armen van de reductiemotor zo lang mogelijk maakt

TABEL 1 - Technische gegevens van de elektriciteitskabels (afb. 4)

Aansluiting	Type kabel	Maximaal toegestane lengte
A: Kabel voor STROOMTOEVOER BESTURINGSEENHEID	1 kabel 3 x 1,5 mm ²	30 m (opmerking 1)
B: Kabel ELEKTRISCH SLOT	1 kabel 2 x 1 mm ²	6 m
C: Kabel BLUEBUS INRICHTINGEN	1 kabel 2 x 0,5 mm ²	20 m (opmerking 2)
D: Kabel SLEUTELSCHAKELAAR	2 kabels 2 x 0,5 mm ² (opmerking 3)	50 m
E: Kabel voor STROOMTOEVOER REDUCTIEMOTOR	1 kabel 3 x 1,5 mm ²	10 m
F: Kabel KNIPPERLICHT met antenne	1 kabel 2 x 1 mm ²	20 m
	1 afgeschermd kabel type RG58	20 m (aanbevelen: minder dan 5 m)

Opmerking 1 – Als de voedingskabel langer dan 30 m is, dient een kabel met grotere doorsnede te worden gebruikt (3 x 2,5 mm²) en is het noodzakelijk in de nabijheid van de automatisering een veiligheidsaarding aan te brengen.

Opmerking 2 – Als de Bluebus kabel langer dan 20 m is, tot een lengte van maximaal 40 m, dient een kabel met een grotere doorsnede te worden gebruikt (2 x 1 mm²).

Opmerking 3 – Deze 2 kabels kunnen vervangen worden door 1 enkele kabel van 4 x 0,5 mm².

LET OP! – De gebruikte kabels moeten geschikt zijn voor het type omgeving waar de automatisering geïnstalleerd wordt.

(afb. 7-7): het is belangrijk de beugel te plaatsen op het punt dat het verst van de reductiemotor af ligt;

09. Boor een gat in de vleugel en bevestig de beugel met behulp van geschikte schroeven (niet bijgeleverd) (afb. 7-8, 7-9 en 7-10);
10. Alvorens de reductiemotor te blokkeren, dient u de afstelling van de mechanische eindaanslag van de openingsbeweging uit te voeren (paragraaf 3.5).

3.5 - Instelling van de mechanische eindaanslagen

01. Zet de vleugels van de poort met de hand in de maximale openingsstand;
02. Draai aan de plastic schijf op de onderkant van de reductiemotor en breng de sleuf onder de arm in de positie die te zien is op **afb. 8**;
03. Zet de eindaanslag in de eerst mogelijke stand: probeer hem te plaatsen zoals op **afb. 8** getoond is (openingsrichting);
04. Draai de schijf zodanig dat de eindaanslag niet valt en breng de sleuf in de positie die te zien is op **afb. 8**; voor een meer nauwkeurige afstelling, draait u aan de stelschroef (**afb. 8**);
05. Als de installatie niet is uitgerust met een sluitstop op de grond, is het noodzakelijk te procedureren te herhalen vanaf punt 01 om ook de eindaanslagen van de sluitmanoeuvre af te stellen;
06. Tot slot schroeft u de bevestigingsmoer van de schijf (**afb. 8**) volledig vast om te verzekeren dat de schijf niet per ongeluk kan draaien.

3.6 - Handmatig ontgrendelen en vergrendelen van de reductiemotor

De reductiemotor is uitgerust met een mechanisch ontgrendelingsstelsysteem dat het mogelijk maakt de poort handmatig te openen en te sluiten. Deze handmatige handelingen moeten worden uitgevoerd in het geval dat de stroom uitvalt, bij storingen in de werking of gedurende de installatie.

Ontgrendelen (afb. 9):

01. Steek de sleutel in;
02. Draai de sleutel tegen de klok in (180°);
03. Op dit punt is het mogelijk de vleugel met de hand in de gewenste positie te zetten.

Vergrendelen (afb. 10):

01. Draai de sleutel 180° met de klok mee;
02. Trek de sleutel eruit.

4 ELEKTRISCHE AANSLUITINGEN

De elektrische aansluiting van de verschillende inrichtingen (fotocellen, digitale toetsborden, lezers voor transpondercards etc.) van de automatisering op de besturingseenheid moet tot stand worden gebracht via het "Bluebus" systeem van Nice.

Beschrijving van de elektrische aansluitingen (afb. 11)

ANTENNE ingang voor de antenne van een radio-ontvanger

FLASH uitgang voor 1 knipperlicht met lampje van 12 V (maximaal 21 W). [*]

ELS uitgang voor elektrisch slot van 12 Vac (maximaal 15 VA). [*]

BLUEBUS ingang voor compatibele inrichtingen (MOFB, MOFOB, MOB en MOTB; parallele aansluiting van de inrichtingen door middel van 2 draden die zowel voor de stroomtoevoer als voor de communicatiesignalen dienen, er hoeft geen bepaalde polariteit te worden aangehouden. De elektrische aansluiting moet van het parallele type zijn en het is niet nodig om een bepaalde polariteit aan te houden. Gedurende de zelfleringfase zal elke op de besturingseenheid verbonden inrichting dankzij zijn eenduidige code apart door de besturingseenheid worden herkend. Iedere keer dat er een inrichting wordt verwijderd of toegevoegd, moet de deze inrichting eerst door de besturingseenheid worden 'herkend' (zelflering, paragraaf 4.5).

STOP ingang voor inrichtingen die met hun interventie een onmiddellijke onderbreking van de aan de gang zijnde manoeuvre gevolgd door een korte omkering, veroorzaken; mogelijkheid tot het aansluiten van contacten van het type NO (normaal open), NC (normaal gesloten) of van inrichtingen met uitgang met constante weerstand 8,2 kΩ (contactlijsten). Iedere met deze ingang verbonden inrichting wordt gedurende de zelfleringfase apart door de besturingseenheid 'herkend' (paragraaf 3.4); in deze fase veroorzaakt hij, als de besturingseenheid een willekeurige afwijking ten opzichte van de geleerde status detecteert, een STOP. Het is mogelijk op deze ingang één of meer, ook onderling van elkaar verschillende inrichtingen aan te sluiten:

- parallele aansluiting van meerdere NO inrichtingen, zonder beperkingen van het aantal;
- sluit meerdere in serie geschakelde NC inrichtingen aan, zonder beperking van aantal;
- parallele aansluiting van 2 inrichtingen met uitgang met constante weerstand 8,2 kΩ. Als er meer dan 2 inrichtingen zijn, dienen deze in cascade te worden aangesloten, met slechts 1 afsluitweerstand van 8,2 kΩ;
- sluit 2 inrichtingen NO en NC parallel aan, en sluit een weerstand van 8,2 kΩ (in serie aan met het contact NC (dit maakt ook de combinatie tussen 3 inrichtingen NO - NC en 8,2 kΩ mogelijk)

P.P. ingang voor bedieningsinrichtingen die bij activering de manoeuvre in modus Stap-voor-stap aansturen; mogelijkheid tot aansluiting van contacten van het type NO

OPEN ingang voor bedieningsinrichtingen die bij activering alleen de manoeuvre voor gedeeltelijke opening 1 aansturen; mogelijkheid tot aansluiting van contacten van het type NO

M uitgang voor reductiemotor zonder besturingseenheid (HO7224)

[*] De uitgangen FLASH, ELS. kunnen met andere functies geprogrammeerd worden (zie "TABEL 5 - Functies 1° niveau; of via de Oview programmeereenheid, zie paragraaf 8.3).

4.1 - Elektrische aansluitingen van de reductiemotoren

Let op! - Breng de elektrische aansluitingen pas tot stand nadat u de reductiemotor hebt geïnstalleerd.

AANBEVELINGEN!

- De aansluitwerkzaamheden mogen uitsluitend door gekwalificeerd personeel worden uitgevoerd.
- Bij het uitvoeren van elektrische aansluitingen mag de installatie absoluut niet op de netspanning zijn aangesloten en moet de bufferbatterij van de automatisering, indien aanwezig, zijn afgekoppeld.
- Op de elektrische voedingsleiding dient een inrichting te worden aangebracht dat volledige afkoppeling van de automatisering van het elektriciteitsnet verzekert. Deze afkoppelinrichting moet een dusdanige openingsafstand tussen de contacten hebben dat complete afkoppeling wordt verzekerd in de condities die worden voorgeschreven door de overspanningcategorie III, in overeenstemming met de installatievoorschriften.

01. Open het deksel van de reductiemotor (**afb. 12-1**);
02. Voer de voedingskabels en de andere elektriciteitskabels door het gat op de onderkant van de reductiemotor (**afb. 12-2**);
03. Sluit eerst de voedingskabel van de motor met besturingseenheid HO7124 aan: schroef de kabelklem (**afb. 12-3**) los en sluit de voedingskabel aan zoals te zien is op **afb. 12-4**; blokkeer de kabel vervolgens met de kabelklem (**afb. 12-5**);
04. Sluit nu de kabel aan die de motor zonder besturingseenheid (HO7224) voedt zoals te zien is op **afb. 13**;
05. Sluit tot slot de elektriciteitskabels van de verschillende inrichtingen aan, zie hiervoor **afb. 11** en paragraaf 4.3. *Opmerking - Om het aansluiten van de kabels te vergemakkelijken, is het mogelijk de klemmen uit hun behuizingen te halen;*
06. Zoek in **Tabel 2** de typologie die overeenstemt met de programmeren installatie en stel indien nodig op de besturingseenheid de keuzeschakelaar **JA** en de brug **JB** in zoals beschreven;
07. Sluit het deksel van de reductiemotoren (**afb. 12-6**) weer.

TABEL 2

	JA	JB
	JA	JB
	JA	JB
	JA	JB
	JA	JB
	JA	JB
	JA	JB
	JA	JB

4.2 - Aansluiting van andere inrichtingen

Als er nog andere inrichtingen in de installatie van stroom moet voorzien, bijvoorbeeld een lezer voor transpondercards of het lampje voor de verlichting van de sleutelschakelaar, is het mogelijk deze inrichtingen aan te sluiten op de

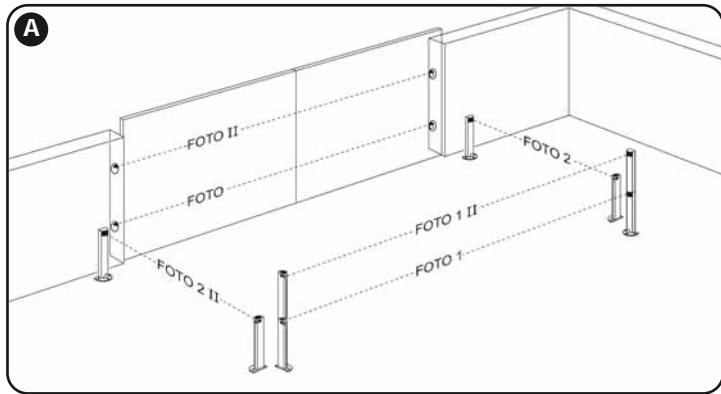
besturingseenheid, op de klemmen "P.P. (positief)" en "STOP (negatief)" (afb. 11). De voedingsspanning is 24 Vcc (-30% ÷ +50%) met een maximaal beschikbare stroom van 200 mA.

Opmerking – De spanning die beschikbaar is op de klemmen "P.P." en "STOP", blijft ook aanwezig wanneer de functie "Stand By" op de kaart geactiveerd wordt.

4.3 - Adressering van de aangesloten inrichtingen

Om de besturingseenheid in staat te stellen om de op het Bluebus systeem aangesloten inrichtingen te herkennen, dient u een adres aan deze inrichtingen te geven. Hiervoor dient de elektrische geleidebrug die in elke inrichting aanwezig is in de correcte positie te worden gebracht, zie de instructiehandleiding van de verschillende inrichtingen: zie **afb. A** en **Tabel 3**.

Raadpleeg voor de adressering van de andere inrichtingen de betreffende instructiehandleidingen. Na afloop van de installatieprocedure of na het verwijderen van fotocellen of andere inrichtingen, dient de zelffleringprocedure voor deze inrichtingen te worden uitgevoerd, zie de paragraaf 4.5.



TABEL 3 - ADRESSEN VAN DE FOTOCELLEN

Fotocel	Bruggen
FOTO Externe fotocel h = 50 met activering in sluitbeweging (onderbreking en omkering van de beweging)	
FOTO II Externe fotocel h = 100 met activering in sluitbeweging (onderbreking en omkering van de beweging)	
FOTO 1 Interne fotocel h = 50 met activering zowel in sluitbeweging (onderbreking en omkering van de beweging) als in openingsbeweging (onderbreking en hervatting van de beweging op het moment)	
FOTO 1 II Interne fotocel h = 100 met activering zowel in sluitbeweging (onderbreking en omkering van de beweging) als in openingsbeweging (onderbreking en hervatting van de beweging op het moment dat de fotocel weer vrij wordt gegeven)	
FOTO 2 Interne fotocel met activering in openingsbeweging (onderbreking en omkering van de beweging)	
FOTO 2 II Interne fotocel met activering in openingsbeweging (onderbreking en omkering van de beweging)	
FOTO 3 CONFIGURATIE NIET TOEGESTAAN	

4.4 - Eerste inschakeling en controle van de aansluitingen

Na de besturingseenheid onder spanning te hebben gezet, dient u de volgende controles uit te voeren:

- na enkele seconden, controleren of de led "Bluebus" (afb. 15) regelmatig knippert, met een frequentie van 1 maal per seconde;
- controleer of de led's van de fotocellen (afb. 15), zowel TX als RX, knipperen. De manier waarop de led's knipperen is in deze fase niet van belang;
- controleer of het knipperlicht dat is aangesloten op de uitgang FLASH uit is. Als dit allemaal niet gebeurt, dient de stroomtoevoer naar de besturingseenheid te worden uitgeschakeld en dient u de verschillende, eerder tot stand gebrachte, elektrische aansluitingen te controleren.

4.5 - Zelfflering van de aangesloten inrichtingen

Na de eerste inschakeling dient u de besturingseenheid de procedure voor herkenning van de met de ingangen "Bluebus" en "Stop" verbonden inrichtingen uit te voeren.

LET OP! – De zelffleringfase moet ook worden uitgevoerd als er geen enkele inrichting met de besturingseenheid is verbonden.

Dankzij de zelffleringprocedure is de besturingseenheid in staat de verschillende aangesloten inrichtingen apart te herkennen en de mogelijke aanwezige storingen te detecteren. Om deze reden dient de zelffleringprocedure iedere keer dat er een inrichting wordt toegevoegd of verwijderd te worden uitgevoerd.

De led's "L1" en "L2" op de besturingseenheid (afb. 15), zullen langzaam knipperen, om aan te geven dat de zelffleringprocedure moet worden uitgevoerd:

01. Druk de toetsen "◀" en "Set" (afb. 15) tegelijkertijd in en houd ze ingedrukt.
02. Laat de toetsen los wanneer de led's "L1" en "L2" snel beginnen te knipperen (na circa 3 seconden).
03. Wacht enkele seconden tot de besturingseenheid de fase voor zelfflering van de inrichtingen voltooid heeft.
04. Na afloop van deze fase moet de led "Stop" branden en moeten de led's "L1" en "L2" uitgaan (het is mogelijk dat de led's "L3" en "L4" beginnen te knipperen).

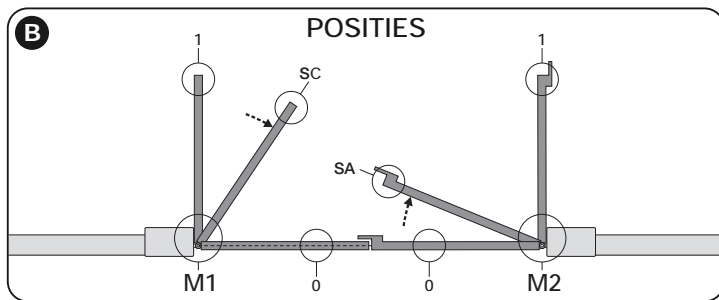
4.6 - Zelfflering van de posities van de mechanische stops

Na de zelfflering van de aangesloten inrichtingen (paragraaf 4.6), dienen de posities van de mechanische stops (maximale openingsstand en maximale sluitingsstand) te worden aangeleerd. Deze procedure kan in drie modi worden uitgevoerd: **automatisch**, **handmatig** en **gemengd**.

In de **automatische modus**, voert de besturingseenheid de procedure voor zelfflering van de mechanische stops uit en berekent wat de beste faseverschillen van de vleugels zijn (SA en SC, **afb. B**).

In de **handmatige modus** worden de zes posities die te zien zijn op **afb. B** één voor één geprogrammeerd door de vleugels op de gewenste punten te zetten. De te programmeren positie kan gevonden worden aan de hand van het knipperen van één de 6 led's (L1...L6), zie **Tabel 4**.

In de **gemengde modus** is het mogelijk de automatische procedure uit te voeren en vervolgens met de handmatige procedure één of meer posities te wijzigen, met uitzondering van de posities "0" en "1" (**afb. B**) die gelijk zijn aan de posities van de mechanische stops.



TABEL 4

Positie	Led	Beschrijving
Positie 0 (motor 1)	L1	Positie voor maximale sluiting: wanneer de vleugel 1 de mechanische stop voor de sluitbeweging raakt
Positie 0 (motor 2)	L2	Positie voor maximale sluiting: wanneer de vleugel 2 de mechanische stop voor de sluitbeweging raakt
Positie SA (motor 2)	L3	Faseverschil in openingsbeweging: wanneer de vleugel 2 deze positie overschrijdt, begint de opening van de vleugel 1
Positie SC (motor 1)	L4	Faseverschil in sluitbeweging: wanneer de vleugel 1 zich onder deze positie bevindt, begint de sluiting van de vleugel 2
Positie 1 (motor 1)	L5	Positie voor maximale opening: wanneer de vleugel 1 de mechanische stop voor de openingsbeweging raakt
Positie 1 (motor 2)	L6	Positie voor maximale opening: wanneer de vleugel 2 de mechanische stop voor de openingsbeweging raakt

4.6.1 - Zelfflering in automatische modus

01. Druk de toetsen "Set" en "▶" tegelijk in en houd ze ingedrukt;
02. Wanneer de led's "L3" en "L4" snel beginnen te knipperen, (na circa 3 sec.) de toetsen weer loslaten;
03. Controleer of de automatisering de volgende reeksen van manoeuvres uitvoert:
 - a - Langzaam sluiten van de reductiemotor M1 tot aan de mechanische stop
 - b - Langzaam sluiten van de reductiemotor M2 tot aan de mechanische stop
 - c - Langzaam openen van de reductiemotor M2 en de reductiemotor M1 tot aan de mechanische stop
 - d - Snel sluiten van de reductiemotors M1 en M2

Aanbevelingen:

- Indien de eerste manoeuvre die wordt uitgevoerd door één vleugel of door beide vleugels geen **sluitbeweging** is, op de toets "◀" of "▶" drukken om de zelffleringsfase te stoppen; controleer vervolgens de stand van de keuzeschakelaar **JA** en van de brug **JB** (zie **Tabel 2**) of controleer de polariteit van de aansluiting van de motor zonder besturingseenheid (HO7224).
- Als de eerste **sluitmanoeuvre** niet wordt aangestuurd door M1, op de toets "◀" of "▶" drukken om de zelffleringsfase te stoppen; controleer vervolgens de stand van de keuzeschakelaar **JA** en van de brug **JB**, zie **Tabel 2**;
- 04. Na afloop van de sluitmanoeuvre van de 2 motoren (d) gaan de led's "L3" en "L4" uit ten teken dat de procedure correct werd uitgevoerd.

Aanbevelingen:

- Indien gedurende de automatische zelffleringprocedure de fotocellen of een met de ingang "stop" verbonden inrichting in werking treden, wordt de procedure onderbroken en begint de led L1 te knipperen. Om de zelfflering weer te activeren, dient u te procedure te hervatten vanaf punt 01;
- De automatische zelffleringprocedure kan ook na de installatie op elk gewenst moment opnieuw worden uitgevoerd; bijvoorbeeld na een verandering van de positie van de mechanische stops.

4.6.2 - Zelfflering in handmatige modus:

Let op! – Vanaf stap 03:

- om van led L1 naar L6 te gaan, dient u de toets ◀ of ▶ kort in te drukken (de led knippert, om de actuele positie aan te geven);
- om de motor in één van beide richtingen te laten bewegen houd u de toets ◀ of ▶ ingedrukt.

01. Druk de toetsen "Set" en "▶" tegelijk in en houd ze ingedrukt:

02. Laat de toetsen los wanneer del led "L1" begint te knipperen (na ongeveer 1 seconde); **Opmerking** – Als de toetsen "Set" en "▶" na 3 seconden niet worden losgelaten, wordt de procedure voor "automatische zelfflering" geactiveerd, en niet de handmatige procedure.

03. • de led L1 knippert: positie 0 van M1

Om de motor 1 aan te sturen en in de positie 0 (afb. B): te brengen: houd de toets "◀" of "▶". ingedrukt. Nadat de positie bereikt is, de toets loslaten om de manoeuvre te stoppen. Om de positie in het geheugen op te slaan, de toets "Set" minstens 3 sec. ingedrukt houden en vervolgens weer loslaten (na 2 sec. blijft de led L1 branden en bij het loslaten van de toets "Set" begint de led L2 te knipperen).

• de led L2 knippert: positie 0 van M2

Om de motor 2 aan te sturen en in de positie 0 (afb. B): te brengen: de toets "◀" of "▶". indrukken en vasthouden. Nadat de positie bereikt is, de toets loslaten om de manoeuvre te stoppen. Om de positie in het geheugen op te slaan, de toets "Set" minstens 3 sec. ingedrukt houden en vervolgens weer loslaten (na 2 sec. blijft de led L2 branden en bij het loslaten van de toets "Set" begint de led L3 te knipperen).

• de led L3 knippert: positie SA van M2

Om de motor 2 aan te sturen en in de positie SA (afb. B): te brengen: de toets "◀" of "▶". indrukken en vasthouden. Nadat de positie bereikt is, de toets loslaten om de manoeuvre te stoppen. Om de positie in het geheugen op te slaan, de toets "Set" minstens 3 sec. ingedrukt houden en vervolgens weer loslaten (na 2 sec. blijft de led L3 branden en bij het loslaten van de toets "Set" begint de led L4 te knipperen).

• de led L4 knippert: positie SC van M1

Om de motor 1 aan te sturen en in de positie SC (afb. B): te brengen: de toets "◀" of "▶" indrukken en vasthouden. Nadat de positie bereikt is, de toets loslaten om de manoeuvre te stoppen. Om de positie in het geheugen op te slaan, de toets "Set" minstens 3 sec. ingedrukt houden en vervolgens weer loslaten (na 2 sec. blijft de led L4 branden en bij het loslaten van de toets "Set" begint de led L5 te knipperen);

• de led L5 knippert: positie 1 van M1

Om de motor 1 aan te sturen en in de positie 1 (afb. B): te brengen: de toets "◀" of "▶" indrukken en vasthouden. Nadat de positie bereikt is, de toets loslaten om de manoeuvre te stoppen. Om de positie in het geheugen op te slaan, de toets "Set" minstens 3 sec. ingedrukt houden en vervolgens weer loslaten (na 2 sec. blijft de led L5 branden en bij het loslaten van de toets "Set" begint de led L6 te knipperen).

• de led L6 knippert: positie 1 van M2

Om de motor 2 in de positie 1 (afb. B): te brengen: de toets "◀" of "▶" indrukken en vasthouden. Nadat de positie bereikt is, de toets loslaten om de manoeuvre te stoppen. Om de positie in het geheugen op te slaan, de toets "Set" minstens 3 sec. ingedrukt houden en vervolgens loslaten om de programmering te verlaten (na 2 sec. blijft de led L6 branden tot u de toets "Set" loslaat).

Opmerking- Handmatige programmering van een installatie met één enkele reductiemotor: ga te werk zoals beschreven aan het begin van deze paragraaf, vanaf stap 01. Bij stap 03 gaat u als volgt te werk:

- programmeer de posities die betrekking hebben op de led's L1 (0 van M1) en L5 (1 van M1) als volgt: houd de toets "Set" minstens 3 seconden ingedrukt en laat hem vervolgens weer los (na 2 sec. blijft de led branden en bij het loslaten van de toets "Set" begint de volgende led te knipperen).
- de posities die betrekking hebben op de led's L3 (SA van M2) - L4 (SC van M1) moeten niet geprogrammeerd worden: om u te verplaatsen tussen de posities drukt u kort op de toets "◀" of "▶".

4.6.3 - Zelfflering in gemengde modus

Voer deze procedure uit nadat u de automatische zelffleringprocedure heeft uitgevoerd:

01. Druk de toetsen "Set" en "▶" tegelijk in en houd ze ingedrukt:

02. Laat de toetsen los wanneer del led "L1" begint te knipperen (na ongeveer 1 seconde); **Opmerking** – Als de toetsen "Set" en "▶" na 3 seconden niet worden losgelaten, wordt de procedure voor "automatische zelfflering" geactiveerd, en niet de handmatige procedure.

03. Door kort indrukken van de toets "◀" of "▶" verplaatst u de knipperende led (L1... L6) naar de positie die u wilt programmeren; ga voor iedere afzonderlijke positie te werk zoals beschreven bij stap 03 van de handmatige zelfflering (paragraaf 4.7.2).

Herhaal deze handeling voor alle andere posities die u wilt veranderen.

Om de handmatige zelfflering af te sluiten, drukt u meerdere malen op de toets "▶", om de knipperende led tot voorbij de positie L6 te verplaatsen.

4.7 - Controle van de beweging van de vleugels van de poort

Het wordt aangeraden om de besturingseenheid na afloop van de zelffleringfase enkele openings- en sluitmanoeuvres uit te laten voeren, om te controleren of de beweging van de poort correct is en om eventuele montage- en afstelfouten te corrigeren.

01. Druk op de toets "Open" en controleer of er gedurende de openingsmanoeuvre een versnellingsfase, en fase met constante snelheid en een ver-

tragingfase is. Controleer of het faseverschil van de vleugels in de openingsbeweging correct is. Na afloop moeten de vleugels perfect geopend zijn op de mechanische stop van de openingsbeweging;

02. Druk op de toets "Close" en controleer of er gedurende de sluitmanoeuvre een versnellingsfase, en fase met constante snelheid en een vertragingfase is. Controleer of het faseverschil van de vleugels in de sluitbeweging correct is. Na afloop moeten de vleugels perfect gesloten zijn op de mechanische sluitstop;

03. Controleer gedurende de manoeuvres of het knipperlicht knippert met tussenpozen van 0,5 seconde bij brandend knipperlicht en van 0,5 seconden bij gedoofd knipperlicht.

5 TESTEN EN INBEDRIJFSTELLING

Dit zijn de belangrijkste fasen bij de verwezenlijking van de automatisering, om een maximale veiligheid van de installatie te garanderen. De test kan ook worden gebruikt om de inrichtingen waar de automatisering uit bestaat, periodiek te controleren. De test- en inbedrijfstellingsfasen van de automatisering moeten door vakmensen worden verricht, die het op zich moeten nemen de tests te bepalen, die nodig zijn om de aangenomen oplossingen ten opzichte van de aanwezige gevaren te controleren en de inachtneming te controleren van wat door wetten, voorschriften en wettelijke regels wordt voorgeschreven: in het bijzonder van alle vereisten van de norm EN 12445, die de testmethoden bepaalt om de automatische systemen van hekken te controleren.

De bijkomende inrichtingen moeten een specifieke test ondergaan, zowel wat betreft de functionaliteit, als hun goede interactie met POP; raadpleeg dus de handleidingen van de afzonderlijke inrichtingen.

5.1 - Testen

De volgorde van de voor de test te verrichten handelingen heeft betrekking op een standaardinstallatie (afb. 3):

- 1 Controleer of alle aanwijzingen uit het hoofdstuk "Aanbevelingen voor de installatie" strikt in acht zijn genomen.
- 2 Deblokkeer de reductiemotoren handmatig en controleer of het op het punt dat voor de handmatige manoeuvre bestemd is mogelijk is de hekdeur openend of sluitend te bewegen met minder kracht dan 390 N.
- 3 Blokkeer de reductiemotoren (zie hoofdstuk 3.6).
- 4 Terwijl u de besturingsinrichtingen (zender, bedieningsknop, sleutelschakelaar, enz.) gebruikt, verricht u openings-, sluitings- en stoptests van het hek en verzekert u zich ervan dat de beweging van de hekdeuren overeenkomt met wat voorzien is. Het is raadzaam verschillende tests te verrichten om de beweging van de deuren te beoordelen en eventuele montage- en afstelfouten en ook bijzondere wrijvingspunten vast te stellen.
- 5 Controleer alle veiligheidsinrichtingen één voor één om te zien of ze correct werken (fotocellen, contactlijsten etc.). Wanneer een inrichting in werking treedt, zal de led "BLUEBUS", op de besturingseenheid, 2 maal snel knipperen om te bevestiging dat de herkenning heeft plaatsgevonden.
- 6 Als de gevaarlijke situaties veroorzaakt door de beweging van de hekdeuren beschermd zijn door de beperking van de botskracht moet de kracht worden gemeten volgens norm EN 12445. Als de controle van de "kracht van de reductiemotor" wordt gebruikt als hulpmiddel van het systeem om de botskracht te verminderen, probeert en zoekt u tenslotte de afstelling, die voor de beste resultaten zorgt.
- 7 Bevestig op een plek naast de automatisering een permanent etiket waarop beschreven wordt hoe de reductiemotor handmatig ontgrendeld kan worden.

5.2 - Inbedrijfstelling

De inbedrijfstelling kan uitsluitend plaatsvinden na alle testfasen met positief resultaat te hebben verricht.

- 1 Stel een technisch dossier van de automatisering samen, dat de volgende documenten moet bevatten: een allesomvattende tekening van de automatisering, het schema van de verrichte elektrische aansluitingen, het onderzoek van de aanwezige gevaren en de bijbehorende aangenomen oplossingen, de verklaring van overeenstemming van de fabrikant van alle gebruikte inrichtingen en de verklaring van overeenstemming die door de installateur is opgemaakt.
- 2 Breng een plaatje op het hek aan met ten minste de volgende gegevens: soort automatisering, naam en adres van de fabrikant (verantwoordelijke van de "inbedrijfstelling"), serienummer, bouwjaar en "CE" markering.
- 3 Stel de verklaring van overeenstemming op en geef ze aan de eigenaar van de automatisering.
- 4 Stel de "Gebruikshandleiding" van de automatisering op en geef ze aan de eigenaar van de automatisering.
- 5 Stel het "Onderhoudsprogramma" op, met de onderhoudsvoorschriften van alle inrichtingen van de automatisering en geef het aan de eigenaar van de automatisering.
- 6 Voordat u de automatisering in bedrijf stelt, informeert u de eigenaar goed over de gevaren en restrisico's die er nog zijn.

Voor de geciteerde documentatie stelt Nice via haar technische servicedienst het volgende ter beschikking: handleidingen, leidraden en reeds ingevulde formulieren. Zie ook: www.nice-service.com

6 PROGRAMMERING VAN DE BESTURINGSEENHEID

Op de besturingseenheid zitten 3 toetsen: OPEN (◀), STOP (SET), CLOSE (▶). Deze toetsen kunnen zowel gebruikt worden om de besturingseenheid te bedienen gedurende de testfasen, als om de beschikbare functies te programmeren. De beschikbare programmeerbare functies kennen 2 niveaus en de werkingsstatus ervan wordt aangegeven door de 8 led's (L1...L8) op de besturingseenheid (led aan = functie actief; led uit = functie niet actief).

De programmeertoetsen gebruiken:

OPEN (◀): – toets voor het aansturen van de openingsbeweging van de poort; – selectietoets in programmeerfase.

STOP/SET: toets voor het onderbreken van een manoeuvre; als hij meer dan 5 seconden ingedrukt wordt gehouden, activeert hij de programmeerfase.

CLOSE (▶): – toets voor het aansturen van de sluitbeweging van de poort; – selectietoets in programmeerfase.

6.1 - Programmering eerste niveau (ON-OFF)


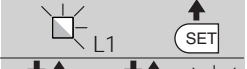
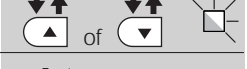


Alle functies van het eerste niveau zijn in de fabriek ingesteld op "OFF" en kunnen op elk gewenst moment gewijzigd worden. Om de verschillende functies te controleren, zie Tabel 5. Voor de programmeerprocedure, zie Tabel 6.

BELANGRIJK – De programmeerprocedure kent een tijd van maximaal 10 seconden tussen het indrukken van de ene en de andere toets. Nadat deze tijd verstreken is, wordt de procedure automatisch afgesloten, waarbij de tot op dat moment aangebrachte wijzigingen worden opgeslagen.

TABEL 5 - Functies eerste niveau

Led	Functie	Beschrijving
L1	Automatische sluiting	<u>Functie ACTIEF:</u> na een openingsmanoeuvre wordt een pauze ingelast (waarvan de duur gelijk is aan de geprogrammeerde Pauzetijd) nadat deze tijd is verstreken, start de besturingseenheid automatisch een sluitmanoeuvre. De fabriekswaarde van de Pauzetijd is 30 sec. <u>Functie NIET ACTIEF:</u> de werking is van het "semi-automatische" type.
L2	Sluit na foto	<u>Functie ACTIEF:</u> indien gedurende de openings- of sluitmanoeuvre de fotocellen in werking treden, wordt de pauzetijd gereduceerd tot 5 sec. onafhankelijk van de geprogrammeerde pauzetijd. Met gedeactiveerde "automatische sluiting" wordt, indien gedurende het sluiten de fotocellen in werking treden, de "automatische sluiting" met de geprogrammeerde "pauzetijd" geactiveerd.
L3	Sluit altijd	<u>Functie ACTIEF:</u> in het geval van een stroomuitval, ook indien deze van korte duur is, zal de besturingseenheid bij het terugkeren van de stroom een geopende poort detecteren en automatisch een sluitmanoeuvre starten, voorafgegaan door 5 sec. waarschuwing. <u>Functie NIET ACTIEF:</u> bij het terugkeren van de stroom blijft de poort waar hij is.
L4	Stand by alles	<u>Functie ACTIEF:</u> 1 minuut na afloop van de manoeuvre zal de besturingseenheid de uitgang "BlueBus" (inrichtingen aangesloten), de Bus T4 (inrichtingen aangesloten), de uitgangen flash en ELS, enkele interne circuits en alle led's, met uitzondering van de Led BlueBus, die langzamer gaat knipperen. Wanneer de besturingseenheid een instructie ontvangt, wordt de normale werking hersteld (met een korte vertraging). Deze functie heeft het doel het stroomverbruik te verminderen; dit is belangrijk bij voeding op batterijen of zonnepanelen.
L5	Elektrisch slot / Gebruikerslicht	<u>Functie ACTIEF:</u> de uitgang "elektrisch slot2" schakelt zijn functie om naar "gebruikerslicht". <u>Functie NIET ACTIEF:</u> de uitgang werkt als elektrisch slot.
L6	Voorwaarschuwing	<u>Functie ACTIEF:</u> voegt een pauze van 3 seconden toe tussen het aangaan van het knipperlicht en het begin van het manoeuvre, om op voorhand een gevaarlijke situatie te signaleren. <u>Functie NIET ACTIEF:</u> de signalering van het knipperlicht valt samen met het begin van het manoeuvre.
L7	"Stap-voor-stap" wordt "Open" en "Open" wordt "Sluit"	<u>Functie ACTIEF:</u> de twee ingangen "Stap-voor-stap" en "Open" van de besturingseenheid hebben de functie van "Open" en "Sluit". <u>Functie NIET ACTIEF:</u> de twee ingangen "Stap-voor-stap" en "Open" van de besturingseenheid hebben de functie van "Stap-voor-stap" en "Open gedeeltelijk 1".
L8	"Flash" of "Lampje poort open"	<u>Functie ACTIEF:</u> de uitgang "Flash" van de besturingseenheid schakelt zijn werking om naar "Lampje poort open". <u>Functie NIET ACTIEF:</u> de uitgang "FLASH" van de besturingseenheid volgt de functie "Knipperlicht".

TABEL 6 - Procedure voor programmering eerste niveau

01. Houd de toets "Set" circa 3 seconden ingedrukt;	
02. Laat de toets los wanneer de led "L1" begint te knipperen;	
03. Druk op de toets "◀" of "▶" om de knipperende led te verplaatsen naar de led die de te wijzigen functie vertegenwoordigt;	
04. Druk op de toets "Set" om de status van de functie te veranderen: (kort knipperen = OFF - lang knipperen = ON);	
05. Wacht 10 seconden (maximumtijd) om de programmering af te sluiten.	
<i>Opmerking – Om andere functie op "ON" of "OFF" te programmeren dient u, gedurende het uitvoeren van de procedure de punten 03 en 04 gedurende de fase zelf te herhalen.</i>	

6.2 - Programmering tweede niveau (instelbare parameters)

Alle parameters van het tweede niveau zijn in de fabriek ingesteld zoals in de kleur grijs is aangegeven in Tabel 7 en kunnen op elk gewenst moment worden gewijzigd door te werk te gaan zoals beschreven in Tabel 8.

De parameters kunnen worden ingesteld op een waarde tussen 1 en 8; om te controleren welke waarde bij elk van de led's hoort, raadpleegt u de Tabel 10.

BELANGRIJK – LDe programmeerprocedure kent een tijd van maximaal 10 seconden tussen het indrukken van de ene en de andere toets. Nadat deze tijd verstreken is, wordt de procedure automatisch afgesloten, waarbij de tot op dat moment aangebrachte wijzigingen worden opgeslagen.





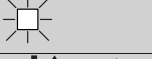



TABEL 7 - Functies tweede niveau

Ingangsled	Parameter	Led (niveau)	Waarde	Beschrijving
L1	Pauzetijd	L1	5 seconden	Stelt de pauzetijd in, d.w.z. de tijd voordat de poort automatisch weer gesloten wordt. Heeft alleen uitwerking als de functie Sluiting actief is.
		L2	15 seconden	
		L3	30 seconden	
		L4	45 seconden	
		L5	60 seconden	
		L6	80 seconden	
		L7	120 seconden	
		L8	180 seconden	
L2	Functie Stap-voor-stap	L1	Open – stop – sluit – stop	Regelt de reeks van instructies horend bij de ingang "Stap-voor-stap", "Open", "Sluit" of de radio-instructie. <i>Opmerking – Door L4, L5, L7 en L8 in te stellen wordt ook het gedrag van de instructies "Open" en "Sluit" gewijzigd.</i>
		L2	Open – stop – sluit – open	
		L3	Open – sluit – open – sluit	
		L4	Woonblok: • in de <u>openingsmanoeuvre</u> hebben de instructies "Stap-voor-stap" en "Open" geen enkele uitwerking; de instructie "Sluit" daarentegen veroorzaakt de omkering van de beweging, d.w.z. de poort wordt gesloten. • in de <u>sluitmanoeuvre</u> veroorzaken de instructies "Stap-voor-stap" en "Open" de omkering van de beweging, d.w.z. de vleugels worden geopend; de instructie "Sluit" heeft daarentegen geen enkele uitwerking.	
		L5	Woonblok 2: • in de <u>openingsmanoeuvre</u> hebben de instructies "Stap-voor-stap" en "Open" geen enkele uitwerking; de instructie "Sluit" daarentegen veroorzaakt de omkering van de beweging, d.w.z. de poort wordt gesloten. Als de verstuurd instructie langer dan 2 seconden aanhoudt, wordt een "Stop" uitgevoerd. • in de <u>sluitmanoeuvre</u> veroorzaken de instructies "Stap-voor-stap" en "Open" de omkering van de beweging, d.w.z. de vleugels worden geopend; de instructie "Sluit" heeft daarentegen geen enkele uitwerking. Als de verstuurd instructie langer dan 2 seconden aanhoudt, wordt een "Stop" uitgevoerd.	
		L6	Stap-voor-stap 2 (minder dan 2" leidt tot open gedeeltelijk)	
		L7	Persoon aanwezig: de manoeuvre wordt alleen uitgevoerd als de verstuurd instructie aanhoudt, als de instructie wordt onderbroken, stopt de manoeuvre.	
		L8	opening in "semi-automatisch", sluiting bij "persoon aanwezig"	
L3	Snelheid motoren	L1	Heel langzaam	Regelt de snelheid van de motoren gedurende het normale traject.
		L2	Langzaam	
		L3	Gemiddeld	
		L4	Snel	
		L5	Zeer snel	
		L6	Hoogste snelheid	
		L7	Open snel, Sluit langzaam	
		L8	Open op hoogste snelheid, Sluit op gemiddelde snelheid	
L4	Drukafvoer motoren gedurende de Sluiting	L1	Geen drukafvoer	Regelt de duur van de "korte omkering" van beide motoren na het uitvoeren van de sluitmanoeuvre, met het doel de resterende eindstootkracht te reduceren.
		L2	Niveau 1 - Minimum drukafvoer (circa 100 ms)	
		L3	Niveau 2 - ...	
		L4	Niveau 3 - ...	
		L5	Niveau 4 - ...	
		L6	Niveau 5 - ...	
		L7	Niveau 6 - ...	
		L8	Niveau 7 - Maximum drukafvoer (circa 1 ms)	
L5	Kracht motoren	L1	Niveau 1 - Minimumkracht	Regelt de kracht van beide motoren.
		L2	Niveau 2 - ...	
		L3	Niveau 3 - ...	
		L4	Niveau 4 - ...	
		L5	Niveau 5 - ...	
		L6	Niveau 6 - ...	
		L7	Niveau 7 - ...	
		L8	Niveau 8 - Maximumkracht	
L6	opening voetganger of gedeeltelijke opening	L1	Voetganger 1 (opening van de vleugel M2 op 1/4 van de totale opening)	Regelt het type opening dat wordt toegekend aan de instructie "gedeeltelijke opening 1". Op de niveaus L5, L6, L7, L8; onder "minimum" opening verstaat men kleinste opening van M1 en M2; als M1 bijvoorbeeld op 90° open en M2 op 110°, is de minimumopening 90°.
		L2	Voetganger 2 (opening van de vleugel M2 op 1/2 van de totale opening)	
		L3	Voetganger 3 (opening van de vleugel M2 op 3/4 van de totale opening)	
		L4	Voetganger 4 (totale opening van de vleugel 2)	
		L5	Gedeeltelijk 1 (opening van de twee vleugels op 1/4 van de "minimum" opening)	
		L6	Gedeeltelijk 2 (opening van de twee vleugels op 1/2 van de "minimum" opening)	
		L7	Gedeeltelijk 3 (opening van de twee vleugels op 3/4 van de "minimum" opening)	
		L8	Gedeeltelijk 4 (opening van de twee vleugels gelijk aan de "minimum" opening)	
L7	Onderhoudswaarschuwing	L1	500	Regelt het aantal manoeuvres: wanneer dit aantal wordt overschreden, signaleert de besturingseenheid dat de automatisering onderhouden moet worden, zie paragraaf 6.3.2. – Onderhoudswaarschuwing.
		L2	1000	
		L3	1500	
		L4	2500	
		L5	5000	
		L6	10000	
		L7	15000	
		L8	20000	

L8	Elenco anomalie	L1	Resultaat 1 ^e manoeuvre (de meest recente)	Stelt u in staat na te gaan wat voor soort fout zich heeft voorgedaan gedurende het uitvoeren van de laatste 8 manoeuvres. Zie TABEL 12 - Historisch foutenoverzicht
		L2	Resultaat 2 ^e manoeuvre	
		L3	Resultaat 3 ^e manoeuvre	
		L4	Resultaat 4 ^e manoeuvre	
		L5	Resultaat 5 ^e manoeuvre	
		L6	Resultaat 6 ^e manoeuvre	
		L7	Resultaat 7 ^e manoeuvre	
		L8	Resultaat 8 ^e manoeuvre	

Opmerking – De kleur grijs geeft de in de fabriek ingestelde waarden aan.

TABEL 8 - Procedure voor programmering tweede niveau

01. Houd de toets "Set" circa 3 seconden ingedrukt;	
02. Laat de toets los wanneer de led "L1" begint te knipperen;	
03. Druk op de toets "◀" of "▶" om de knipperende led te verplaatsen op de led die de "ingangsled" is van de te wijzigen parameter;	
04. Houd de toets "Set" ingedrukt tot punt 06 is afgewerkt;	
05. Wacht circa 3 seconden totdat de led gaat branden die het actuele niveau van de te wijzigen parameter vertegenwoordigt;	
06. Druk op de toets "◀" of "▶" om de led, die de parameterwaarde vertegenwoordigt, te verplaatsen;	
07. Laat de toets "Set" los;	
08. Wacht 10 seconden (maximumtijd) om de programmering af te sluiten.	

Opmerking – Om meerdere parameters te programmeren dient u gedurende de procedure de handelingen van punt 03 tot punt 07 gedurende de fase zelf te herhalen.

6.3 - Speciale functies

6.3.1 - Functie: "Functioneer in elk geval"

Deze functie maakt het mogelijk de automatisering ook te laten werken wanneer er een veiligheidsinrichting niet correct werkt of buiten gebruik is. De automatisering kan worden bediend in de modus "persoon aanwezig", ga hiervoor als volgt te werk:

01. Stuur een instructie om de poort in werking te stellen, met een zender of een sleutelschakelaar etc. Als alles goed is zal de poort normaal bewegen, als dit niet zo is gaat u als volgt te werk;
02. binnen 3 seconden de instructie opnieuw activeren en actief houden;
03. na ongeveer 2 seconden zal de poort de vereiste manoeuvre uitvoeren in de modus met "persoon aanwezig"; d.w.z. de poort zal alleen blijven bewegen zo lang de instructie gegeven wordt.

Wanneer de veiligheidsinrichtingen niet werken, zal het knipperlicht knipperen om aan te geven wat voor probleem er is (zie hoofdstuk 6 - Tabel 10).

6.3.2 - Functie: "Onderhoudswaarschuwing"

Deze functie signaleert wanneer er onderhoud aan de automatisering moet worden verricht. De signalering van de onderhoudswaarschuwing geschiedt door middel van een lamp die verbonden is met de uitgang "flash" of "els" wanneer deze uitgang geprogrammeerd is als "Controlelampje onderhoud". De verschillende signaleringen van het verklikkerlampje zijn vermeld in Tabel 9.

Om de limietwaarde voor het aantal manoeuvres tussen onderhoudsbeurten te programmeren, zie Tabel 7.

6.4 - Wissen van het geheugen

Om het geheugen van de besturingseenheid te wissen en alle fabrieksinstellingen te herstellen, gaat u als volgt te werk:

de toetsen "◀" en "▶" indrukken en vasthouden totdat de led's L1 en L2 beginnen te knipperen.

TABEL 9 - Signalering "Lampje onderhoud"

Aantal manoeuvres	Signalering
Minder dan 80% van de limiet	Lampje brandt 2 seconden, aan het begin van de openingsmanoeuvre.
Tussen '81% en 100% van de limiet	Lampje brandt voor de hele duur van de manoeuvre.
Meer dan 100% van de limiet	Lampje brandt voortdurend

7 WAT TE DOEN ALS... (handleiding voor het oplossen van problemen)

Bepaalde inrichtingen geven signaleringen af aan de hand waarvan de werkinstatus of eventuele storingen herkend kunnen worden.

Als op de uitgang FLASH op de besturingseenheid een knipperlicht wordt aangesloten, zal dit gedurende het uitvoeren van een manoeuvre knipperen met

tussenpozen van 1 seconde. Als er zich een storing voordoet, zal het knipperlicht korter knipperen, en het licht knippert tweemaal, waarna er een pauze van 1 seconde is. In **Tabel 10** vindt u een beschrijving van de oorzaak en oplossing voor de verschillende signaleringen.

Ook de led's op de besturingseenheid geven signaleringen; in **Tabel 11** vindt u een beschrijving van de oorzaak en oplossing voor de verschillende signaleringen.

Het is mogelijk te controleren welke storingen zich eventueel hebben voorgedaan gedurende de laatste 8 manoeuvres, zie hiervoor **Tabel 12**.






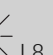





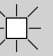

TABEL 10 - Signaleringen van het knipperlicht (FLASH)

Aantal knipperingen	Probleem	Oplossing
1 korte knippering pauze van 1 seconde 1 korte knippering	Fout Bluebus systeem	De controle van de inrichtingen die zijn aangesloten op het Bluebus systeem, die aan het begin van de manoeuvre wordt uitgevoerd, stemt niet overeen met de inrichtingen die gedurende de zelfleringfase werden opgeslagen. Mogelijk zijn er inrichtingen afgekoppeld of defect, controleer en voer eventueel vervangingen uit. Als er wijzigingen zijn aangebracht, dient de zelflering van de inrichtingen te worden herhaald (zie paragraaf 4.6).
2 korte knipperingen pauze van 1 seconde 2 korte knipperingen	Er is een fotocel in werking getreden	Eén of meer fotocellen geven geen toestemming voor de beweging of hebben gedurende het traject een omkering van de beweging veroorzaakt, controleer of er obstakels aanwezig zijn.
3 korte knipperingen pauze van 1 seconde 3 korte knipperingen	Activering van de functie "Obstakeldetectie" door krachtbegrenzer	Gedurende de beweging hebben de motoren meer kracht moeten leveren; controleer de oorzaak en verhoog eventueel het krachtniveau van de motoren.
4 korte knipperingen pauze van 1 seconde 4 korte knipperingen	Activering van de ingang STOP	Aan het begin van de manoeuvre of gedurende de beweging is er een activering geweest van de met de ingang STOP verbonden inrichtingen; ga na wat hiervan de oorzaak is.
5 korte knipperingen pauze van 1 seconde 5 korte knipperingen	Fout in de interne parameters van de besturingseenheid	Wacht minstens 30 seconden en probeer vervolgens opnieuw een instructie te geven en schakel eventueel ook de stroomtoevoer uit; als de status niet verandert, is er mogelijk een ernstige storing en moet de elektronische kaart worden vervangen.
6 korte knipperingen pauze van 1 seconde 6 korte knipperingen	Overschrijding van de maximumlimiet voor de achtereenvolgende manoeuvres of het aantal manoeuvres per uur.	Wacht enkele minuten om de inrichting voor begrenzing van de manoeuvres tot onder de maximumlimiet terug te laten keren.
7 korte knipperingen pauze van 1 seconde 7 korte knipperingen	Storing elektrische circuits	Wacht minstens 30 seconden en probeer vervolgens opnieuw een instructie te versturen en schakel eventueel ook de stroomtoevoer uit; als de status niet verandert, is er mogelijk een ernstige storing en moet de elektronische kaart worden vervangen.
8 korte knipperingen pauze van 1 seconde 8 korte knipperingen	Er is reeds een instructie aanwezig die het uitvoeren van instructies niet toelaat.	Controleer de aard van de instructie die altijd aanwezig is; dit kan bijvoorbeeld de instructie vanaf een klok op de ingang "open" zijn.
9 korte knipperingen pauze van 1 seconde 9 korte knipperingen	De automatisering werd geblokkeerd door een instructie "Blokkeer de automatisering".	Deblokkeer de automatisering door de instructie "Deblokkeer automatisering" te versturen.

TABEL 11 - Signaleringen van de led's op de besturingseenheid (afb. 14)

Led	Probleem	Oplossing
BLUEBUS Altijd uit	Storing	Controleer of de besturingseenheid voeding krijgt; controleer of de zekeringen niet zijn doorgebrand. Ga in dit geval na wat de oorzaak van de storing is en vervang de zekeringen door zekeringen van dezelfde stroomwaarde
Altijd aan	Ernstige storing	Het betreft een ernstig probleem; probeer de elektrische voeding naar de besturingseenheid af te koppelen, als de status gelijk blijft, dient de elektronische kaart te worden vervangen
1 knippering per seconde	Alles normaal	Normale werking van de besturingseenheid
2 snelle knipperingen	Variatie van de status van de ingangen	Is normaal als er een variatie optreedt in één van de ingangen (PP, STOP, OPEN, CLOSE); activering van de fotocellen of verzending van een instructie met een zender
Serie knipperingen, onderbroken door een pauze van 1 seconde	Diversen	Zie Tabel 10
STOP Altijd uit	Activering van de met de ingang STOP verbonden inrichtingen	Controleer de inrichtingen van de ingang STOP
Altijd aan	Alles normaal	Ingang STOP actief
P.P. Altijd uit	Alles normaal	Ingang P.P. niet actief
Altijd aan	Activering van de ingang P.P.	Is normaal als de met de ingang P.P. verbonden inrichting actief is
OPEN Altijd uit	Alles normaal	Ingang OPEN niet actief.
Altijd aan	Activering van de ingang OPEN	Is normaal als de met de ingang OPEN verbonden inrichting actief is
L1 - L2 Langzaam knipperen	Variatie van het aantal met Bluebus verbonden inrichtingen of zelflering inrichting niet uitgevoerd	De zelfleringprocedure van de inrichtingen moet worden uitgevoerd (zie paragraaf 4.5)
L3 - L4 Langzaam knipperen	De zelflering van de posities van de mechanische stops werd nooit uitgevoerd	De zelfleringprocedure moet worden uitgevoerd (zie paragraaf 4.6)
L5 Langzaam knipperen	Alles normaal	Aan de uitgang ELS werd een functie anders dan "elektrisch slot" en "gebruikerslicht" toegekend.
L7 Langzaam knipperen	Alles normaal	Aan de ingangen P.P. en OPEN werd een combinatie van functies toegekend anders dan "Stap-voor-stap" en "Open gedeeltelijk 1" of anders dan "open" en "sluit".
L8 Langzaam knipperen	Alles normaal	Aan de uitgang FLASH werd een functie toegekend anders dan "Knipperlicht" en "lampje poort open".

TABEL 12 - Historisch foutenoverzicht

01. Houd de toets "Set" circa 3 seconden ingedrukt;	 3 s
02. Laat de toets los wanneer de led "L1" begint te knipperen;	 L1 
03. Druk op de toets "◀" of "▶" om van de knipperende led naar de led L8 ("ingangsled") voor de parameter te gaan "Lijst fouten";	 of   L8
04. Houd de toets "Set" ingedrukt tot punt 06 is afgewerkt;	
05. Wacht circa 3 seconden totdat de led's aangaan die de niveaus vertegenwoordigen die overeenstemmen met de manoeuvres die fouten hebben vertoond. De led L1 geeft het resultaat van de meest recente manoeuvre aan en L8 dat van de achtste manoeuvre. Als de led brandt, betekent dit dat er zich problemen hebben voorgedaan, als de led uit is, is alles normaal;	3 s  
06. Druk op de toetsen "◀" en "▶" om de gewenste manoeuvre te selecteren: de bijbehorende led laat een aantal knipperingen zien het aantal knipperingen is gelijk aan het aantal dat normaal door het knipperlicht wordt getoond;	 en  
07. Laat de toets "Set" los.	

8 VERDERE DETAILS

Voor HOPP zijn de volgende (optionele) accessoires voorzien: ontvangers van de familie SMXI, OXI, de programmeereenheid Oview, het zonnepaneel Solemyo en de bufferbatterij mod. PS124.

8.1 - Aansluiting van een radio-ontvanger

De besturingseenheid is voorzien van een connector voor de aansluiting van radio (optioneel accessoire) die behoren tot de familie SMXI, OXI. Om een ontvanger aan te sluiten, de elektrische voeding naar de besturingseenheid afkoppelen en te werk gaan zoals te zien is op **afb. 16**. In de **Tabel 13** en **Tabel 14** zijn de instructies vermeld die overeenkomen met de uitgangen op de besturingseenheid.

len en te werk gaan zoals te zien is op **afb. 16**. In de **Tabel 13** en **Tabel 14** zijn de instructies vermeld die overeenkomen met de uitgangen op de besturingseenheid.

8.2 - Aansluiting en installatie van de bufferbatterij mod. PS124

LET OP! - De batterij mag alleen elektrisch op de besturingseenheid worden aangesloten na alle installatie- en programmeringsfasen te hebben voltooid, omdat de batterij een elektrische noodvoeding is.

Om de batterij te installeren en aan te sluiten, volgt u de montagefasen, die in **afb. 17** worden getoond.

TABEL 13

SMXI / SMXIS oppure OXI / OXIFM / OXIT / OXITFM in modus I of modus II

Uitgang Nr. 1	Instructie "P.P." (Stap-voor-stap)
Uitgang Nr. 2	Instructie "gedeeltelijke opening 1"
Uitgang Nr. 3	Instructie "Open"
Uitgang Nr. 4	Instructie "Sluit"

TABEL 14 - OXI / OXIFM / OXIT / OXITFM in modus II uitgebreid

N°	Instructie	Beschrijving
1	Stap-voor-stap	Instructie "P.P." (Stap-voor-stap)
2	Gedeeltelijke opening 1	Instructie "Gedeeltelijke opening 1"
3	Open	Instructie "Open"
4	Sluit	Instructie "Sluit"
5	Stop	Stop de manoeuvre
6	Stap-voor-stap woonblok	instructie in modus Woonblok
7	Stap-voor-stap hoge prioriteit	Stuurt ook aan bij geblokkeerde automatisering of actieve instructies
8	Open gedeeltelijk 2	Open gedeeltelijk (opening van de vleugel M2 op 1/2 van de totale opening)
9	Open gedeeltelijk 3	Open gedeeltelijk (opening van de twee vleugels gelijk aan 1/2 van de totale opening)
10	Open en blokkeer	Veroorzaakt een openingsmanoeuvre en na afloop daarvan de blokkering van de automatisering; de besturingseenheid accepteert geen enkele andere instructie met uitzondering van "Stap-voor-stap hoge prioriteit2", "Deblokkeer automatisering" of (alleen vanaf Oview) de instructies: "Deblokkeer en sluit" en "Deblokkeer en open"
11	Sluit en blokkeer automatisering	Veroorzaakt een sluitmanoeuvre en na afloop daarvan de blokkering van de automatisering; de besturingseenheid accepteert geen enkele andere instructie met uitzondering van "Stap-voor-stap hoge prioriteit", "Deblokkeer automatisering" of (alleen vanaf Oview) de instructies: "Deblokkeer en sluit" en "Deblokkeer en open"
12	Blokkeer automatisering	Veroorzaakt een stop van de manoeuvre en de blokkering van de automatisering; de besturingseenheid accepteert geen enkele andere instructie met uitzondering van "Stap-voor-stap hoge prioriteit", "Deblokkeer automatisering2 of (alleen vanaf Oview) de instructies: "Deblokkeer en sluit" en "Deblokkeer en open"
13	Deblokkeer automatisering	Veroorzaakt de deblokkering van de automatisering en de hervatting van de normale werking
14	On Timer gebruikerslicht	De uitgang Gebruikerslicht gaat aan, met tijdgeprogrammeerde uitschakeling
15	On-Off gebruikerslicht	De uitgang Gebruikerslicht gaat aan en uit, in de modus Stap-voor-stap

8.3 - Aansluiting van het programmeertoestel Oview

Op de besturingseenheid bevindt zich de connector BusT4, waarop de programmeringseenheid Oview kan worden aangesloten, die een volledige en snelle besturing van de installatie, - onderhouds-, en diagnosefase mogelijk maakt van de hele automatisering. Om toegang te krijgen tot de connector moet worden gehandeld als in **afb. 18** en de connector op zijn plaats worden aangesloten. Oview kan op meerdere besturingseenheden tegelijk worden aangesloten (tot 5 zonder bijzondere voorzorgsmaatregelen, tot 60 door de speciale waarschuwingen te volgen) en kan ook tijdens de normale werking van de automatisering op de besturingseenheid aangesloten blijven. In dat geval kan ze worden gebruikt om opdrachten direct naar de besturingseenheid te sturen, door het speciale "gebruikersmenu" te gebruiken. Het is ook mogelijk de firmware te updaten. Als er een radio-ontvanger in de besturingseenheid zit, die deel uitmaakt van de OXI-groep, is het m.b.v. Oview mogelijk toegang te krijgen tot de parameters van de zenders, die in de ontvanger zelf zijn opgeslagen. Raadpleeg voor diepgaandere informatie de bijbehorende handleiding en de systeemhandleiding "Opera system book".

8.4 - Aansluiting van het zonne-energiesysteem Solemyo

LET OP! – Wanneer de automatisering van stroom wordt voorzien door het systeem "Solemyo", mag deze NIET TEGELIJKERTIJD OOK GEVOED worden door het elektriciteitsnet.

Zie voor meer informatie over het Solemyo-systeem de betreffende instructiehandleiding.

Voor de aansluiting van het Solemyo-systeem gaat u te werk zoals te zien is op **afb. 19**.

8.5 - Aansluiting voor het systeem voor externe ontgrendeling Kio (afb. 20)

LET OP! – KioKio moet worden aangesloten op de reductiemotor die de vleugel aandrijft die als eerste begint te bewegen (uitgaande van de poort in gesloten stand).

01. Verwijder het kunststof deksel (1);
02. Steek de pen (3) in de opening van de ontgrendelingsas (2);
03. Steek de staalkabel (7) eerst in de schroef (4), en vervolgens in het hiervoor bestemde gat (5) en vervolgens in het gat van de pen (3);
04. Haak de veer (6) vast met de twee uiteinden zoals op de afbeelding is getoond;
05. Blokkeer de kabel door de hiervoor bestemde schroef (4) vast te schroeven;
06. Voer het andere uiteinde van de kabel door het gat op de onderkant van de reductiemotor;
07. Plaats het kunststof deksel (1) terug;
08. Sluit op dit punt de kabel aan op de Kio, zie de betreffende instructiehandleiding.

9 ONDERHOUD VAN HET PRODUCT

Om het veiligheidsniveau constant te houden en een maximale levensduur van de hele automatisering te garanderen, is regelmatig onderhoud nodig.

Het onderhoud moet met volledige inachtneming van de veiligheidsvoorschriften van deze handleiding worden verricht en volgens wat door de geldende wetten en voorschriften wordt voorgeschreven.

Controleer het product vaak om na te gaan of sprake is van onbalans van de hekdeuren, tekenen van slijtage, schade aan de elektrische kabels en veren.

Belangrijk – Tijdens de onderhoudsfase of de reiniging van het product koppelt u de besturingseenheid van de elektrische voeding en van de batterijen, indien aanwezig.

Voor de andere inrichtingen in de installatie volgt u wat in de respectievelijke onderhoudsprogramma's staat.

Bij de reductiemotoren HO7124, HO7224 is maximaal binnen 6 maanden of 20.000 manoeuvres na het vorige onderhoud een geprogrammeerd onderhoud nodig.

Handel als volgt om het onderhoud te verrichten:

01. Koppel alle elektrische voedingsbronnen los, inclusief eventuele bufferbatterijen.
02. Controleer de slijtagestaat van de beugels en bevestigingspluggen, met bijzondere aandacht voor afslijting en oxidatie van de delen. Vervang de delen, die niet voldoende garantie bieden;

03. Verricht een ontgrendelingstest om de goede werking te controleren, zie paragraaf 3.6.

04. Sluit de elektrische voedingsbronnen weer aan en verricht alle tests en controles die staan in hoofdstuk 5 - Testen.

HET PRODUCT AFDANKEN

Dit product maakt integrerend deel uit van de automatisering en moet er dus samen mee worden afgedankt.

Net als bij de installatie moeten de ontmantelingswerkzaamheden aan het eind van het leven van het product door vakmensen worden verricht.

Dit product bestaat uit verschillende materialen: sommige kunnen worden gerecycled, andere moeten worden afgedankt. Win informatie in over de recycling- of afvoersystemen voorzien door de wettelijke regels, die in uw land voor deze productcategorie gelden.

Let op! – Sommige delen van het product kunnen vervuilende of gevaarlijke stoffen bevatten, die als ze in het milieu worden achtergelaten schadelijke effecten op het milieu en de gezondheid kunnen hebben.

Zoals door het symbool aan de zijkant wordt aangeduid, is het verboden dit product bij het huishoudelijk afval weg te gooien. Zamel de afval dus gescheiden in, volgens de wettelijke regels die in uw land gelden, of lever het product bij aankoop van een nieuw gelijkwaardig product bij de dealer in.

Let op! – de lokaal geldende wettelijke regels kunnen zware sancties opleggen als dit product verkeerd wordt afgedankt.



De bufferbatterij afdanken (indien aanwezig)

Let op! – De lege batterij bevat vervuilende stoffen en mag dus niet bij het gewone afval worden gedaan.

Ze moet via de gescheiden afvalinzameling worden weggegooid, volgens de voorschriften die in uw land gelden.

TECHNISCHE GEGEVENS VAN HET PRODUCT

WAARSCHUWINGEN: • Alle vermelde technische kenmerken hebben betrekking op een omgevingstemperatuur van 20°C (± 5°C). • Nice S.p.a. behoudt zich het recht voor om, op elk moment dat dit noodzakelijk geacht wordt, wijzigingen aan het product aan te brengen, waarbij hoe dan ook de functionaliteit en de gebruiksbestemming ervan gelijk blijven.

	HO7124	HO7224
Typologie	Elektromechanische reductiemotor voor automatiseringen van automatische poorten en hekken met gelijkstroommotor, planeetwielvertraging, mechanische ontgrendeling. Ingebouwde besturingseenheid en radio-ontvanger OXI	Elektromechanische reductiemotor voor automatiseringen van automatische poorten en hekken met gelijkstroommotor, planeetwielvertraging, mechanische ontgrendeling.
Maximumkoppel	250 Nm	
Nominaal koppel	100 Nm	
Nullast snelheid	0,17 rad/s (1,6 rpm)	
Snelheid bij nominaal koppel	0,13 rad/s (1,2 rpm)	
Maximumfrequentie van de cycli *	35 cycli/uur	
Maximale ononderbroken cyclustijd **	10 minuten	
Gebruikslimieten	het product kan gebruikt worden op hekken met een vleugel met een gewicht tot 250 kg en een lengte tot 1,5 m en gewicht tot 160 kg voor lengtes tot 2,4 m	
Duur	geschat tussen 80.000 cycli en 250.000 cycli, volgens de condities die vermeld zijn in Tabel 15 en Grafiek 3	
Voeding	230 V~ (120 V~ voor uitvoering HO7124/V1) ±10%; 50/60 Hz	24 V=== (±25%)
Noodvoeding	aansluitmogelijkheid voor bufferbatterijen PS124	
Voeding met zonnepanelen	aansluitmogelijkheid voor set SYKCE	
Maximaal opgenomen vermogen bij nominaal koppel	170 W	50 W
Piekvermogen	280 W	100 W
Nominale opgenomen stroom	0,8 A (1,6 A voor uitvoering HO7124/V1)	2 A
Maximaal opgenomen stroom	1,3 A (2,6 A voor uitvoering HO7124/V1)	4 A (gedurende maximaal 1 seconde)
Opgenomen vermogen in "Standby-Alles" met voeding van PS124 of set SYKCE (inclusief de ontvanger OXI)	minder dan 100 mW	
Uitgang knipperlicht ***	een knipperlicht LUCYB (lamp van 12 V===, 21 W)	
Uitgang elektrisch slot ***	een elektrisch slot van 12 V~ max 15 VA	
Uitgang BLUEBUS	een uitgang met een maximale belasting van 15 Bluebus units (maximaal 6 stellen fotocellen MOFB of MOFOB plus 2 stellen fotocellen MOFB of MOFOB geadresseerd als openingsinrichtingen plus maximaal 4 bedieningsinrichtingen MOMB of MOTB)	
Ingang STOP	voor normaal gesloten contacten, normaal geopende contacten of contacten met constante weerstand 8,2 kΩ; de selectie van het contacttype geschiedt in zelflering en een verandering ten opzichte van de opgeslagen status veroorzaakt de bedieningsinstructie "STOP"	
Ingang PP	voor normaal open contacten (sluiting van het contact veroorzaakt de instructie Stap-voor-stap)	
Ingang OPEN	voor normaal open contacten (sluiting van het contact veroorzaakt de instructie Open gedeeltelijk 1)	
Aansluiting radio	connector SM voor ontvangers van de familie SMXI, OXI en OXIFM	
Ingang ANTENNE radio	50 Ω voor kabel type RG58 of dergelijke	
Programmeerbare functies	8 functies van het type ON-OFF (Tabel 5) en 8 instelbare functies (Tabel 6)	
Functies in zelflering	<ul style="list-style-type: none"> • Zelflering van de inrichtingen die zijn verbonden met de BlueBus uitgang. • Zelflering van het type inrichting dat verbonden is met de klem "STOP" (contact NA, NC of weerstand 8,2 kΩ). • Zelflering van de beweging van de vleugels en automatische berekening van de en de gedeeltelijke opening. • Zelflering van de werking met één of twee motoren 	
Montage	In verticale stand, met een speciale bevestigingsplaat	
Bedrijfstemperatuur	van -20°C tot +50°C (bij lage temperaturen zal de efficiëntie van de reductiemotor afnemen)	
Gebruik in bijzonder zure, zoute of potentieel explosieve omgeving	NEE	
Beschermingsklasse	IP 54 (met intacte kast)	
Afmetingen (mm)	180 x 252 x 290 h	
Gewicht (kg)	9	6,5

[*] Frequentie van de cycli bij de maximumtemperatuur: 25 cycli/uur

[**] Maximale continue bij de maximumtemperatuur: 8 minuten

[***] De uitgangen "Knipperlicht" en "Elektrisch slot" kunnen met andere functies geprogrammeerd worden (zie "TABEL 5 - Functies 1° niveau of via Oview programmeereenheid, zie hoofdstuk 8.3). De elektrische kenmerken van de uitgangen passen zich aan op basis van het gekozen functietype: • functie knipperlicht: lamp 12 V===, 21 W max; • functie elektrisch slot: 12 V~ 15 VA max; • andere uitgangen (alle types): 1 lamp of relais 24 V=== (-30 en +50%), 4 W max.

DUUR VAN HET PRODUCT

De levensduur is de gemiddelde economische levensduur van het product. Hoe lang een product meegaat, is sterk afhankelijk van de zwaarte-index van de door de automatisering uitgevoerde manoeuvres: d.w.z., de som van alle factoren die aan de slijtage van het product bijdragen (zie Tabel 15).

Om de waarschijnlijke levensduur van uw automatisering te bepalen, gaat u als volgt te werk:

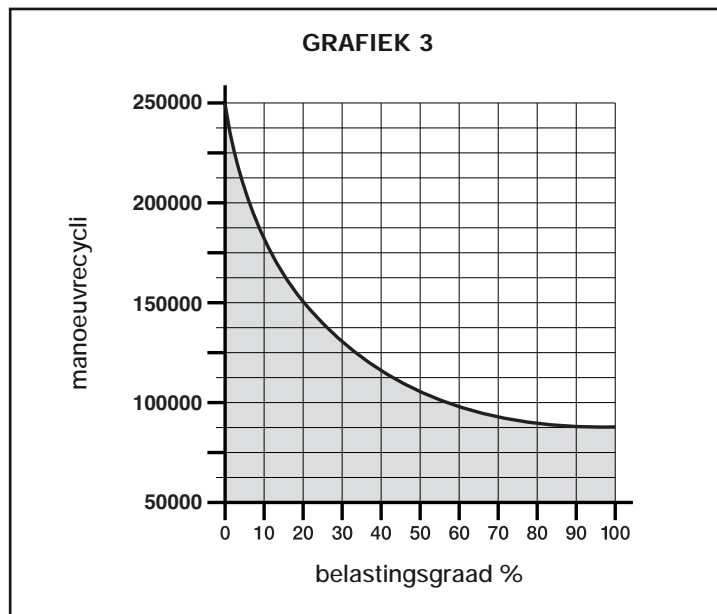
01. Bereken de zwaarte-index door de percentages die vermeld zijn onder de verschillende punten van de Tabel 15 bij elkaar op te tellen;

02. In de Grafiek 3 trekt u een verticale lijn van de zo juist gevonden waarde tot aan het snijpunt met de kromme; vanaf dit punt trekt u een horizontale lijn tot dat u de lijn van de "manoeuvreercycli" kruist. De zo gevonden waarde is de geschatte levensduur van uw product.

De schatting van de levensduur wordt gemaakt op grond van ontwerpberekeningen en de resultaten van op de prototypes uitgevoerde tests. Aangezien het een schatting betreft, kan deze waarde geen enkele garantie bieden voor de effectieve levensduur van het product.

Voorbeeld van berekening van de duur van een reductiemotor HOPP (zie Tabel 15 en Grafiek 3):

- lengte van de vleugel = 1,3 m (zwaarte-index: 15%);
- gewicht van de vleugel: 180 kg (zwaarte-index: 30%);
- blinde vleugel (zwaarte-index: 15%);
- Totale zwaarte-index = 60%;
- Geschatte levensduur = 100.000 manoeuvreercycli



TABEL 15		
		Zwaarte-index
Lengte van de vleugel	< 1,0 m	-
	1,0 - 1,5 m	15%
	1,5 - 2,4 m	20%
Gewicht van de vleugel	< 100 kg	-
	100 - 150 kg	20%
	150 - 250 kg	30%
Omgevingstemperatuur hoger dan 40°C of lager dan 0°C of vochtigheidsgraad boven de 80%		20%
Blinde vleugel		15%
Installatie in winderig gebied		15%
<i>Opmerkin - De gegevens hebben betrekking op een gebalanceerde sectionaalpoort in perfecte staat van onderhoud</i>		

EG-VERKLARING VAN OVEREENSTEMMING en verklaring van inbouw van "niet-voltooide machine" (een samenstel dat bijna een machine vormt)

Verklaring in overeenstemming met de Richtlijnen: 2004/108/EG (EMC); 2006/42/EG (MD) bijlage II, deel B

Opmerking - De inhoud van deze verklaring stemt overeen met wat verklaard is in het officiële document dat is neergelegd bij de vestiging van Nice S.p.a., en in het bijzonder aan de laatste revisie hiervan die voor het afdrukken van deze handleiding beschikbaar was. De hier beschreven tekst werd om uitgeversredenen heraanangepast.

U kunt een exemplaar van de originele verklaring aanvragen bij Nice S.p.a. (TV) I.

Nummer verklaring: 376/HOPP

Revisie: 0

Taal: NL

Naam fabrikant: NICE S.p.A.
Adres: Via Pezza Alta N° 13, 31046, Rustignè di Oderzo (TV) Italy
Persoon die gemachtigd is om de technische documentatie samen te stellen: Dhr. Oscar Marchetto
Adres: Via Pezza Alta N° 13, 31046, Rustignè di Oderzo (TV) Italy
Producttype: Elektromechanische reductiemotor "HOPP" met ingebouwde besturingseenheid
Model / type: HO7124, HO7224
Accessoires: SMXI, OXI, PS124, Oview

Ondergetekende Luigi Paro in de hoedanigheid van Gedelegeerd Bestuurder, verklaart onder zijn eigen verantwoordelijkheid dat het hierboven beschreven product voldoet aan de bepalingen uit de volgende richtlijnen:

- Richtlijn 2004/108/EG VAN HET EUROPESE PARLEMENT EN DE RAAD van 15 december 2004 met betrekking tot de onderlinge aanpassing van de wetgevingen van de Lidstaten met betrekking tot de elektromagnetische compatibiliteit waarmee de richtlijn 89/336/EEG wordt afgeschaft, volgens de volgende geharmoniseerde normen:
EN 61000-6-2:2005, EN 61000-6-3:2007

Daarnaast voldoet het product aan de volgende richtlijn volgens de vereisten die voorzien zijn voor "niet-voltooide machines" (samenstellen die bijna een machine vormen):

- Richtlijn 2006/42/EG VAN HET EUROPESE PARLEMENT EN VAN DE RAAD van 17 mei 2006 met betrekking tot machines, die de richtlijn 95/16/EG (rifusie) wijzigt
 - Wij verklaren dat de bijbehorende technische documentatie werd opgesteld in overeenstemming met bijlage VII B van de richtlijn 2006/42/EG en dat de volgende fundamentele vereisten in acht zijn genomen:
1.1- 1.1.2- 1.1.3- 1.2.1-1.2.6- 1.5.1-1.5.2- 1.5.5- 1.5.6- 1.5.7- 1.5.8- 1.5.10- 1.5.11
 - De fabrikant zal aan de landelijke autoriteiten, in antwoord op een gemotiveerd verzoek, de informatie doorgegeven die betrekking heeft op de "niet-voltooide machine", met volledig behoud van de eigen rechten van intellectueel eigendom.
 - Wanneer de "niet-voltooide machine" in bedrijf wordt gesteld in een Europees land waar de officiële voertaal anders is dan de taal die in deze verklaring wordt gebruikt, is de importeur verplicht om bij deze verklaring een vertaling ervan te voegen.
 - De "niet-voltooide machine" mag pas in werking worden gesteld wanneer de uiteindelijke machine waarin hij zal worden opgenomen op zijn beurt conform de voorschriften van de richtlijn 2006/42/EG is verklaard.

Daarnaast voldoet het product aan de volgende normen:

EN 60335-1:2002 + A1:2004 + A11:2004 + A12:2006 + A2:2006 + A13:2008
EN 60335-2-103:2003

Het product voldoet, beperkt tot de van toepassing zijnde delen, aan de volgende normen:

EN 13241-1:2003, EN 12445:2002, EN 12453:2002, EN 12978:2003

Oderzo, 24 januari 2011

Ir. Luigi Paro (Gedelegeerd Bestuurder)



EN - Technical documentation
Images

IT - Documentazione Tecnica
Immagini

FR - Documentation Technique
Images

ES - Documentación Técnica
Imágenes

DE - Technische Dokumentation
Bilder

PL - Dokumentacja Techniczna
Zdjęcia

NL - Technische documentatie
Afbeeldingen

Instructions and warnings for the user

Before using the automation system for the first time, allow the installer to explain the origin of the residual risks and take a few minutes to read this instruction manual and the warnings for the user which the installer has handed you. Keep this manual in a safe place for future reference and hand it over to any new owner of the automation system.

IMPORTANT! – Your automation system is a machine which performs the commands you send it; improper and careless use could make it become dangerous:

- Do not operate the movement of the automation system if people, animals or objects lie in its range of action.
- It is strictly forbidden to touch parts of the automation system while the gate or door are in motion!
- The photocells are not a safety device but one that is auxiliary to safety. They are built with high reliability technology but they may, under extreme circumstances, malfunction or indeed fail and, in some cases, the failure may not immediately be visible. For these reasons, please observe the following warnings when using the automation system:
 - Transit is only permitted if the gate or door is completely open and with the leaves at a standstill
 - IT IS STRICTLY FORBIDDEN to transit while the gate or door is closing!
 - Ensure the photocells are working properly on a regular basis.

• **Children:** an automation system guarantees a high level of safety; indeed, thanks to its detection systems, it controls and guarantees movement in the presence of people or objects. It is however prudent to forbid children from touching or playing near the automation system and not to leave remote controls within their reach to avoid involuntary activation: **it is not a game!**

• The product is not intended for use by persons, including children, with limited physical, sensory or mental capacities, or who lack experience or knowledge, unless supervised or trained in the use of the product by a person responsible for their safety.

• **Faults:** if an operating fault is detected in the automation system, cut off the electricity supply to the automation system and release the gearmotor manually (see respective instruction manual) to operate the gate manually. Do not perform any repair work but contact your regular installer for assistance.

• Do not change the system or the programming and adjustment parameters of the control unit: this lies within the area of responsibility of your installer.

• **Breakage or lack of power supply:** while waiting for your installer to call by or for the power supply to be re-established, if the system is not equipped with a back-up battery, the automation system can still be used: simply perform the manual release of the gearmotor (see the respective instruction manual) and move the gate leaf manually as required.

• **Safety devices out of order:** the automation system can still work when a safety device doesn't work properly or is out of order. The gate can be controlled in "push to run" mode as follows:

01. Send a command to operate the gate, using a transmitter or key selector, etc. If everything is working properly, the gate will move normally, otherwise proceed as follows:
02. Within 3 seconds, send the command again and keep it activated;
03. After approximately 2 seconds, the gate will perform the manoeuvre requested in "push to run" mode; i.e. the gate will continue to move only for as long as the command is activated.

N.B.! – If the safety devices are out of order, we recommend you have them repaired as soon as possible by qualified experts.

• The testing, routine maintenance and any repair work must be documented by the person who carries out the work; the documents must be kept by the owner of the system. The only operations that the user can perform regularly are the cleaning of the glass covers of the photocells (use a slightly damp soft cloth) and the removal of any leaves or pebbles which could hamper the automation system. **Important** – Before going ahead, to prevent someone from being able to activate the gate inadvertently, release the gearmotor manually (see the respective instruction manual).

• **Maintenance:** in order to keep the safety level constant and to guarantee the maximum life span of the entire automation system, regular maintenance (at least every 6 months) is vital. **All control, maintenance or repair operations must only be carried out by qualified experts.**

• **Disposal:** at the end of the life span of the automation system, make sure that it is dismantled by qualified experts and that the materials are disposed of in accordance with the applicable local regulations.

• **If the automation system was secured with the command "Secure automation system":** after a command is sent, the gate does not move and the flashing light emits 9 brief flashes.

MANUALLY RELEASING AND LOCKING THE GEARMOTOR

The gearmotor is equipped with a mechanical locking system to enable manual opening and closing of the gate.

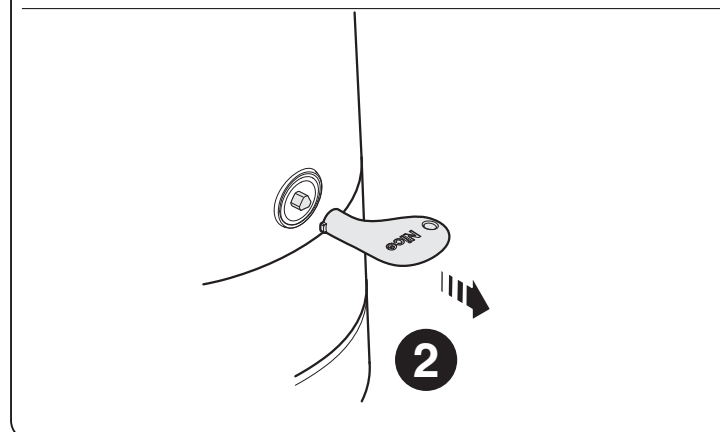
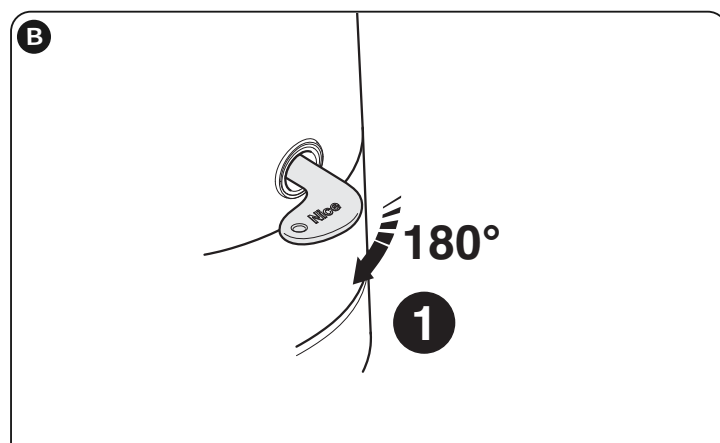
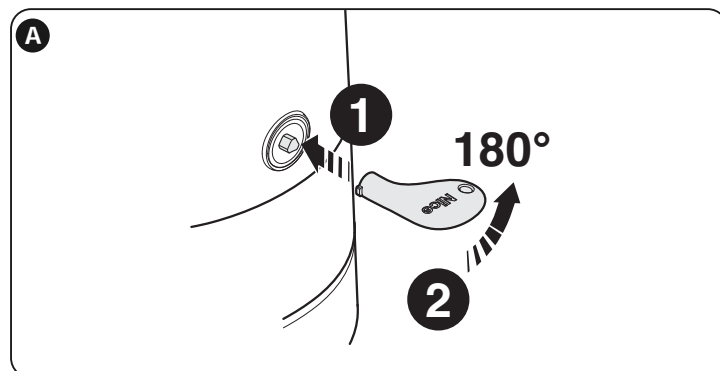
These manual operations should only be performed in the event of a power failure, malfunctions or during the installation procedures.

Releasing (fig. A):

01. Insert the key;
02. Turn the key anti-clockwise (180°);
03. At this point the leaf can be moved manually to the required position.

Locking (fig. B):

01. Turn the key clockwise through 180°;
02. Remove the key.



Istruzioni ed avvertenze destinate all'utilizzatore

Prima di usare per la prima volta l'automazione, fatevi spiegare dall'installatore l'origine dei rischi residui e dedicate qualche minuto alla lettura di questo manuale d'istruzioni ed avvertenze per l'utilizzatore, consegnatovi dall'installatore. Conservate il manuale per ogni dubbio futuro e consegnatelo ad un eventuale nuovo proprietario dell'automazione.

ATTENZIONE! – La vostra automazione è un macchinario che esegue fedelmente i vostri comandi; un uso incosciente ed improprio può farlo diventare pericoloso:

- Non comandate il movimento dell'automazione se nel suo raggio di azione si trovano persone, animali o cose.
- È assolutamente vietato toccare parti dell'automazione mentre il cancello o il portone è in movimento!
- Le fotocellule non sono un dispositivo di sicurezza ma soltanto un dispositivo ausiliario alla sicurezza. Sono costruite con tecnologia ad altissima affidabilità ma possono, in situazioni estreme, subire malfunzionamenti o addirittura guastarsi e, in certi casi, il guasto potrebbe non essere subito evidente. Per questi motivi, durante l'utilizzo dell'automazione è necessario fare attenzione alle seguenti avvertenze:
 - Il transito è consentito solo se il cancello o portone è completamente aperto e con le ante ferme
 - È ASSOLUTAMENTE VIETATO transitare mentre il cancello o il portone si sta chiudendo!
 - Verificare periodicamente il corretto funzionamento delle fotocellule.

• **Bambini:** un impianto di automazione garantisce un alto grado di sicurezza; infatti, con i suoi sistemi di rilevazione controlla e garantisce il suo movimento in presenza di persone o cose. È comunque prudente vietare ai bambini di giocare in prossimità dell'automazione e non lasciare i telecomandi alla loro portata per evitare attivazioni involontarie: **non è un gioco!**

• Il prodotto non è destinato ad essere utilizzato da persone (bambini compresi) le cui capacità fisiche, sensoriali o mentali siano ridotte, oppure con mancanza di esperienza o di conoscenza, a meno che esse abbiano potuto beneficiare, attraverso l'intermediazione di una persona responsabile della loro sicurezza, di una sorveglianza o di istruzioni riguardanti l'uso del prodotto.

• **Anomalie:** se viene notato un qualunque comportamento anomalo dell'automazione, togliere l'alimentazione elettrica all'impianto ed eseguire lo sblocco manuale del motoriduttore (vedere rispettivo manuale istruzioni) per far funzionare manualmente il cancello. Non effettuare alcuna riparazione ma richiedere l'intervento del vostro installatore di fiducia.

• **Non modificare l'impianto e i parametri di programmazione e di regolazione della centrale di comando:** la responsabilità è del vostro installatore.

• **Rottura o assenza di alimentazione:** in attesa dell'intervento del vostro installatore o del ritorno dell'energia elettrica, se l'impianto non è dotato di batterie tampone, l'automazione può essere ugualmente utilizzata: occorre eseguire lo sblocco manuale del motoriduttore (vedere rispettivo manuale istruzioni) e muovere l'anta del cancello manualmente come si desidera.

• **Dispositivi di sicurezza fuori uso:** è possibile far funzionare l'automazione anche quando qualche dispositivo di sicurezza non funziona correttamente oppure è fuori uso. È possibile comandare il cancello in modalità "uomo presente" procedendo nel modo seguente:

01. Inviare un comando per azionare il cancello, con un trasmettitore oppure con un selettore a chiave, ecc. Se tutto funziona correttamente il cancello si muoverà regolarmente, altrimenti procedere come di seguito:
02. Entro 3 secondi, azionare nuovamente il comando e mantenerlo azionato;
03. Dopo 2 secondi circa, il cancello effettuerà la manovra richiesta in modalità "uomo presente"; cioè, il cancello continuerà a muoversi solo fino a quando verrà mantenuto azionato il comando.

IMPORTANTE! – Se i dispositivi di sicurezza sono fuori uso, si consiglia di far eseguire la riparazione al più presto, da un tecnico qualificato.

• Il collaudo, le manutenzioni periodiche e le eventuali riparazioni devono essere documentate da chi esegue il lavoro; i documenti devono essere conservati dal proprietario dell'impianto. Gli unici interventi che l'utilizzatore può eseguire periodicamente, sono la pulizia dei vetri delle fotocellule (utilizzare un panno morbido e leggermente umido) e la rimozione di eventuali foglie o sassi che potrebbero ostacolare l'automatismo. **Importante** – Prima di procedere, per impedire che qualcuno possa azionare inavvertitamente il cancello, sbloccare manualmente il motoriduttore (vedere rispettivo manuale istruzioni).

• **Manutenzione:** per mantenere costante il livello di sicurezza e per garantire la massima durata dell'intera automazione è necessaria una manutenzione regolare (almeno ogni 6 mesi). Qualunque intervento di controllo, manutenzione o riparazione deve essere eseguito solo da personale qualificato.

• **Smaltimento:** al termine della vita dell'automazione, assicuratevi che lo smantellamento sia eseguito da personale qualificato e che i materiali vengano riciclati o smaltiti secondo le norme valide a livello locale.

• **Se l'automazione è stata bloccata con il comando "Blocca automazione":** dopo l'invio di un comando, il cancello non si muove ed il lampeggiante emette 9 brevi lampeggi.

SBLOCCARE E BLOCCARE MANUALMENTE IL MOTORIDUTTORE

Il motoriduttore è dotato di un sistema di sblocco meccanico che consente di aprire e chiudere il cancello manualmente.

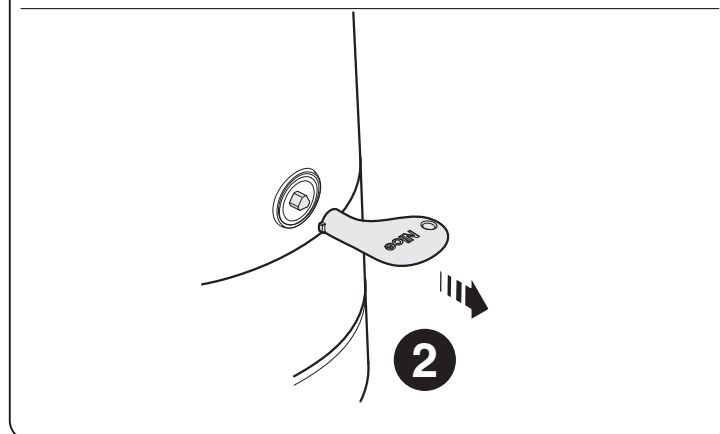
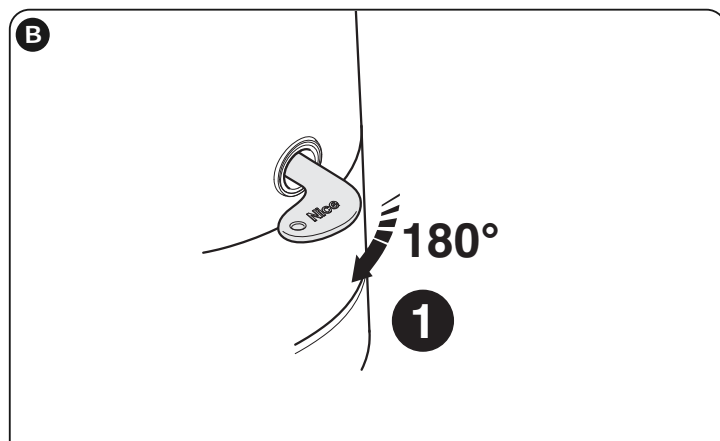
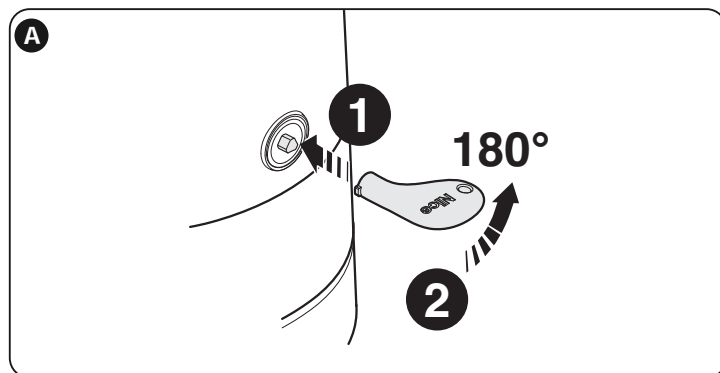
Queste operazioni manuali devono essere eseguite nei casi di mancanza di corrente elettrica, anomalie di funzionamento o nelle fasi di installazione.

Sbloccare (fig. A):

01. Inserire la chiave;
02. Ruotare la chiave in senso antiorario (180°);
03. A questo punto, è possibile muovere manualmente l'anta nella posizione desiderata.

Bloccare (fig. B):

01. Ruotare la chiave di 180° in senso orario;
02. Estrarre la chiave.



Instructions et recommandations destinées à l'utilisateur

Avant d'utiliser pour la première fois l'automatisation, se faire expliquer par l'installateur l'origine des risques résiduels et dédier quelques minutes à la lecture de ce manuel d'instructions et recommandations pour l'utilisateur, fourni par l'installateur. Conserver le manuel pour chaque doute futur et le transmettre à un éventuel nouveau propriétaire de l'automatisation.

ATTENTION ! – L'automatisation est une machine qui effectue fidèlement vos commandes ; une utilisation inconsciente et incorrecte peut le rendre dangereux :

- Ne pas commander le mouvement de l'automatisation si dans son rayon d'action se trouvent des personnes, des animaux ou des choses.
- Il est absolument interdit de toucher des parties de l'automatisation tandis que le portail est en mouvement !
- Les photocellules ne sont pas un dispositif de sécurité mais seulement un dispositif de support pour la sécurité. Elles sont construites avec une technologie extrêmement fiable mais peuvent, dans des cas extrêmes, subir des dysfonctionnements ou même s'endommager et la panne pourrait ne pas être tout de suite évidente. Pour ces raisons, durant l'utilisation de l'automatisation faire attention aux recommandations suivantes :
 - Le transit n'est permis que si le portail est complètement ouvert avec les vantaux à l'arrêt
 - IL EST ABSOLUMENT INTERDIT de transiter alors que le portail est en train de se fermer !
 - Contrôler périodiquement le correct fonctionnement des photocellules.

• **Enfants** : une installation d'automatisation garantit un haut degré de sécurité ; en effet, avec ses systèmes de détection elle contrôle et garantit son mouvement en présence de personnes ou de choses. Il est toutefois prudent d'interdire aux enfants de jouer à proximité de l'automatisation et de ne pas laisser les télécommandes à leur portée afin d'éviter des activations involontaires : **ce n'est pas un jeu !**

• Le produit n'est pas destiné à être utilisé par des personnes (enfants compris) dont les capacités physiques, sensorielles ou mentales sont réduites ou manquant d'expérience ou de connaissance, à moins que celles-ci n'aient pu bénéficier, à travers l'intermédiation d'une personne responsable de leur sécurité, d'une surveillance ou d'instructions concernant l'utilisation du produit.

• **Anomalies** : en cas de comportement anormal de l'automatisation, couper l'alimentation électrique de l'installation et effectuer le déblocage manuel de l'opérateur (voir manuel d'instructions respectif) pour faire fonctionner manuellement le portail. N'effectuer aucune réparation mais demander l'intervention de l'installateur de confiance.

• Ne pas modifier l'installation et les paramètres de programmation et de réglage de la centrale de commande : la responsabilité est de l'installateur.

• **Rupture et absence d'alimentation** : en attendant l'intervention de l'installateur ou du retour de l'énergie électrique, si l'installation est équipée de batterie tampon, l'automatisation peut quand même être utilisée : il faut effectuer le déblocage manuel de l'opérateur (voir manuel d'instructions respectif) et déplacer le vantail manuellement comme on le souhaite.

• **Dispositifs de sécurité hors service** : il est possible de faire fonctionner l'automatisation même lorsque certains dispositifs de sécurité ne fonctionnent pas correctement ou sont hors service. Il est possible de commander le portail en modalité "homme présent" en procédant de la manière suivante :

01. Envoyer une commande pour actionner le portail, avec un émetteur ou un sélecteur à clé, etc. Si tout fonctionne correctement, le portail se déplacera régulièrement, sinon procéder comme suit :
02. Dans les 3 secondes qui suivent, actionner de nouveau la commande et la maintenir actionnée ;
03. Après environ 2 secondes, le portail effectuera la manœuvre requise en modalité "homme présent" ; le portail ne continuera donc à se déplacer que lorsque la commande est maintenue actionnée.

IMPORTANT ! – Si les dispositifs de sécurité sont hors service, il est conseillé de les faire réparer le plus rapidement possible par un technicien qualifié.

• L'essai, les opérations périodiques de maintenance et les éventuelles réparations doivent être documentées par la personne qui effectue le travail ; les documents doivent être conservés par le propriétaire de l'installation. Les seules interventions que l'utilisateur peut effectuer périodiquement sont l'entretien des vitres des photocellules (utiliser un chiffon doux et légèrement humide) et l'élimination d'éventuelles feuilles ou de cailloux qui pourraient empêcher l'automatisme. **Important** – Avant de procéder et afin d'empêcher que quelqu'un puisse actionner accidentellement le portail, débloquent manuellement l'opérateur (voir le respectif manuel d'instructions).

• **Maintenance** : pour maintenir constant le niveau de sécurité et pour garantir la durée maximale de toute l'automatisation, une maintenance régulière est nécessaire (au moins tous les 6 mois). **Toute intervention de contrôle, maintenance ou réparation ne doit être effectuée que par un personnel qualifié.**

• **Mise au rebut** : à la fin de la vie de l'automatisation, s'assurer que le démantèlement soit effectué par un personnel qualifié et que les matériaux soient recyclés ou éliminés conformément aux normes en vigueur au niveau local.

• **Si l'automatisation a été bloquée avec la commande "Blocage automatique"** : après l'envoi d'une commande, le portail ne se déplace pas et le clignotant émet 9 clignotements brefs.

DÉBRAYER ET BLOQUER MANUELLEMENT L'OPÉRATEUR

L'opérateur est muni d'un système de débrayage mécanique qui permet d'ouvrir et de fermer manuellement le portail.

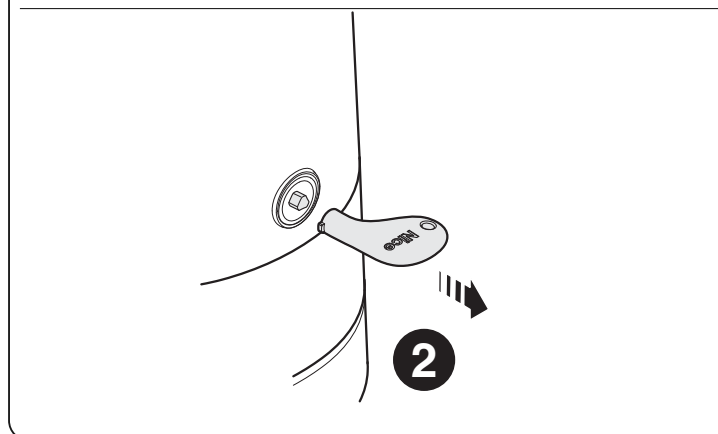
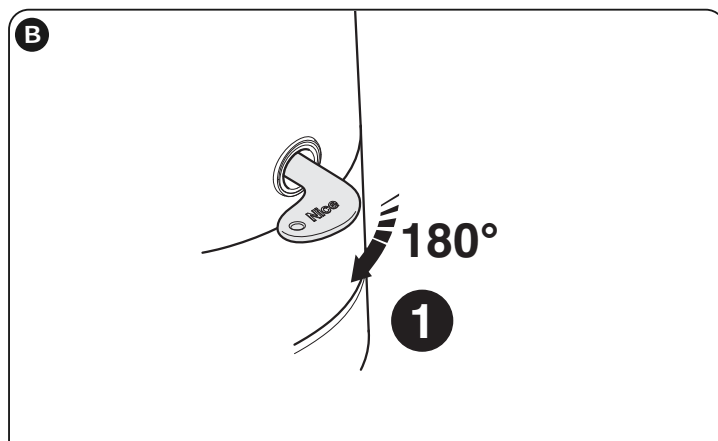
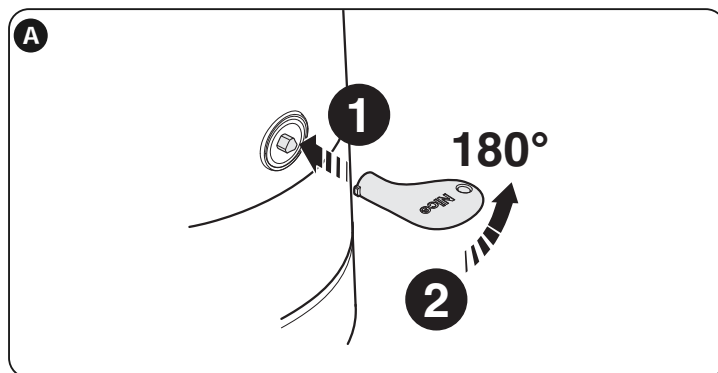
Ces opérations manuelles doivent être effectuées en cas de manque de courant électrique ou d'anomalies de fonctionnement ou dans les phases d'installation.

Releasing (fig. A):

01. Introduire la clé ;
02. Tourner la clé de 180° dans le sens inverse des aiguilles d'une montre ;
03. At this point the leaf can be moved manually to the required position.

Locking (fig. B):

01. Tourner la clé de 180° dans le sens des aiguilles d'une montre ;
02. Retirer la clé.



Instrucciones y advertencias destinadas al usuario

Antes de utilizar el automatismo por primera vez, solicite al instalador que le explique el origen de los riesgos residuales, y dedique algunos minutos a la lectura de este manual de instrucciones y advertencias del usuario que le ha entregado el instalador. Conserve el manual para cualquier duda futura y entréguelo al nuevo propietario en caso de traspaso del automatismo.

¡ATENCIÓN! – Su automatismo es una máquina que lleva a cabo sus órdenes de manera fiel; un uso imprudente e impropio puede hacer que resulte peligroso:

– No accione el movimiento del automatismo si hay personas, animales o cosas en su radio de acción.

– ¡Se prohíbe terminantemente tocar cualquier parte del automatismo mientras la puerta o portón está en movimiento!

– Las fotocélulas no son un dispositivo de seguridad, sino solo un dispositivo de apoyo a la seguridad. A pesar de haber sido fabricadas con tecnología de altísima fiabilidad, en situaciones extremas pueden experimentar fallos de funcionamiento o incluso averiarse; en ciertos casos la avería sufrida podría no resultar evidente. Por estos motivos, durante el uso del automatismo es necesario respetar las siguientes advertencias:

- El tránsito solo está permitido si la puerta o portón está completamente abierta y con las hojas detenidas

- ¡SE PROHÍBE TERMINAMENTE el tránsito mientras la puerta o portón se está cerrando!

- Compruebe periódicamente el correcto funcionamiento de las fotocélulas.

• **Niños:** una instalación de automatización garantiza un alto grado de seguridad; de hecho, gracias a sus sistemas de detección, controla y garantiza su movimiento en presencia de personas o cosas. De todos modos, conviene impedir que los niños jueguen cerca del automatismo y mantener los mandos a distancia fuera de su alcance, para evitar activaciones involuntarias: **¡no es un juguete!**

• El producto no está destinado a su uso por parte de personas (niños incluidos) cuyas capacidades físicas, sensoriales o mentales se hallen disminuidas, o que carezcan de la experiencia o conocimientos necesarios, a no ser que una persona responsable de su seguridad les proporcione supervisión o instrucciones acerca del uso del producto.

• **Anomalías:** si se percibe cualquier comportamiento anormal del automatismo, desconecte inmediatamente la alimentación eléctrica de la instalación y desbloquee manualmente el motorreductor (véase el manual de instrucciones correspondiente) para hacer funcionar la puerta manualmente. No efectúe ninguna reparación usted mismo: solicite la intervención de su instalador de confianza.

• **No modifique la instalación ni los parámetros de programación y regulación de la central de mando:** dichas tareas corresponden a su instalador.

• **Rotura o falta de alimentación:** a la espera de la intervención de su instalador o de que se restablezca la energía eléctrica, se puede utilizar la instalación de todos modos, aunque no disponga de batería compensadora: es necesario efectuar el desbloqueo manual del motorreductor (véase el manual de instrucciones correspondiente) y mover manualmente la hoja de la puerta hasta la posición deseada.

• **Dispositivos de seguridad fuera de servicio:** puede hacerse funcionar el automatismo incluso si alguno de los dispositivos de seguridad no funciona correctamente o se encuentra fuera de servicio. Se puede controlar la puerta en modalidad "hombre presente" siguiendo estas instrucciones:

01. Envíe un mando para accionar la puerta, mediante un transmisor o con un selector de llave, etc. Si todo funciona correctamente, la puerta se moverá normalmente; en caso contrario siga estos pasos:

02. Antes de que pasen 3 segundos, vuelva a accionar el mando y manténgalo accionado:

03. Pasados unos 2 segundos, la puerta ejecutará la maniobra solicitada en modalidad "hombre presente"; es decir, la puerta solo se moverá mientras se mantenga accionado el mando.

IMPORTANTE – Si los dispositivos de seguridad se encuentran fuera de servicio, se recomienda encargar su reparación a un técnico cualificado lo antes posible.

• El ensayo, las operaciones de mantenimiento periódico y las posibles reparaciones deberán ser documentadas por quien lleva a cabo las tareas: los documentos deberán ser conservados por el propietario de la instalación. Las únicas intervenciones que puede realizar el usuario periódicamente son la limpieza de los cristales de las fotocélulas (utilice un paño suave y ligeramente humedecido) y la eliminación de posibles hojas o piedras que pudieran suponer un obstáculo para el automatismo. **Importante** – Antes de comenzar las operaciones, para impedir que alguien pueda accionar la puerta inadvertidamente, desbloquee manualmente el motorreductor (véase el manual de instrucciones correspondiente).

• **Mantenimiento:** para mantener constante el nivel de seguridad y garantizar una máxima durabilidad de todo el automatismo, es necesario llevar a cabo un mantenimiento regular (al menos cada 6 meses). **Cualquier intervención de revisión, mantenimiento o reparación deberá ser efectuada solo por personal cualificado.**

• **Eliminación:** al final de la vida útil del automatismo, asegúrese de que el desguace sea realizado por personal cualificado y que los materiales sean reciclados o eliminados conforme a las normas vigentes a nivel local.

• **Si se ha bloqueado el automatismo con el mando "Bloquear automatismo":** tras enviar un mando, la puerta no se mueve y la luz intermitente emite 9 parpadeos breves.

DESBLOQUEO Y BLOQUEO MANUAL DEL MOTORREDUCTOR

El motorreductor está equipado con un sistema de desbloqueo mecánico que permite abrir y cerrar la cancela manualmente.

Estas operaciones manuales deben llevarse a cabo si se cortara la corriente eléctrica, si se produjeran desperfectos en el funcionamiento o durante las etapas de instalación.

Desbloqueo (fig. A):

01. Introduzca la llave;

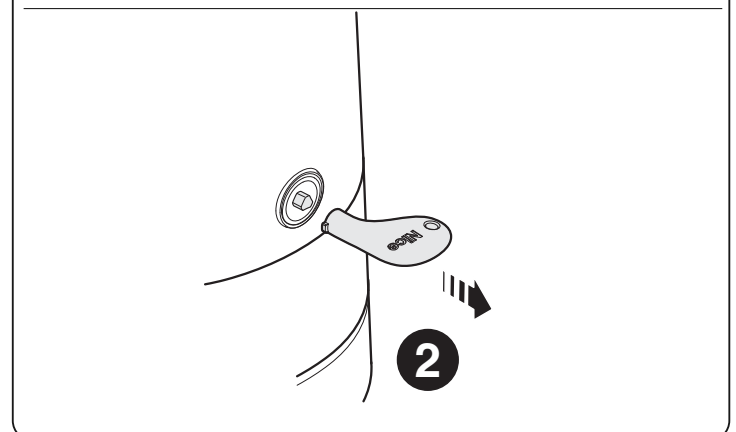
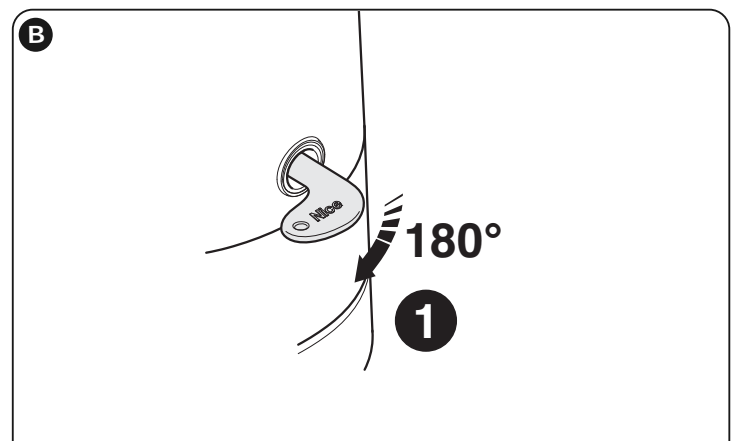
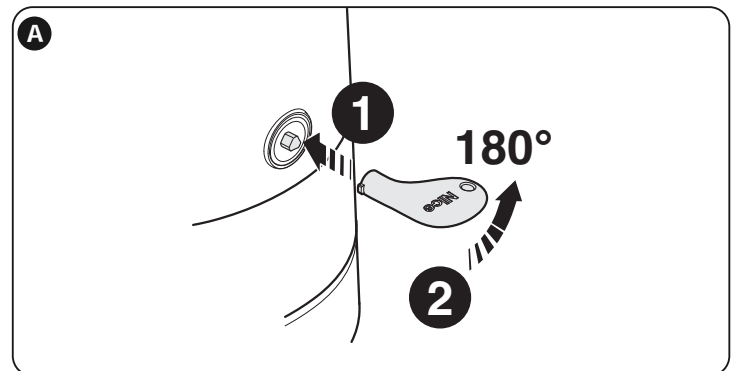
02. Gire la llave en el sentido antihorario (180°);

03. Entonces, la hoja se podrá mover manualmente hacia la posición deseada.

Bloqueo (fig. B):

01. Gire la llave 180° en el sentido horario;

02. Extraiga la llave.



Anweisungen und Hinweise für den Benutzer

Bevor man zum ersten Mal die Automatisierung benutzt, sich vom Installateur die Ursache der Restgefahren erklären lassen und die Zeit zum Durchlesen dieser Gebrauchsanweisung und der Hinweise für den Benutzer finden, die vom Installateur überlassen wurden. Die Gebrauchsanweisung für ein Nachschlagen bei späteren Zweifeln und für die Weitergabe an einen eventuellen neuen Besitzer der Automatisierung aufbewahren.

ACHTUNG! – Ihre Automatisierung ist ein Gerät, dass getreu Ihre Befehle ausführt: ein leichtsinniger und unsachgemäßer Gebrauch kann sie zu einer Gefahrenquelle werden lassen:

- Nicht die Bewegung der Automatisierung veranlassen, wenn sich in ihrem Aktionsradius Personen, Tiere oder Gegenstände befinden.
- Das Berühren der Automatisierungsteile während der Bewegung des Tors oder der Eingangstür ist absolut verboten!
- Die Fotozellen sind keine Sicherheitsvorrichtung, sondern nur eine zusätzliche Einrichtung zur Sicherheit. Sie sind mit einer äußerst zuverlässigen Technologie konstruiert, können aber in extremen Situationen Störungen aufweisen oder beschädigt werden. In einigen Fällen könnte der Schaden nicht sofort bemerkt werden. Aus diesen Gründen müssen während des Gebrauchs der Automatisierung folgende Hinweise beachtet werden:
 - Das Durchqueren ist nur erlaubt, wenn das Tor oder die Eingangstür ganz offen ist und die Flügel stillstehen.
 - Wenn sich das Tor oder die Eingangstür schließt, ist das Durchqueren **STRIKT VERBOTEN!**
 - Den einwandfreien Betrieb der Fotozellen regelmäßig prüfen.

• **Kinder:** eine Automatisierungsanlage gewährt einen hohen Sicherheitsgrad; mit ihrem Erfassungssystem kontrolliert und garantiert sie ihre Bewegung in Anwesenheit von Personen oder Gegenständen. Als Vorsichtsmaßnahme sollten Kinder nicht in der Nähe der Automatisierung spielen und die Fernbedienungen sollten sich außerhalb ihrer Reichweite befinden, um ungewollte Aktivierungen auszuschließen: **sie sind kein Spielzeug!**

• Das Produkt darf nicht von Personen (einschließlich Kinder) mit eingeschränkten körperlichen, geistigen oder wahrnehmlich gestörten Fähigkeiten oder fehlender Erfahrung oder Kenntnis benutzt werden, es sei denn, eine für ihre Sicherheit verantwortliche Person überwacht sie oder unterweist sie im Gebrauch des Produkts.

• **Störungen:** sobald ein ungewöhnliches Verhalten der Automatisierung auftritt, die Stromversorgung zur Anlage unterbrechen und die manuelle Entriegelung des Getriebes vornehmen (siehe entsprechende Gebrauchsanweisung), damit das Tor im Handbetrieb arbeitet. Nicht reparieren, sondern einen zuverlässigen Installateur verständigen.

• Die Anlage und die Parameter der Programmierung und der Einstellung des Steuergerätes nicht ändern: hierfür ist der Installateur verantwortlich.

• **Beschädigung oder Stromausfall:** während man auf den Installateur oder auf die Stromrückkehr wartet, kann die Automatisierung auch wenn keine Pufferbatterie vorhanden ist, trotzdem benutzt werden: von Hand das Getriebe entriegeln (siehe entsprechende Gebrauchsanweisung) und den Torflügel manuell wie gewünscht bewegen.

• **Ausgefallene Sicherheitsvorkehrungen:** die Automatisierung kann auch dann funktionieren, wenn Sicherheitsvorkehrungen nicht funktionieren oder ausgefallen sind. Das Tor kann im Modus "Totmann" bedient werden, dazu wie folgt vorgehen:

01. Mit einem Sender oder einem Schlüsselwahlschalter, usw. einen Befehl zur Betätigung des Tors senden. Wenn alles sachgerecht funktioniert, bewegt sich das Tor ordnungsgemäß, ansonsten wie folgt vorgehen:
02. innerhalb 3 Sekunden den Befehl erneut erteilen und ihn betätigt halten;
03. nach etwa 2 Sekunden führt das Tor das verlangte Manöver im Modus "Totmann" aus; das heißt, das Tor bewegt sich nur so lange wie die Bedienung betätigt wird.

WICHTIG! – Wenn die Sicherheitsvorrichtungen ausgefallen sind, sollten sie so schnell wie möglich von einem qualifizierten Techniker repariert werden.

• Die Endabnahmen, regelmäßigen Wartungen und eventuelle Reparaturen von demjenigen, der die Arbeiten durchführt schriftlich festgehalten werden. Die Schriftstücke müssen vom Anlagenbesitzer aufbewahrt werden. Die einzigen Eingriffe, die der Besitzer regelmäßig durchführen kann, sind die Reinigung der Glasscheiben der Fotozellen (ein weiches und leicht angefeuchtetes Tuch benutzen) und das Entfernen von Blättern und Steinen, die die Automatisierung behindern könnten. **Wichtig** – Zuvor muss das Getriebe von Hand entriegelt werden, damit das Tor nicht unversehens betätigt wird (siehe betreffende Gebrauchsanweisung).

• **Wartung:** Um das Sicherheitsniveau immer beizubehalten und die maximale Haltbarkeit zu gewährleisten ist eine regelmäßige Wartung notwendig (mindestens alle 6 Monate). Jede Kontrolle, Wartung und Reparatur muss von qualifiziertem Personal durchgeführt werden.

• **Entsorgung:** Wenn die Automatisierung nicht mehr verwendbar ist, sicher stellen, dass die Zerlegung durch qualifiziertes Personal erfolgt und die Materialien nach den örtlichen, geltenden Bestimmungen wiederverwertet oder entsorgt werden.

• **Falls die Automatisierung mit der Bedienung "Automatisierung blockieren" blockiert wurde:** nach dem Senden eines Befehls bewegt sich das Tor nicht und das Blinklicht blinkt 9-mal kurz auf.

MANUELLES BLOCKIEREN UND ENTRIEGELN DES ANTRIEBS

Der Antrieb ist mit einem mechanischen Entriegelungssystem ausgestattet, das die manuelle Öffnung und Schließung ermöglicht.

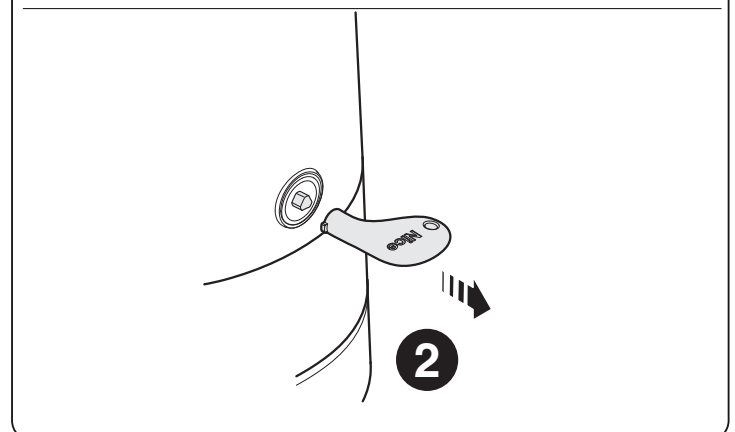
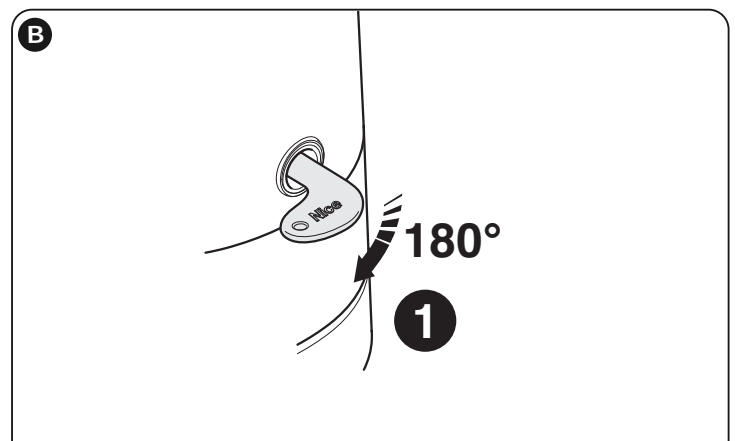
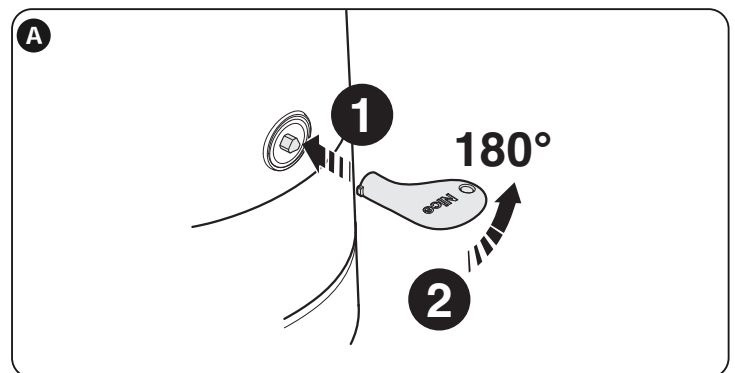
Diese manuellen Verfahren müssen bei Stromausfall oder Betriebsstörungen und während der Installation ausgeführt werden.

Entriegeln (Abb. 10-1):

01. Den Schlüssel einführen;
02. Den Schlüssel um 180° gegen den Uhrzeigersinn drehen;
03. Der Torflügel kann nun von Hand in die gewünschte Stellung verschoben werden.

Sperrn (Abb. 10-2):

01. Den Schlüssel um 180° im Uhrzeigersinn drehen;
02. Den Schlüssel herausziehen.



INSTRUKCJE I WSKAZÓWKI DLA UŻYTKOWNIKA

Przed pierwszym użyciu automatyki zaleca się poproszenie osoby, która dokonała montażu o wyjaśnienie, jakie zagrożenia mogą pojawić się w czasie użytkowania bramy oraz zaleca się przeznaczenie kilku minut na przeczytanie instrukcji i ostrzeżeń dla użytkownika, przekazanych przez osobę, która dokonała montażu. Instrukcję obsługi należy zachować na przyszłość i przekazać ją ewentualnemu nowemu właścicielowi automatyki.

UWAGA! – Państwa automat jest maszyną, który dokładnie wykonuje Wasze polecenia; niewłaściwe lub nieuprawnione użycie może stać się niebezpieczne:

- Nie sterujcie ruchem bramy, jeśli w jej pobliżu znajdują się osoby, zwierzęta lub przedmioty.
- **Bezwzględnie zabrania się dotykania części automatyki, gdy brama lub drzwi są w ruchu!**
- **Fotokomórki nie są urządzeniami zabezpieczającymi, są wyłącznie pomocniczymi urządzeniami bezpieczeństwa. Zostały skonstruowane w oparciu o technologię o wysokiej niezawodności, w ekstremalnych sytuacjach mogą jednakże funkcjonować nieprawidłowo lub nawet ulec uszkodzeniu, a w niektórych przypadkach uszkodzenie może nie być natychmiast widoczne. Dlatego, w trakcie użytkowania automatyki należy koniecznie postępować zgodnie z następującymi zaleceniami:**
 - Przejazd jest dozwolony wyłącznie, jeżeli brama lub drzwi są całkowicie otwarte, a skrzydła unieruchomione.
 - **BEZWZGLĘDNIEM ZABRANIA SIĘ** przejeżdżania podczas kiedy brama lub drzwi zamykają się!
 - Należy okresowo sprawdzać prawidłową pracę fotokomórek.

• **Dzieci:** automatka gwarantuje wysoki poziom bezpieczeństwa, a niezawodne fotokomórki uniemożliwiają wykonanie ruchu w obecności osób lub rzeczy. Mimo to lepiej zabronić dzieciom bawienia się w pobliżu automatyki oraz nie zostawiać nigdy pilotów bez nadzoru, aby uniknąć nieumyślnej aktywacji urządzenia: **to nie zabawka!**

• Produkt nie może być użytkowany przez osoby (w tym dzieci) o ograniczeniach fizycznych lub umysłowych, a także przez tych, którzy nie posiadają stosownego doświadczenia lub wiedzy, o ile nie mają możliwości skorzystania z nadzoru lub instrukcji dotyczących użytkowania produktu, za pośrednictwem osób odpowiedzialnych za ich bezpieczeństwo.

• **Anomalie:** w przypadku odnotowania jakichkolwiek anomalii w funkcjonowaniu automatyki należy od razu odłączyć zasilanie i wysprzęglić ręcznie siłownik, (zobacz stosowną instrukcję obsługi), by brama zadziałała w trybie ręcznym. Nie próbować samemu naprawiać urządzenia, lecz zwrócić się o pomoc do zaufanej osoby ds. instalacji.

• **Nie należy modyfikować urządzenie ani parametrów programowania i regulację centrali sterującej: za te czynności odpowiedzialna jest osoba wykonująca instalację.**

• **Uszkodzenie lub brak zasilania:** podczas oczekiwania na osobę ds. instalacji lub na przywrócenie zasilania, jeśli instalacja nie jest wyposażona w akumulator rezerwowy, automatyka może być normalnie obsługiwana: w tym celu należy wysprzęglić siłownik (zobacz stosowną instrukcję obsługi) i ręcznie w dowolny sposób poruszyć skrzydłem bramy.

• **Sterowanie przy niesprawnych urządzeniach zabezpieczających:** istnieje możliwość sterowania bramą, nawet wówczas, gdy urządzenia zabezpieczające nie działają prawidłowo. Możliwe jest sterowanie bramy w trybie **“w obecności operatora”**, postępując w sposób następujący:

01. Wybrać polecenie uruchamiające bramę za pomocą nadajnika lub przełącznika kluczykowego, itd. Jeśli wszystko prawidłowo funkcjonuje, brama porusza się regularnie, w przeciwnym razie należy postępować następująco:
02. Przed upływem 3 sekund należy ponownie wybrać polecenie, które ma zostać wykonane;
03. Po ok.2 sekundach, brama wykona manewr wymagany w trybie **“w obecności operatora”**; tzn. brama będzie się poruszać tylko wtedy, gdy wciśnięty będzie przycisk polecenia.

WAŻNE! – Jeśli urządzenia zabezpieczające są niesprawne, zaleca się jak najszybsze wykonanie naprawy przez wykwalifikowanego technika.

• Odbiór techniczny, konserwacje okresowe i ewentualne naprawy muszą być udokumentowane przez osoby wykonujące te czynności; dokumenty muszą być zachowane przez właściciela systemu. Jedyne czynności, które może okresowo wykonywać użytkownik to czyszczenie szyb fotokomórek (użyć miękkiej i lekko wilgotnej ściereczki) i usuwanie ewentualnych liści lub kamieni, które mogłyby przeszkodzić w ruchu bramy. **Ważne** – Przed rozpoczęciem czynności, aby niedopuszczyć do przypadkowego uruchomienia bramy przez kogokolwiek, należy odblokować ręcznie siłownik (zobacz stosowną instrukcję obsługi).

• **Konserwacja:** w celu utrzymania stałego poziomu bezpieczeństwa i zagwarantowania maksymalnej trwałości całego systemu automatyki, konieczna jest regularna konserwacja (przynajmniej co 6 miesięcy). **Wszystkie czynności kontrolne, konserwacyjne lub naprawcze muszą być wykonane jedynie przez wykwalifikowany personel.**

• **Utylizacja:** po zakończeniu żywotności automatyki, czynności związane z demontażem muszą być wykonane przez wykwalifikowany personel, a materiały muszą zostać poddane utylizacji lub mogą zostać powtórnie użyte, zgodnie z obowiązującymi normami lokalnymi.

• **Jeśli automatyka została zablokowana przez polecenie “Zablokuj automatykę”:** po wysłaniu polecenia, brama nie rusza się, a lampka sygnalizacyjna powinna mignąć 9 razy.

BLOKOWANIE I ODBLOKOWYWANIE MOTOREDUKTORA W TRYBIE RĘCZNYM

Motoreduktor jest wyposażony w mechaniczny system odblokowujący, który umożliwia otwieranie i zamykanie bramy w trybie ręcznym.

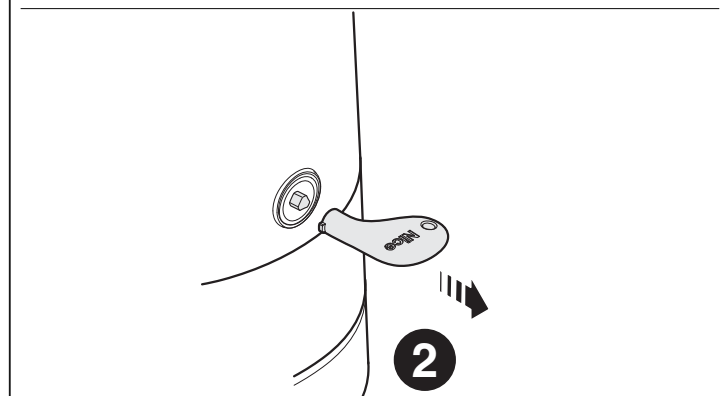
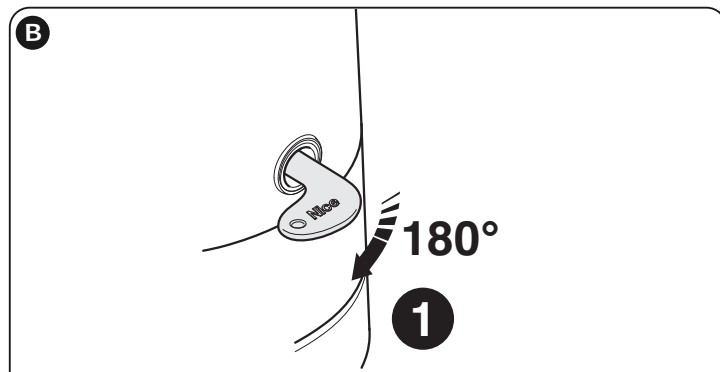
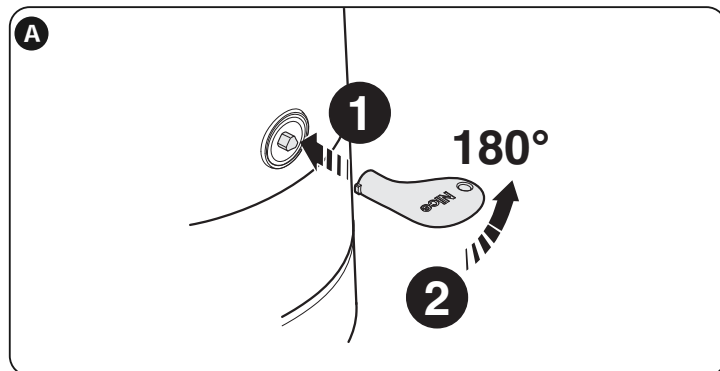
Te operacje wykonywane trybie ręcznym są niezbędne w przypadku braku prądu elektrycznego, nieprawidłowego funkcjonowania bramy lub podczas faz montażu.

Odblokowanie (rys. A):

01. Włóż klucz;
02. Obróć klucz w kierunku przeciwnym do ruchu wskazówek zegara (180°);
03. Teraz będzie możliwe ręczne przesunięcie skrzydła bramy do wybranego położenia.

Blokowanie (rys. B):

01. Obróć klucz o 180° w kierunku zgodnym z ruchem wskazówek zegara;
02. Wyjmij klucz.



Instructies en waarschuwingen voor de gebruiker

Voordat u de automatisering voor de eerste keer gebruikt, moet de installateur u de oorsprong van de restricties uitleggen. Wijd enkele minuten aan het lezen van deze handleiding en waarschuwingen voor de gebruiker, die de installateur u gegeven heeft. Bewaar deze handleiding om haar ook in de toekomst te kunnen raadplegen en geef haar aan een eventuele nieuwe eigenaar van de automatisering.

LET OP! – Uw automatisering is een machine die op betrouwbare wijze uw opdrachten uitvoert. Door een onverantwoordelijk en oneigenlijk gebruik kan ze gevaarlijk worden:

- Bedien de beweging van de automatisering niet als zich personen, dieren of voorwerpen binnen haar actieradius bevinden.
- Het is strikt verboden aan delen van de automatisering te komen, terwijl het hek of de poort in beweging is!
- De fotocellen zijn geen veiligheidsinrichting, maar slechts een hulpmiddel voor de veiligheid. Ze zijn volgens een zeer betrouwbare technologie gemaakt, maar kunnen onder extreme omstandigheden een storing hebben of zelfs kapotgaan en in sommige gevallen kan de storing niet meteen duidelijk zijn. Daarom moet tijdens het gebruik van de automatisering op de volgende waarschuwingen worden gelet:
 - De doorgang is alleen toegestaan als het hek of de poort helemaal geopend is en de deuren stilstaan
 - HET IS STRIKT VERBODEN het hek of de poort in of uit te gaan, terwijl het sluit!
 - Controleer de goede werking van de fotocellen regelmatig.

• **Kinderen:** een automatisering garandeert een hoge veiligheidsgraad. Door haar detectiesystemen controleert en belet ze de beweging ervan in aanwezigheid van personen of voorwerpen. Het is echter verstandig kinderen te verbieden in de buurt van de automatisering te spelen en de afstandbedieningen buiten hun bereik te houden om ongewenste inschakelingen te vermijden: **het is geen speelgoed!**

• Het is niet de bedoeling dat dit product wordt gebruikt door personen (kinderen hierbij inbegrepen) met verminderde lichamelijke, sensorische of geestelijke vermogens, of zonder voldoende ervaring en kennis, tenzij het onder toezicht van een voor hun veiligheid verantwoordelijke persoon wordt gebruikt, of hen door hem goede instructies zijn gegeven over het gebruik van het product.

• **Storing:** als de automatisering zich ongewoon gedraagt, neemt u de elektrische voeding van de installatie en deblokkeert u de reductiemotor handmatig (zie de bijbehorende handleiding) om het hek handmatig te laten werken. Repareer het hek niet te repareren, maar wend u tot uw vertrouwde installateur.

• **Breng geen wijzigingen aan de installatie en de programmerings- en afstelparameters van de besturingseenheid aan: dit is de verantwoordelijkheid van uw installateur.**

• **Defect of stroomuitval:** in afwachting van de reparatie door uw installateur of tot de stroom terugkomt, kan de automatisering als de installatie geen bufferbatterij heeft toch worden gebruikt: de reductiemotor moet handmatig worden gedeblokkeerd (zie de bijbehorende handleiding). Beweeg de hekdeur met de hand naar wens.

• **Veiligheidsinrichtingen buiten gebruik:** u kunt de automatisering toch laten werken, ook als een veiligheidsinrichting het niet goed of helemaal niet doet. Het hek kan ook op de "dodemansstand" worden bestuurd, door als volgt te handelen:

01. Stuur een opdracht met een zender of een sleutelschakelaar, enz. om het hek in te schakelen. Als alles goed werkt, beweegt het hek zich regelmatig. Handel anders als volgt:
02. schakel de besturing binnen 3 seconden nogmaals in en houd ze ingeschakeld;
03. Na ongeveer 2 seconden verricht het hek de manoeuvre die op de "dodemansstand": gevraagd is en d.w.z. dat het hek zich alleen blijft bewegen, zolang de besturing ingeschakeld wordt gehouden.

BELANGRIJK! – Als de veiligheidsinrichtingen buiten gebruik zijn, wordt aangeraden ze zo gauw mogelijk door een vakman te laten repareren.

• De test, het periodieke onderhoud en de eventuele reparaties moeten worden gedocumenteerd door degene die het werk verricht. De papieren moeten door de eigenaar van de installatie worden bewaard. De enige ingrepen die de gebruiker periodiek kan verrichten, zijn het schoonmaken van het glas van de fotocellen (gebruik een zachte, lichtelijk vochtige doek) en het verwijderen van eventuele bladeren of stenen, die het automatische systeem kunnen belemmeren. **Belangrijk** – Voordat u begint, deblokkeert u de reductiemotor handmatig (zie de bijbehorende handleiding) om te voorkomen dat iemand het hek per ongeluk in werking kan stellen).

• **Onderhoud:** om het veiligheidsniveau constant te houden en een maximale levensduur van de hele automatisering te garanderen, is regelmatig onderhoud nodig (minstens om de 6 maanden). **Alle controles, onderhoud, of reparaties mogen alleen door vakmensen worden verricht.**

• **Afdanken:** aan het einde van het leven van de automatisering moet u zich ervan verzekeren, dat de ontmanteling door vakmensen wordt verricht en dat de materialen volgens de geldende lokale voorschriften worden gerecycled of afgedankt.

• **Als de automatisering met de bediening "Automatisering blokkeer" is geblokkeerd:** na een opdracht te hebben verstuurd, beweegt het hek zich niet en knippert het knipperlicht 9 keer kort.

HANDMATIG ONTGRENDELEN EN VERGRENDELEN VAN DE REDUCTIEMOTOR

De reductiemotor is uitgerust met een mechanisch ontgrendelingsysteem dat het mogelijk maakt de poort handmatig te openen en te sluiten.

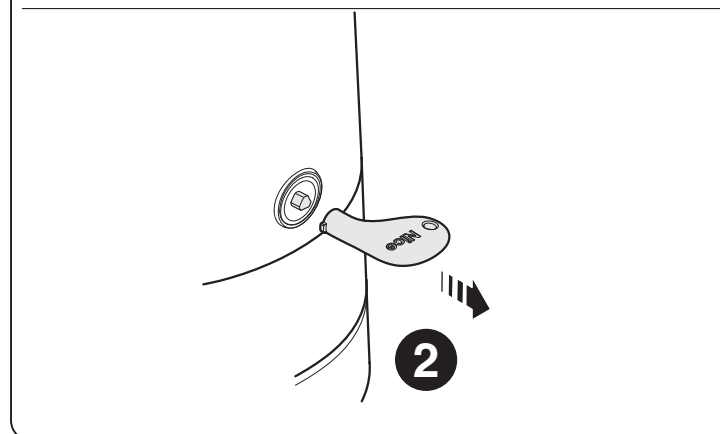
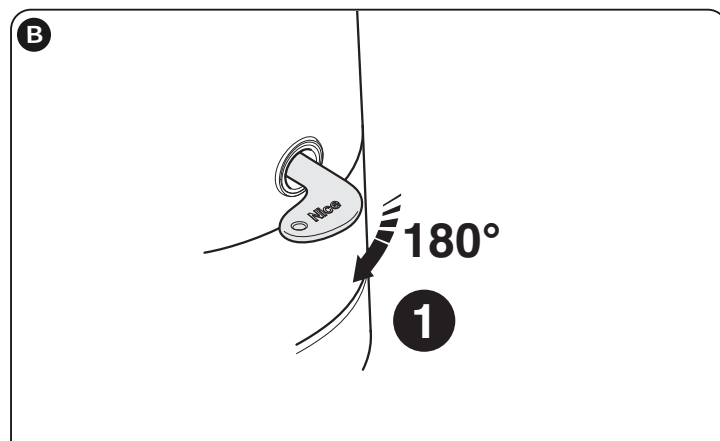
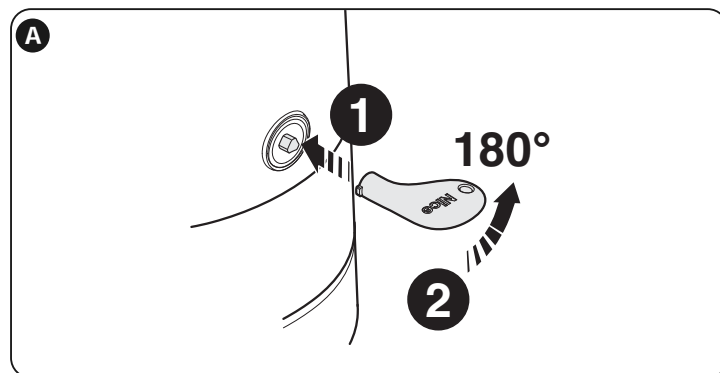
Deze handmatige handelingen moeten worden uitgevoerd in het geval dat de stroom uitvalt, bij storingen in de werking of gedurende de installatie.

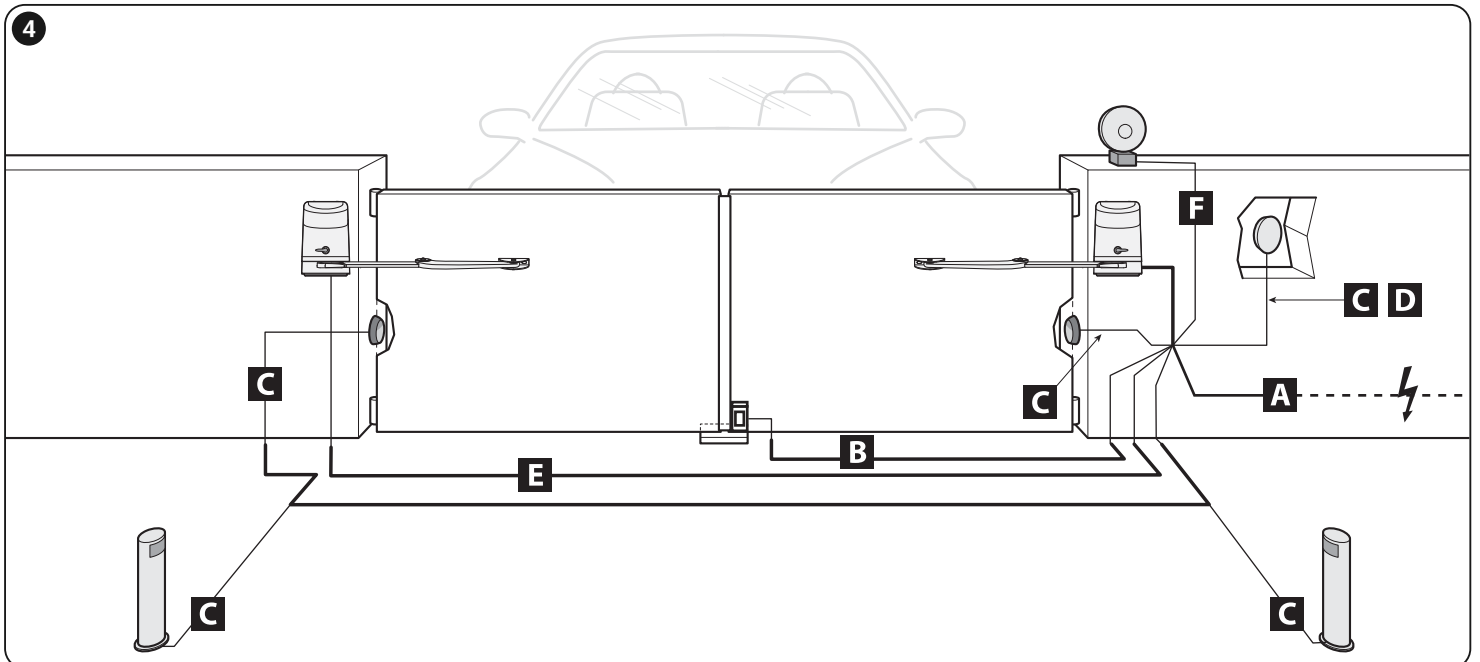
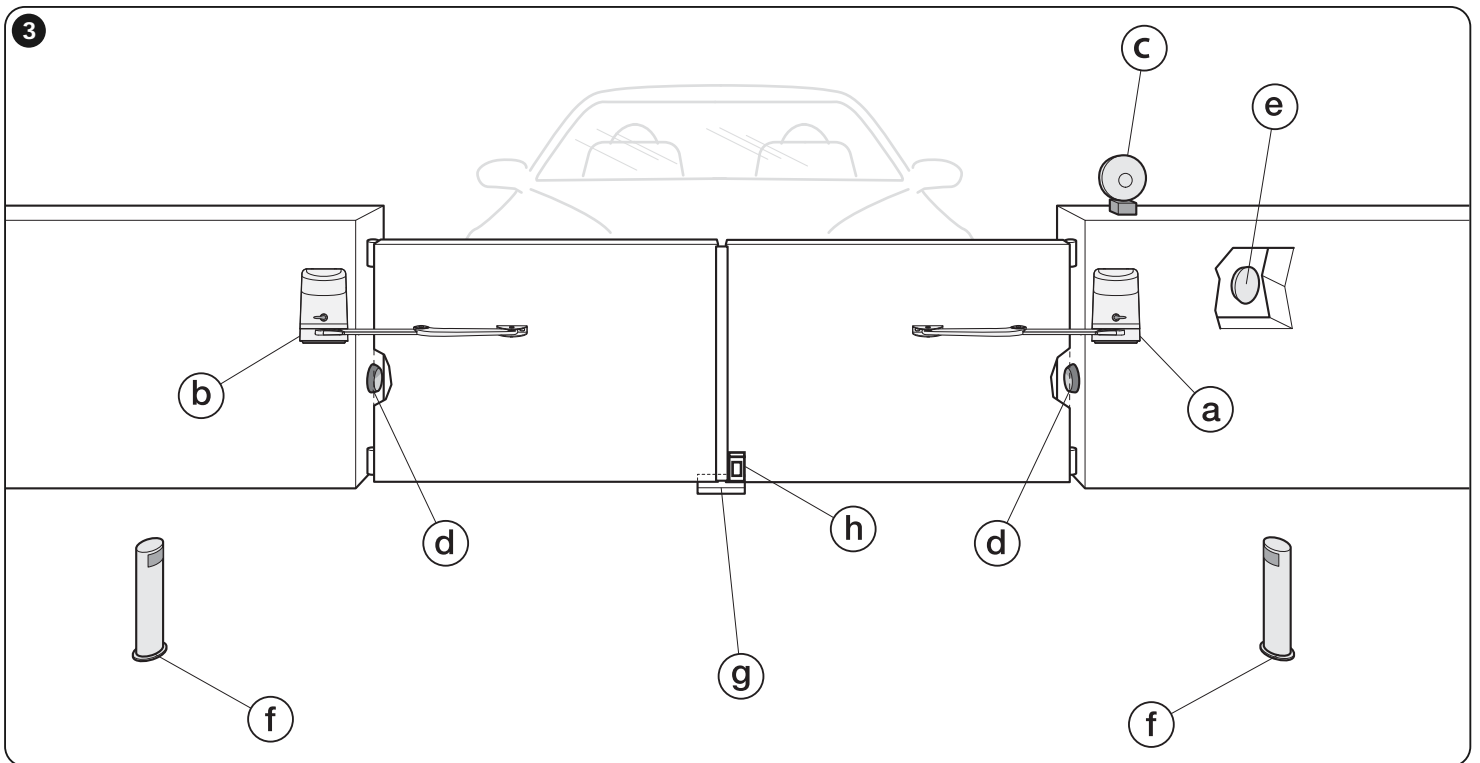
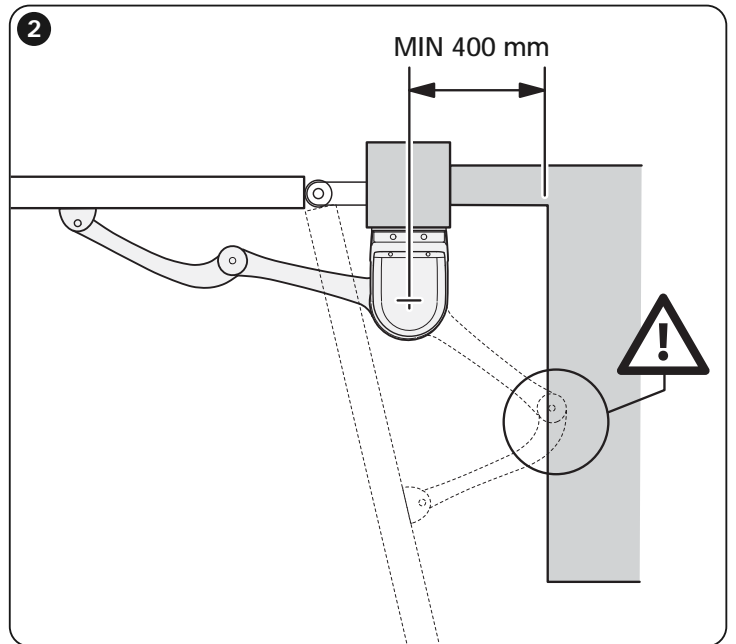
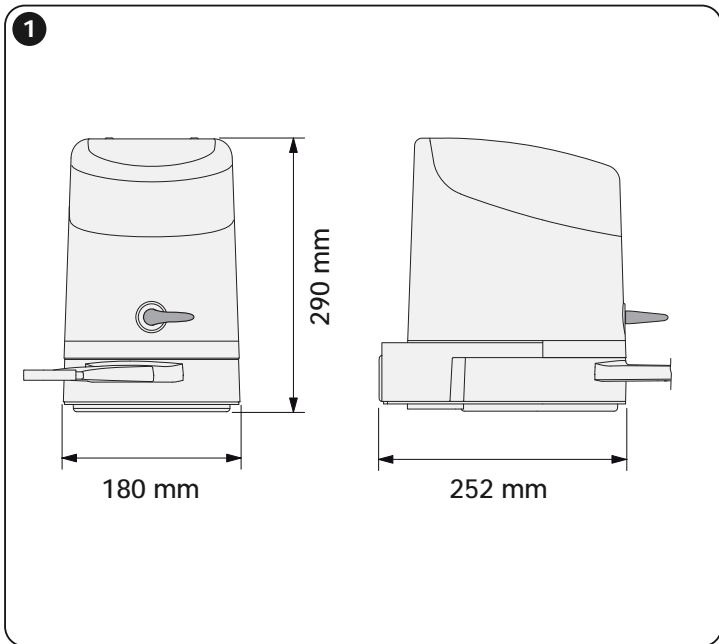
Ontgrendelen (afb. 10-1):

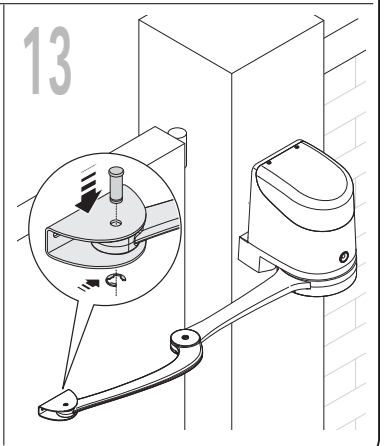
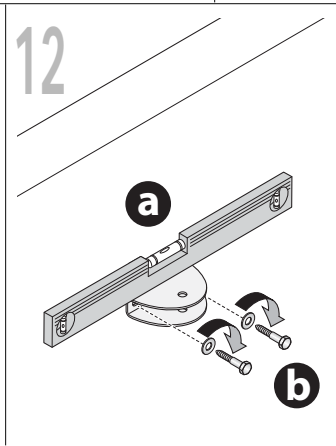
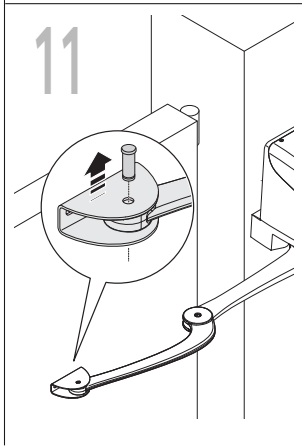
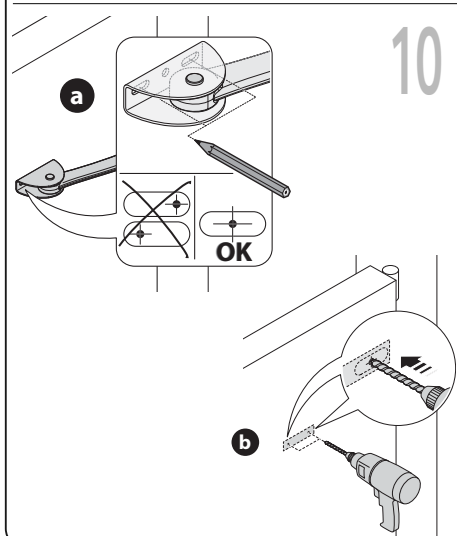
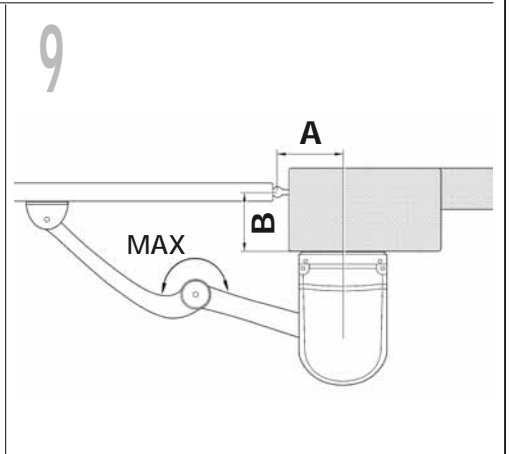
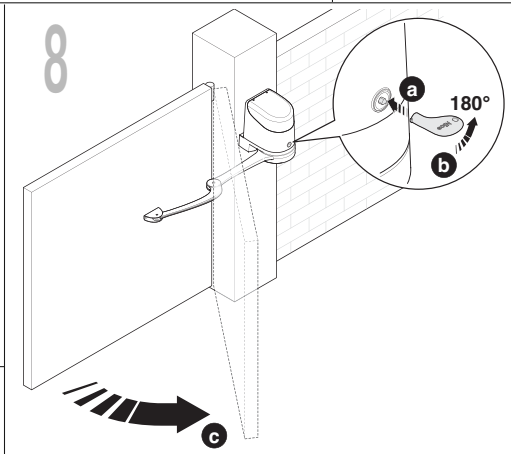
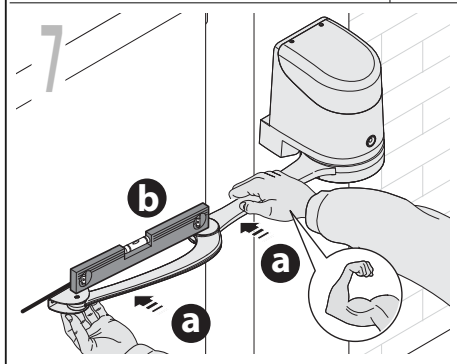
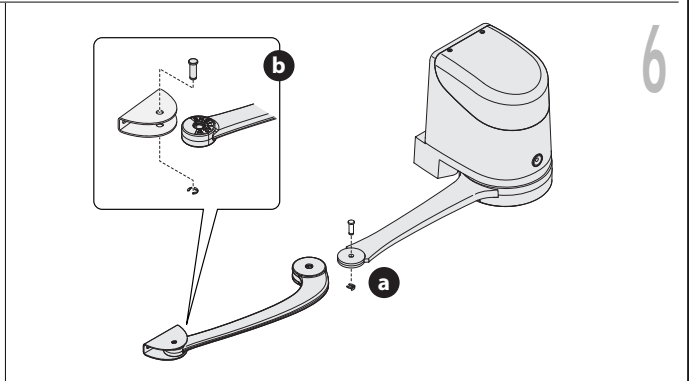
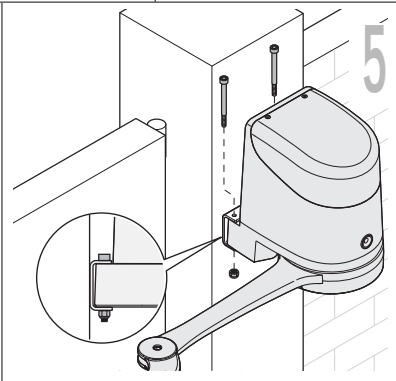
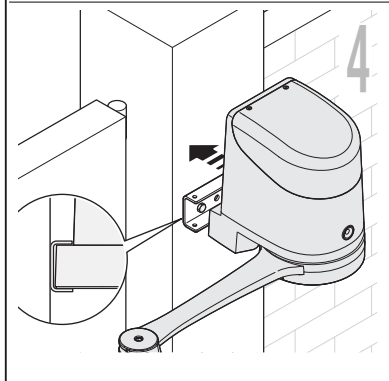
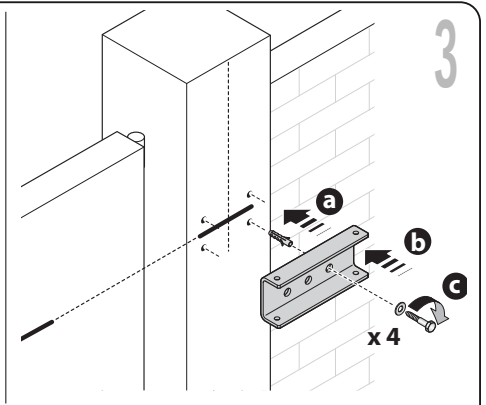
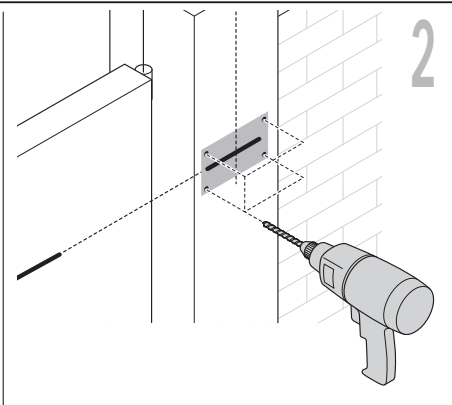
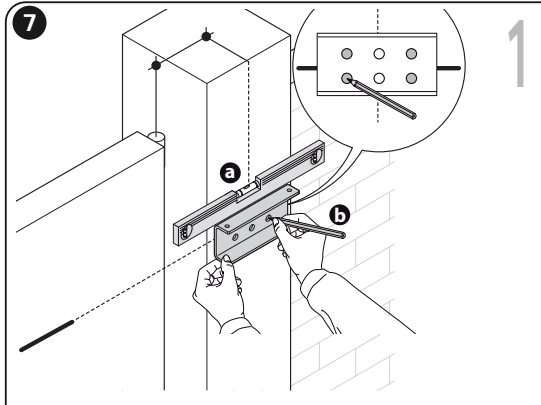
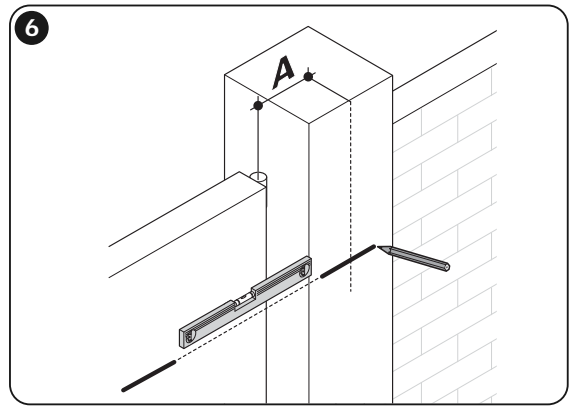
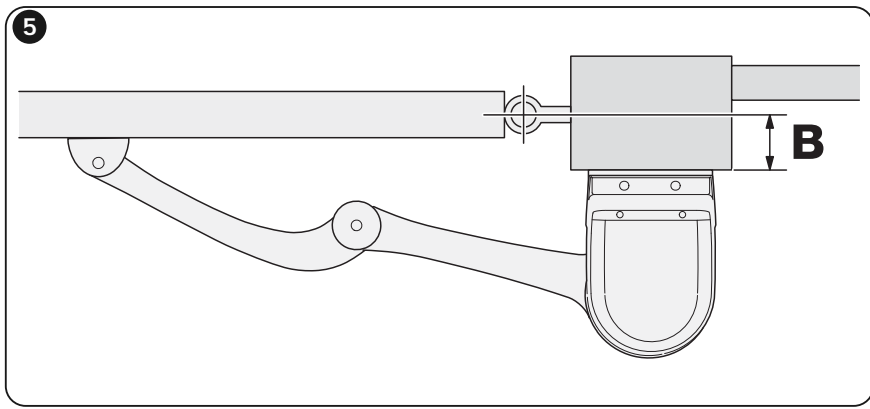
01. Steek de sleutel in;
02. Draai de sleutel tegen de klok in (180°);
03. Op dit punt is het mogelijk de vleugel met de hand in de gewenste positie te zetten.

Vergrendelen (afb. B):

01. Draai de sleutel 180° met de klok mee;
02. Trek de sleutel eruit.

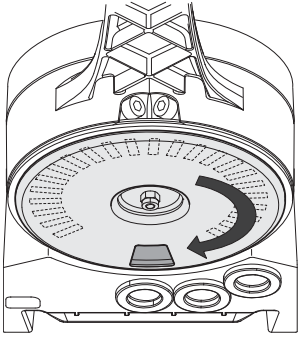




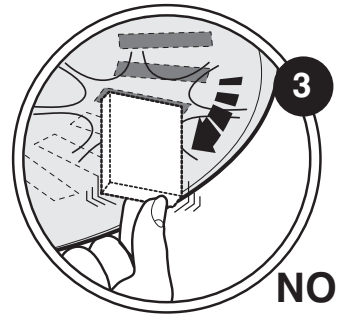
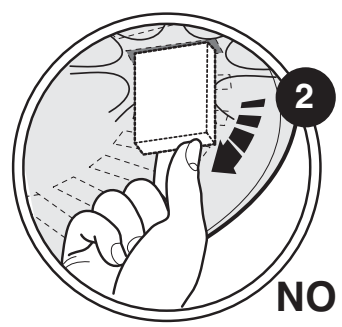
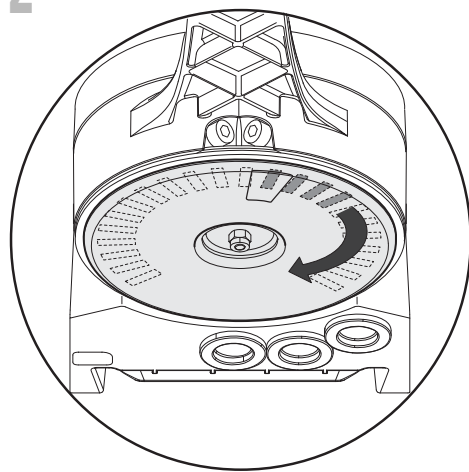


8

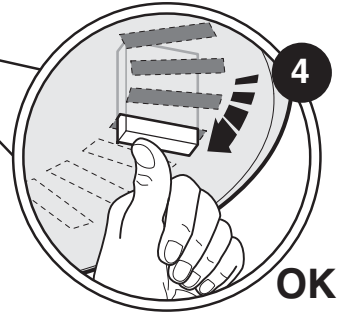
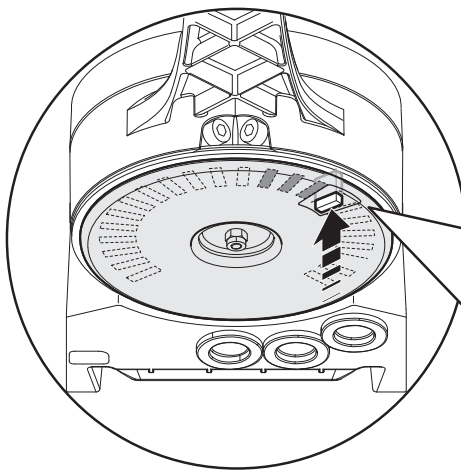
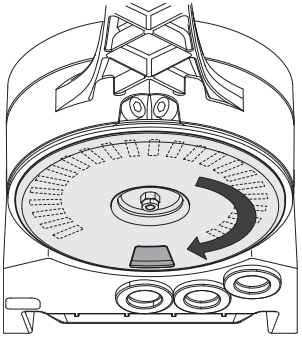
1



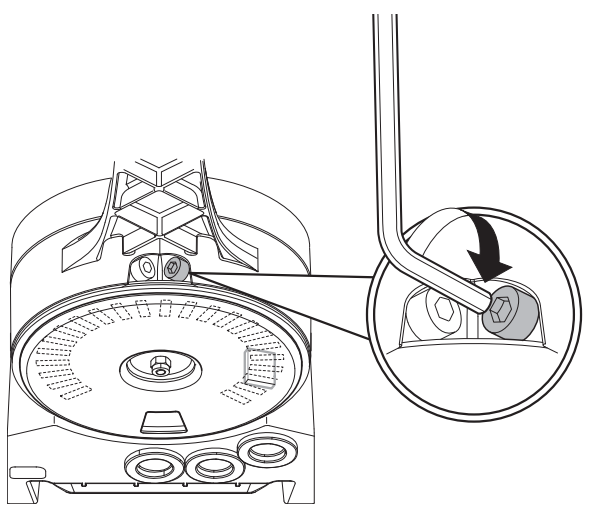
2



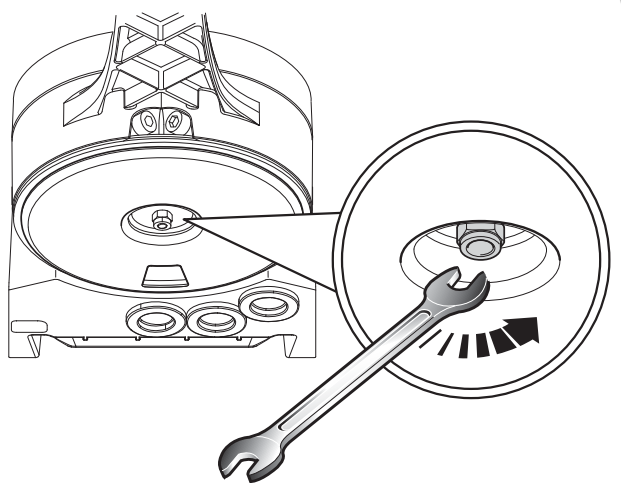
3



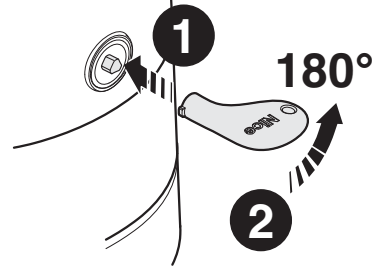
4



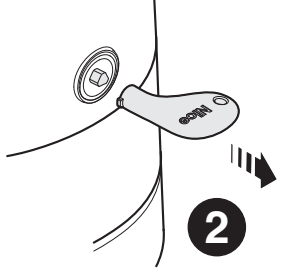
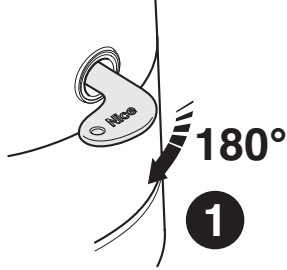
5

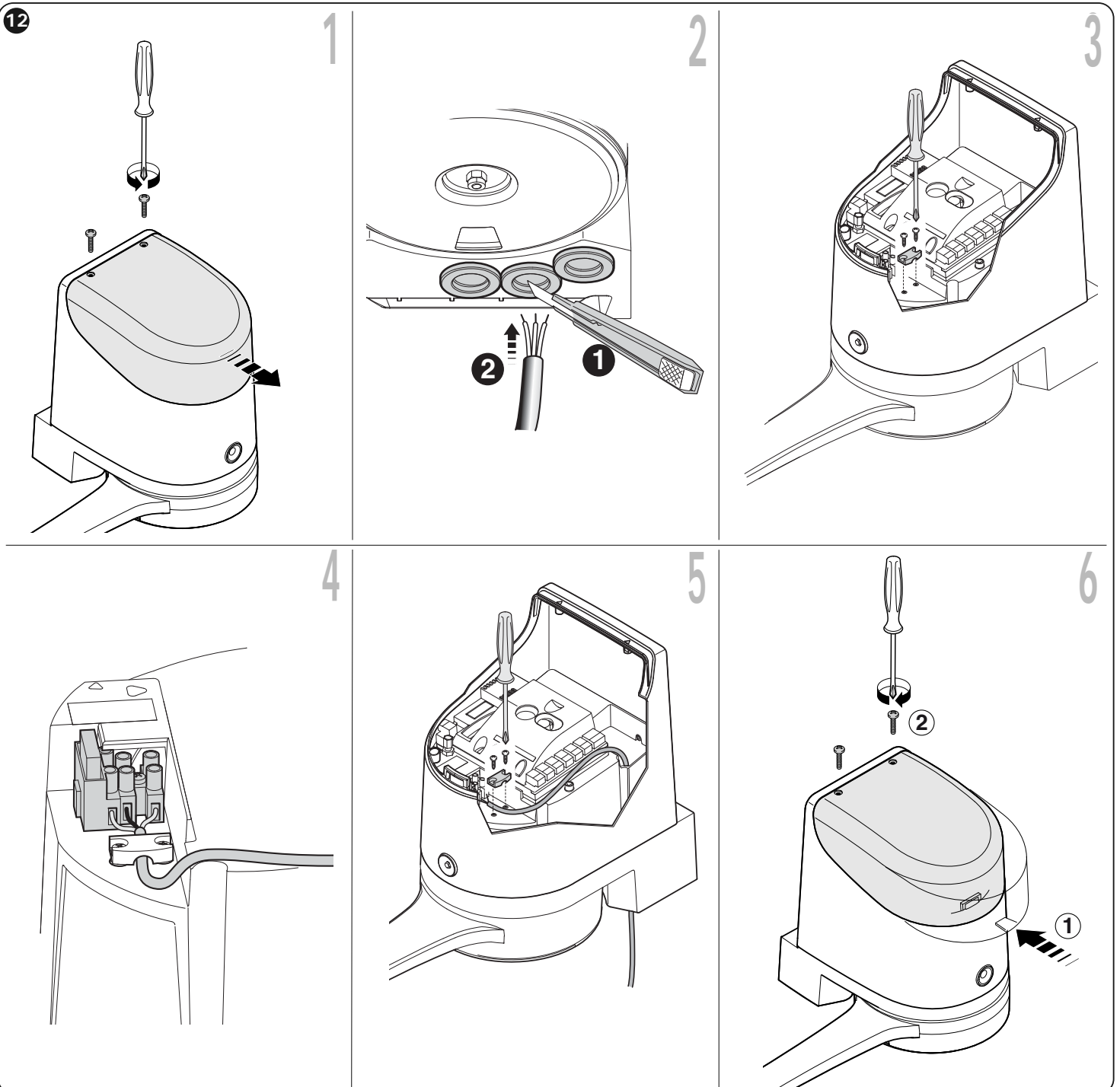
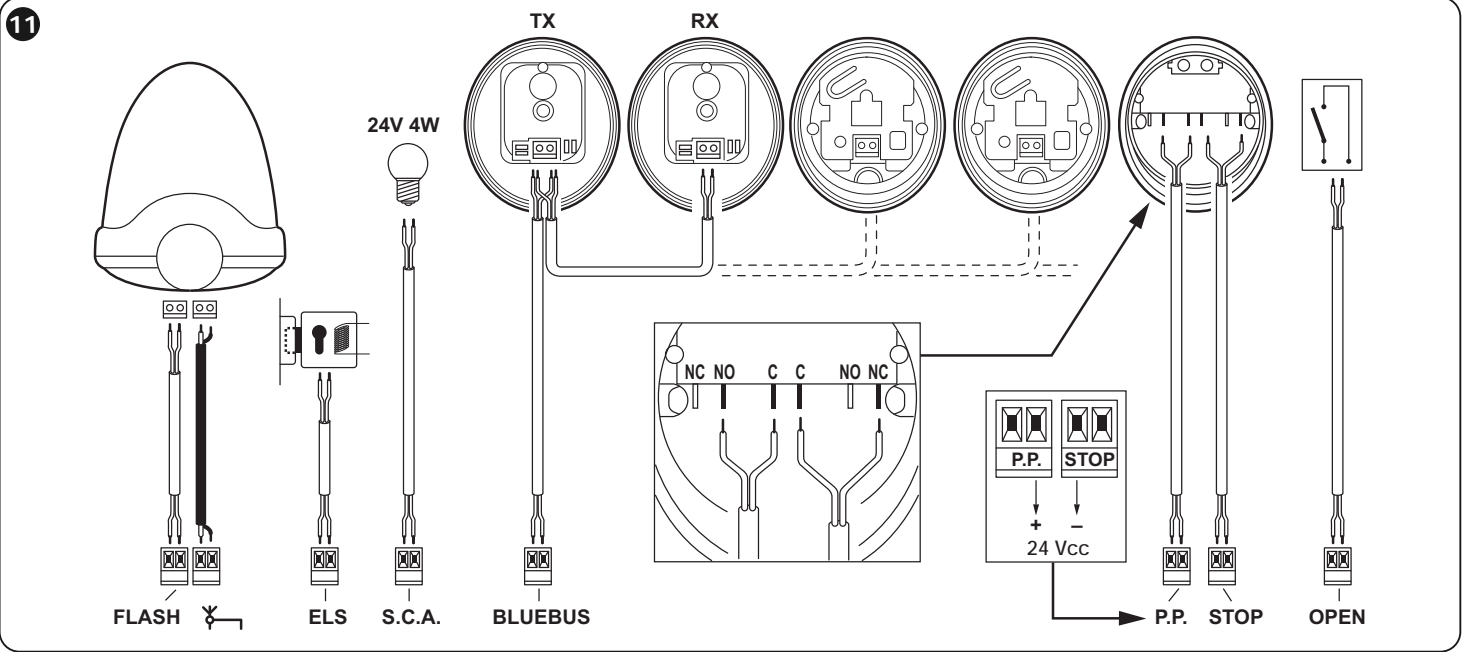


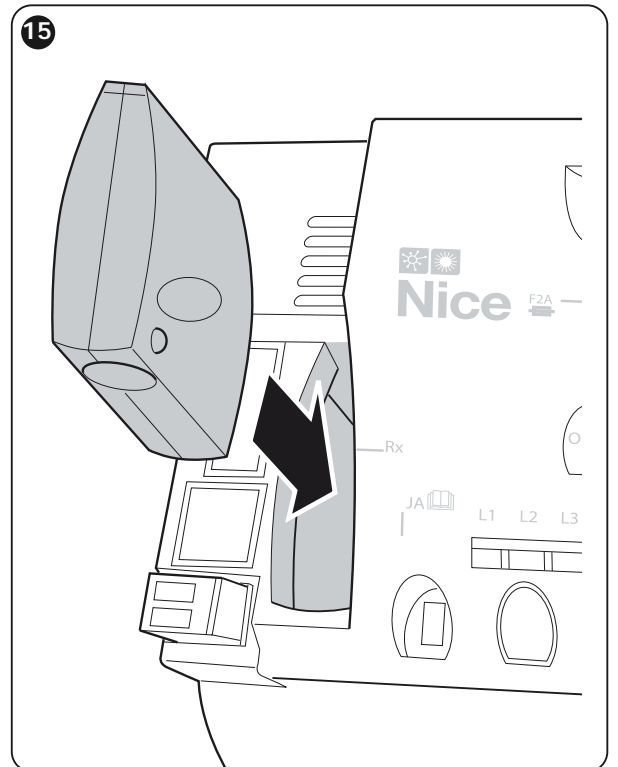
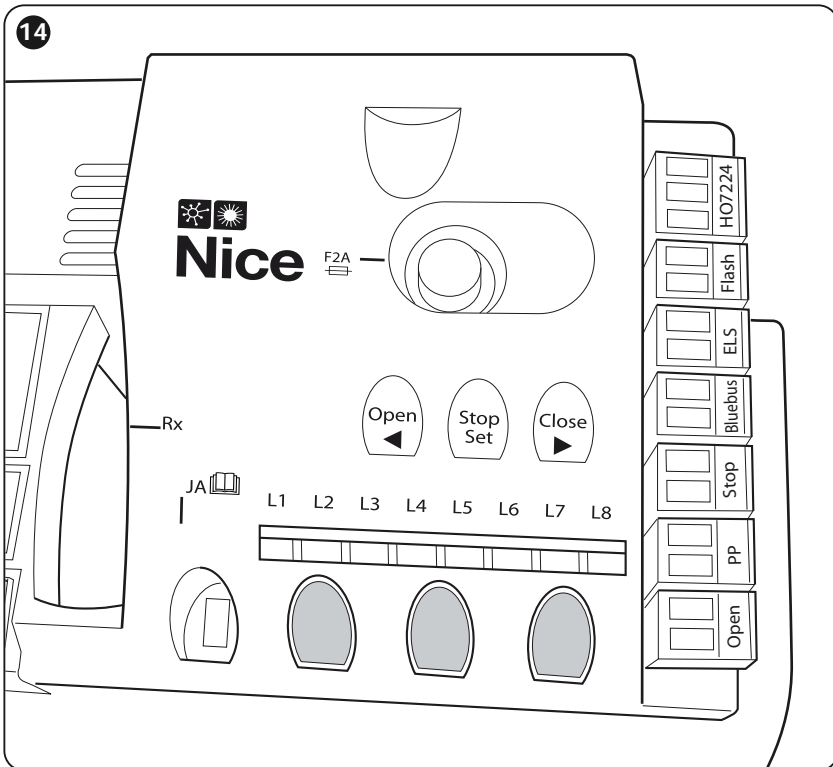
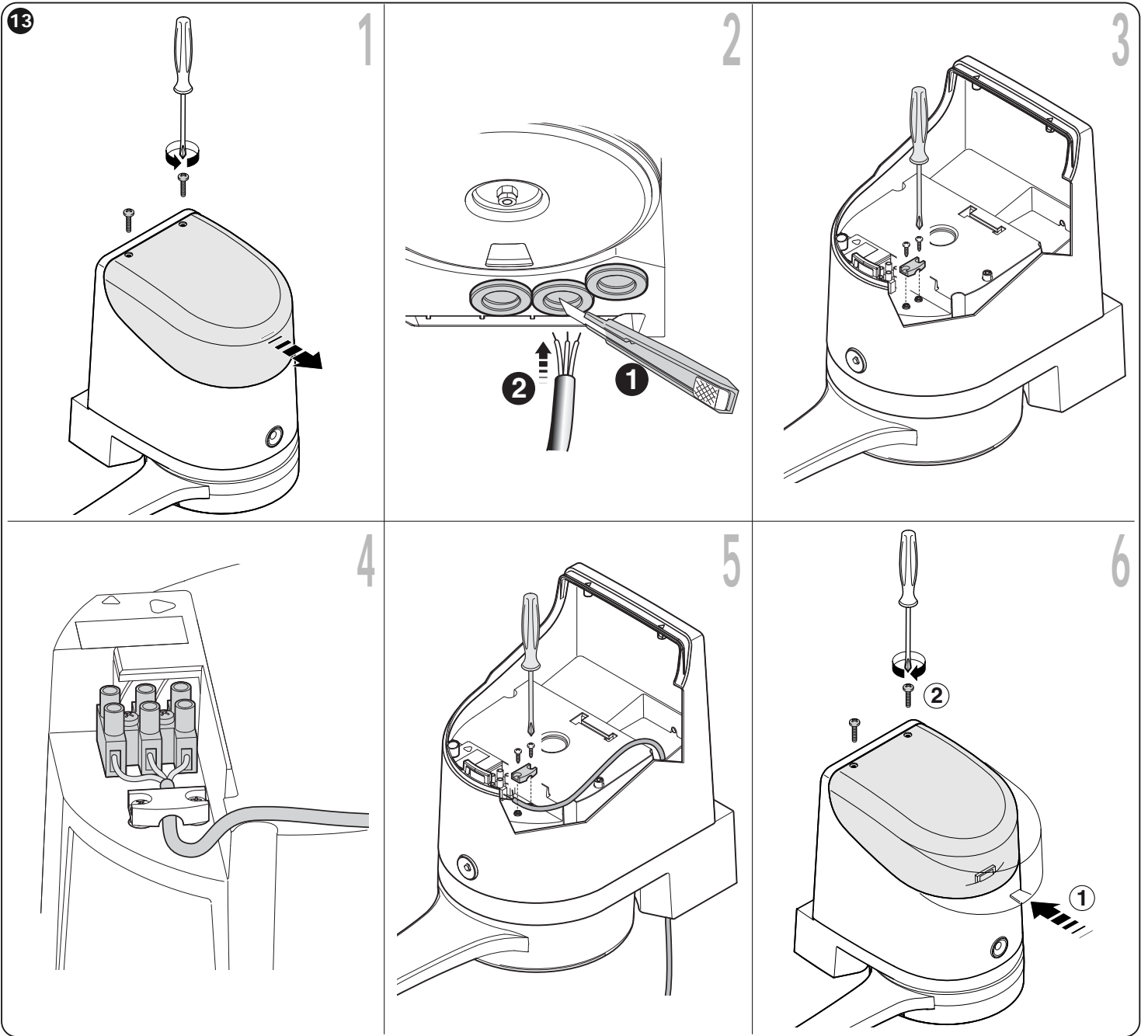
9

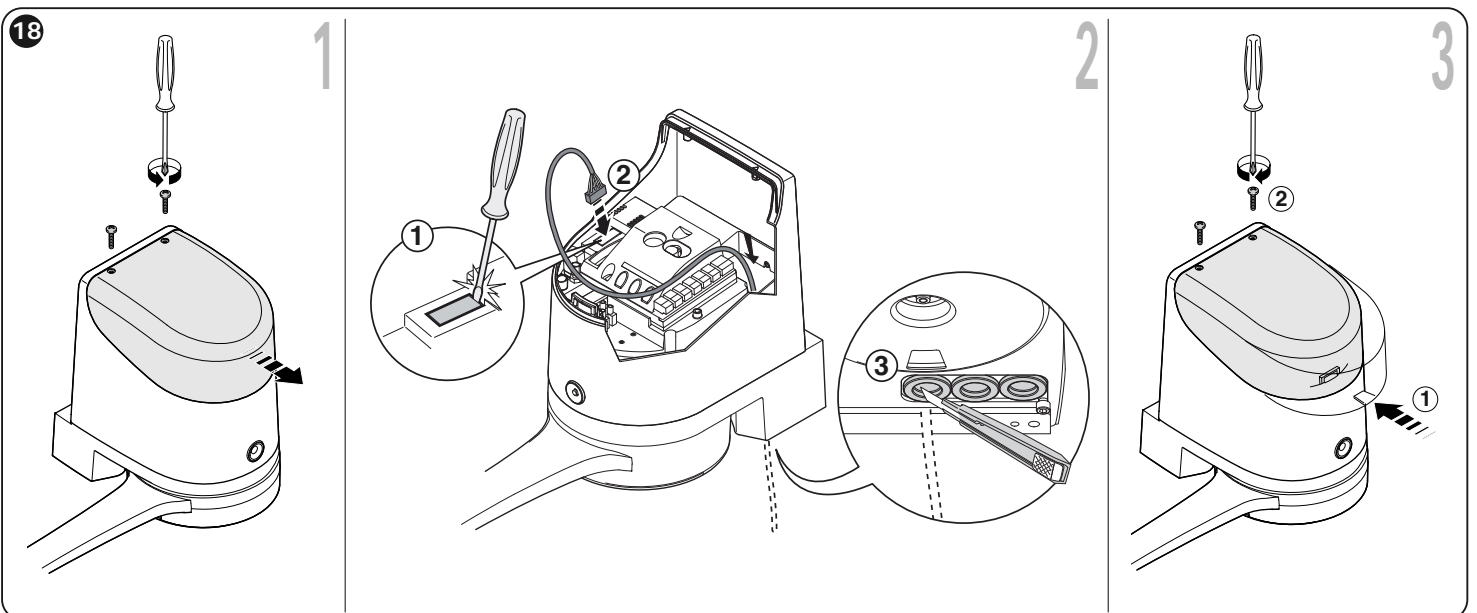
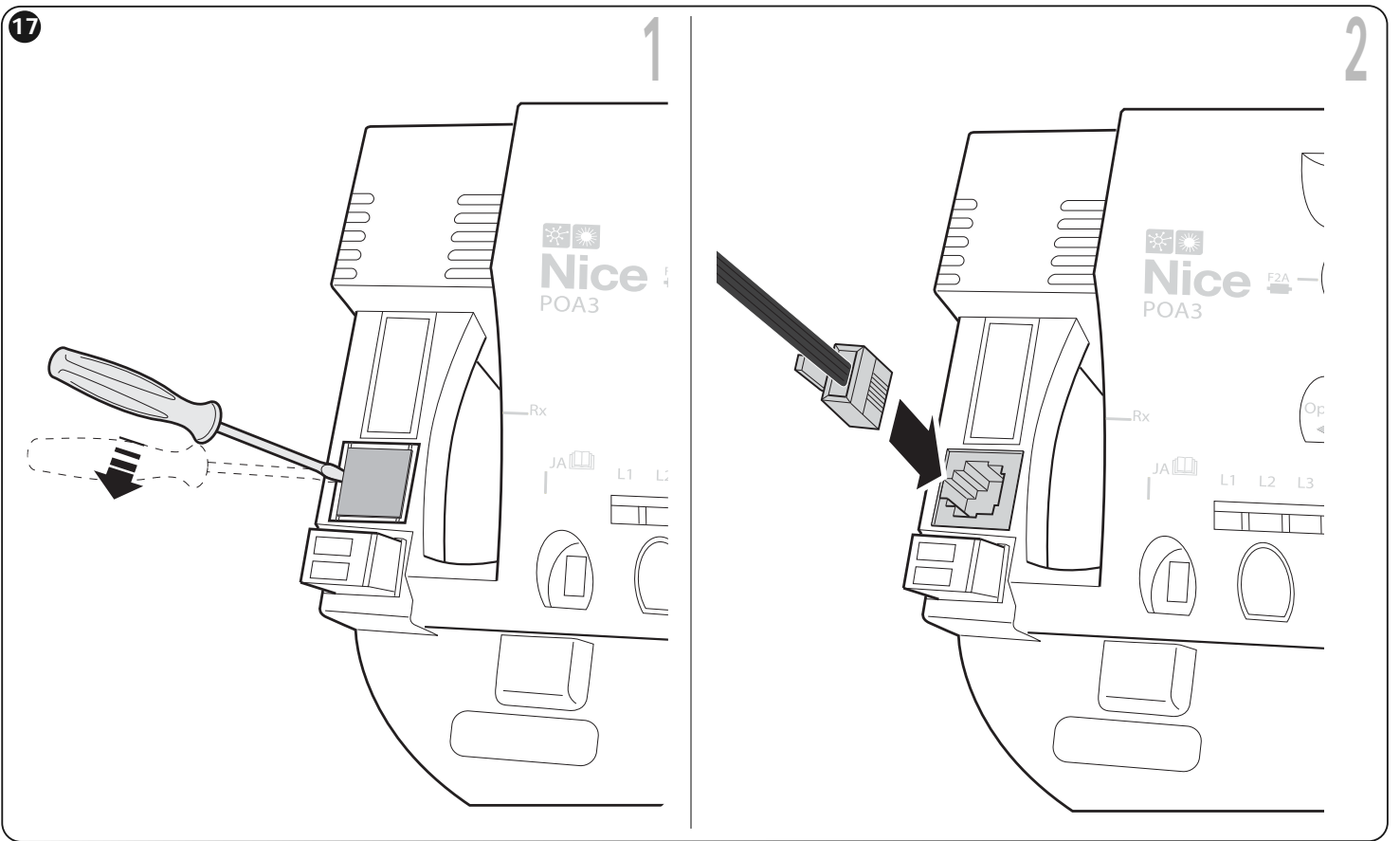
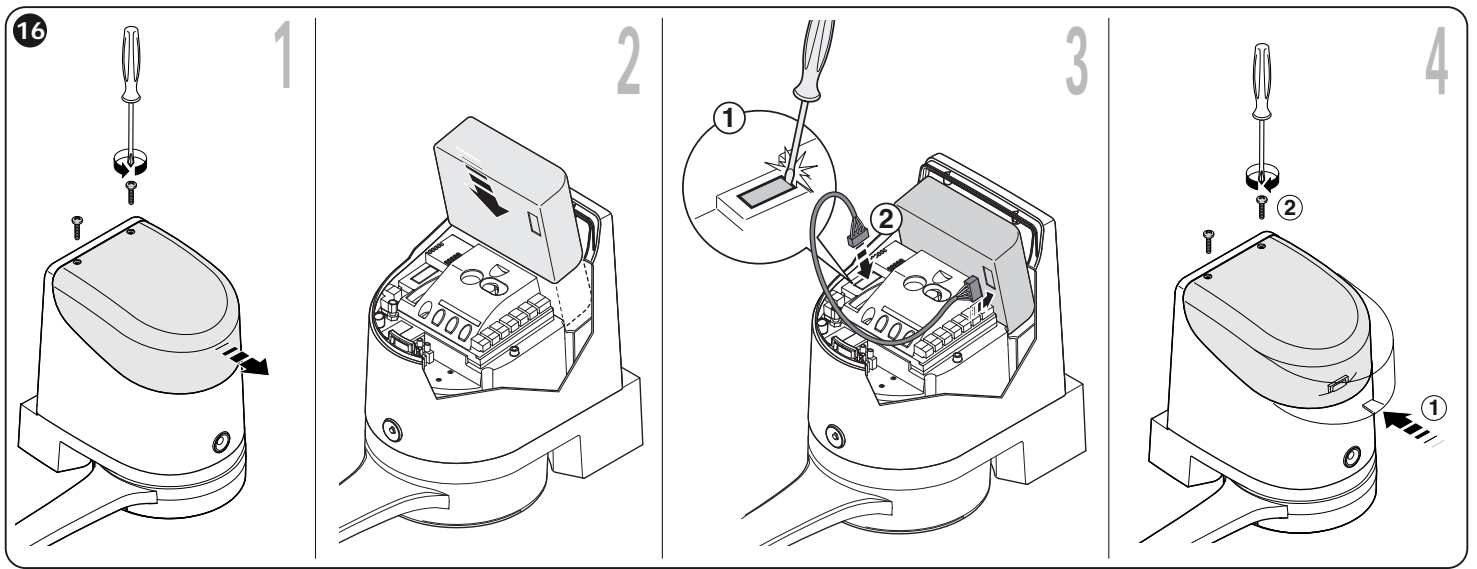


10

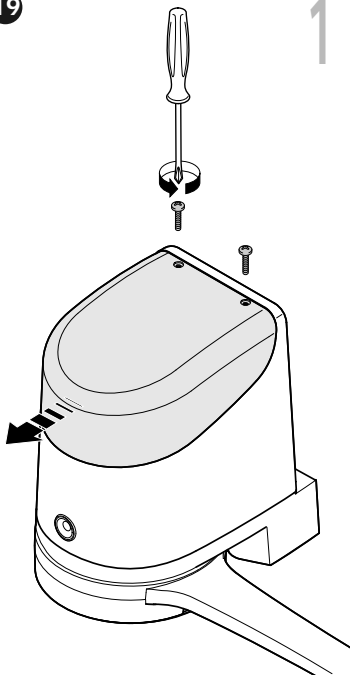




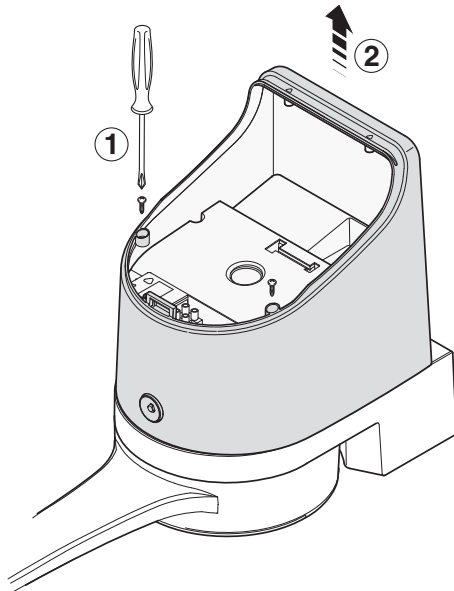




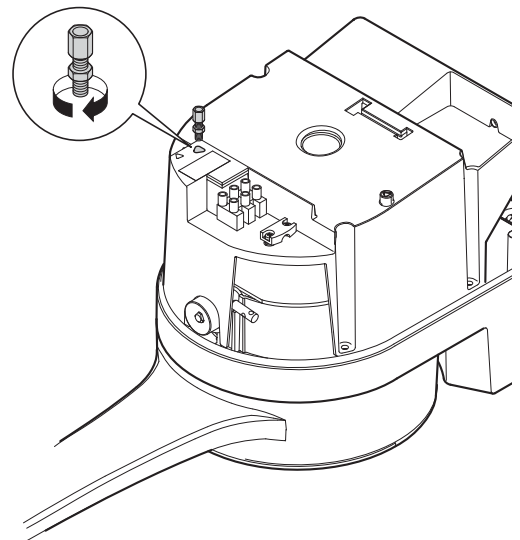
1



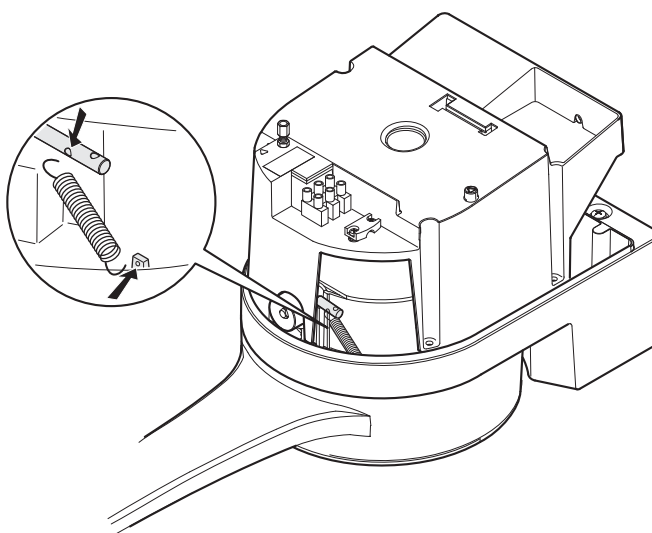
2



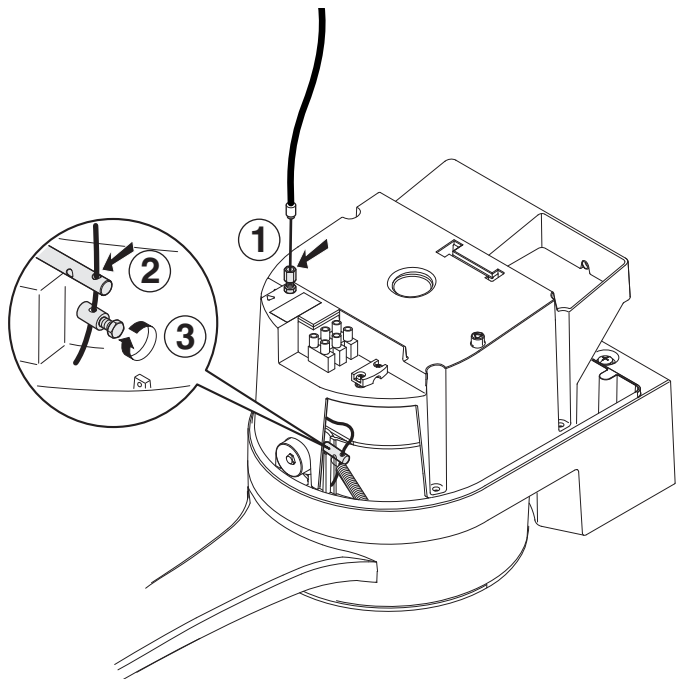
3



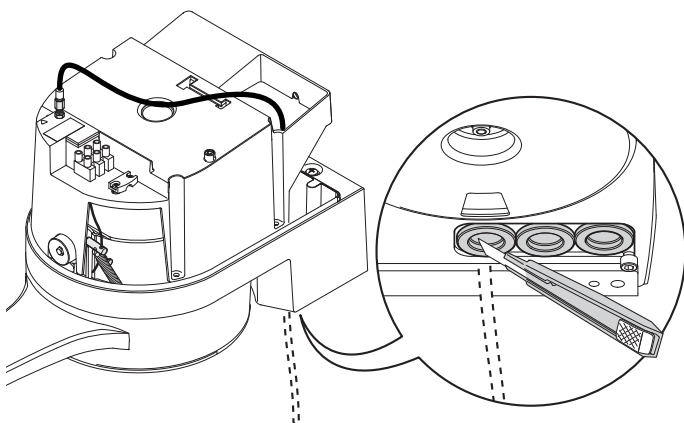
4



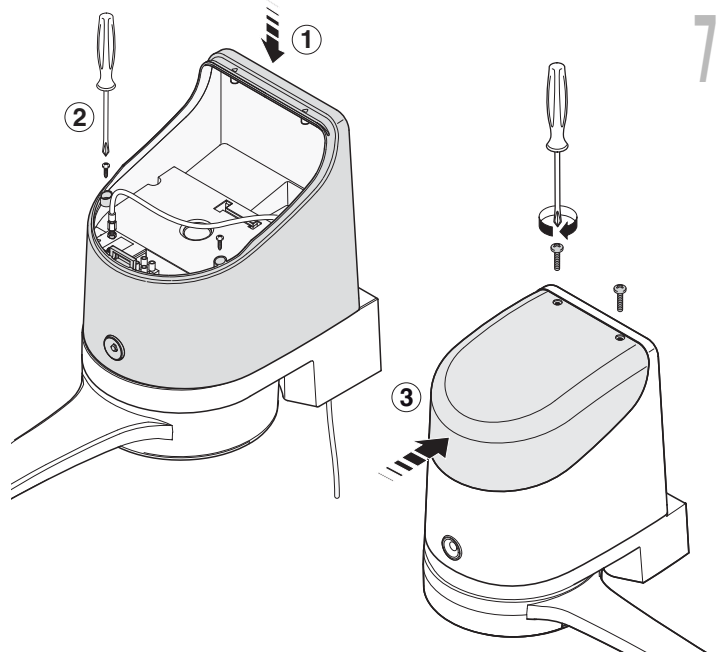
5



6



7





Nice SpA
Oderzo TV Italia
info@niceforyou.com

www.niceforyou.com